

MAXIMUM PRODUCT LOAD RATING: 100 kg 

IMPORTANT:

- **LOAD = WEIGHT OF PLATFORM or BARS + MOUNTING SYSTEM + ACCESSORIES + CARGO**
- **PLEASE REFER TO VEHICLE MANUFACTURER SPECIFICATIONS FOR MAX ROOF LOAD CAPACITY OF VEHICLE. THE LOWEST LOAD RATING APPLIES.**
- **OFFROAD RATING: SCAN QR CODE FOR LOCKNLOAD LOAD RATING GUIDE. REDUCTIONS MAY APPLY.**



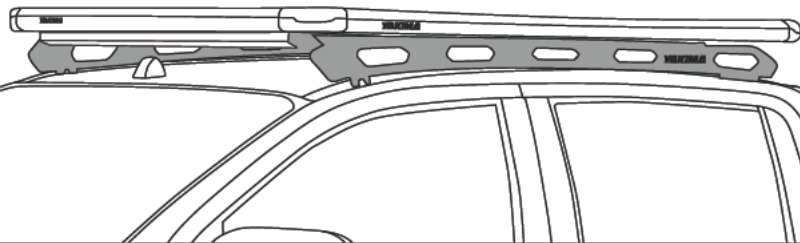
FIRST TIME INSTALLATION

- Please read instructions carefully before installation.
- Check the contents of kit. Each LockNLoad RuggedLine has the last four digits of the kit's part number lasered in. Contact your YAKIMA dealer if any parts appear missing, incorrect or damaged.
- Clean your roof thoroughly prior to fitting the LockNLoad RuggedLine.
- Place these instructions in the vehicle's glove box after installation is complete.



TOOLS REQUIRED:

- 10 mm Socket Wrench
- 13 mm Spanner

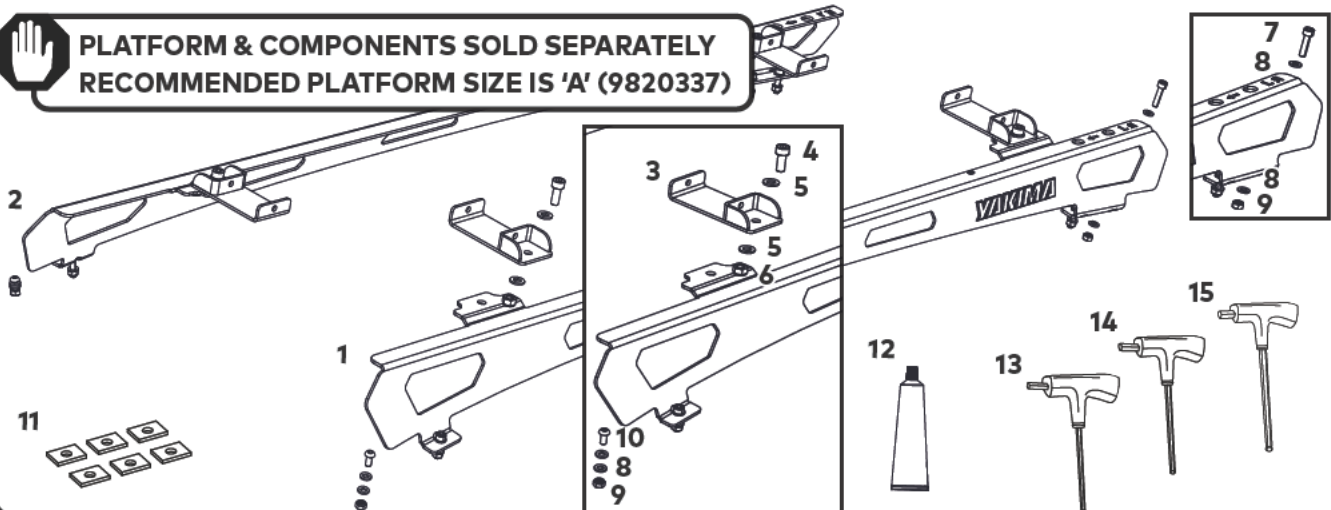


KIT CONTENTS

ITEM	COMPONENT	QTY	ITEM	COMPONENT	QTY
1.	Wildtrak RuggedLine LH 1011	x1	9.	M6 Nyloc Nut	x8
2.	Wildtrak RuggedLine RH 1011	x1	10.	M6 Button Head Cap Screw	x2
3.	Pivot Bracket	x4	11.	Foam Adhesive	x6
4.	M8 Socket Head Cap Screw 20 mm	x4	12.	Silicone Sealant	x1
5.	M8 Washer	x8	13.	4 mm T-Handle Ball End Allen Key	x1
6.	M8 Nyloc Nut	x4	14.	5 mm T-Handle Ball End Allen Key	x1
7.	M6 Socket Head Cap Screw 25 mm	x6	15.	6 mm T-Handle Ball End Allen Key	x1
8.	M6 Washer	x16			



PLATFORM & COMPONENTS SOLD SEPARATELY
RECOMMENDED PLATFORM SIZE IS 'A' (9820337)

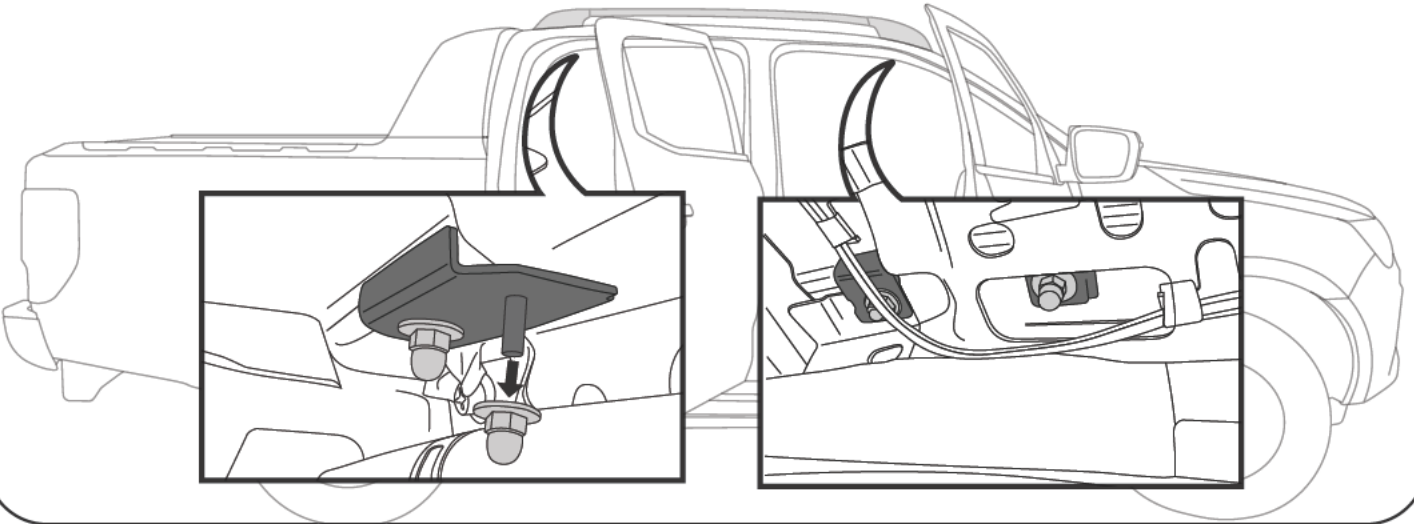


REMOVING FACTORY RAISED ROOF RAILS

1 REMOVE RAIL HARDWARE.

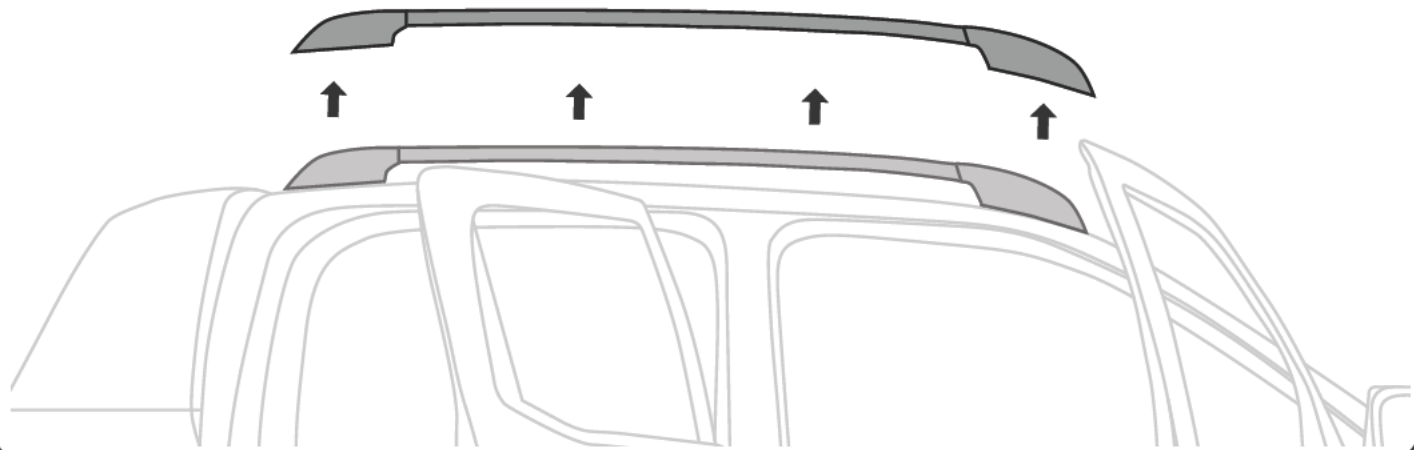
Before the factory roof rails can be removed, you will need to arrange for the roof lining to be carefully removed to provide access to the rail nuts. These are only accessible from the underside of the roof.

Once the lining has been removed, unscrew the factory nuts to remove the roof rails. There are x2 nuts for each rail end to be removed as shown.



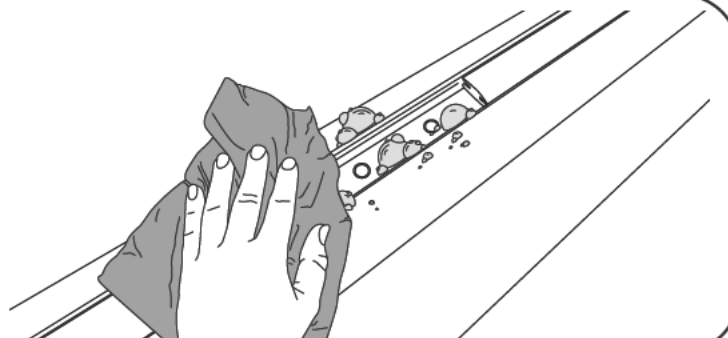
2 REMOVE RAILS.

Carefully lift roof rails directly upwards and remove from the roof.



3 CLEAN ROOF.

Wipe clean any dirt that may have built up in and around all mounting holes.

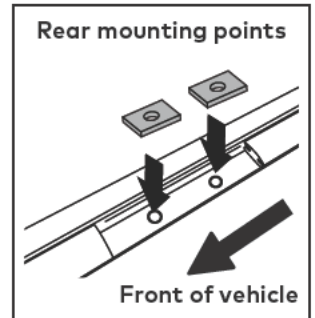
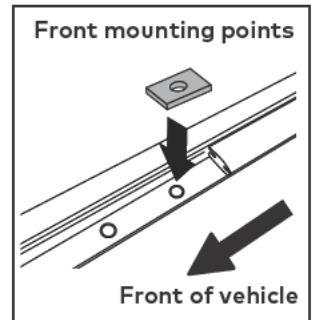
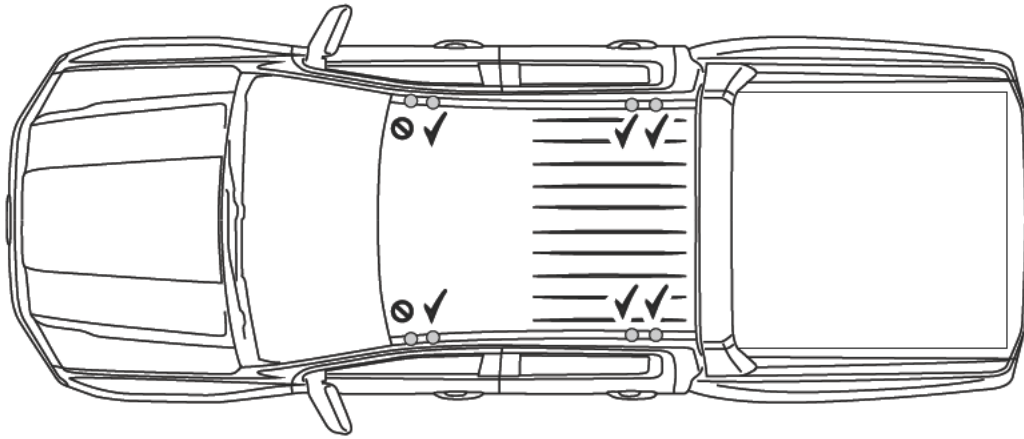


MOUNTING RUGGEDLINE

1

AFFIX FOAM ADHESIVE.

Apply the 6 Foam Adhesive pieces, x2 over the rear most mounting holes at the front of vehicle and x4 over the mounting holes at the rear of vehicle. Apply with adhesive side to vehicle.

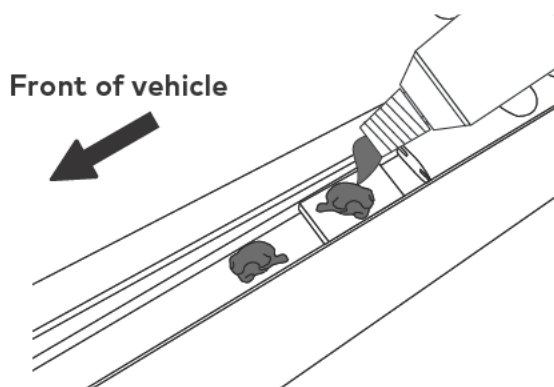


2

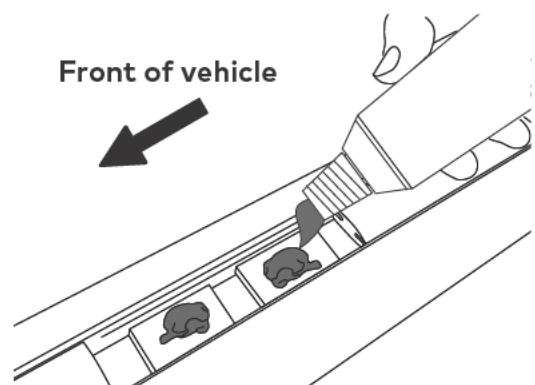
APPLY SILICONE SEALANT.

Liberal apply the supplied Silicone Sealant to the inside surface and on top of each hole **on one side of vehicle.**

Front mounting points



Rear mounting points



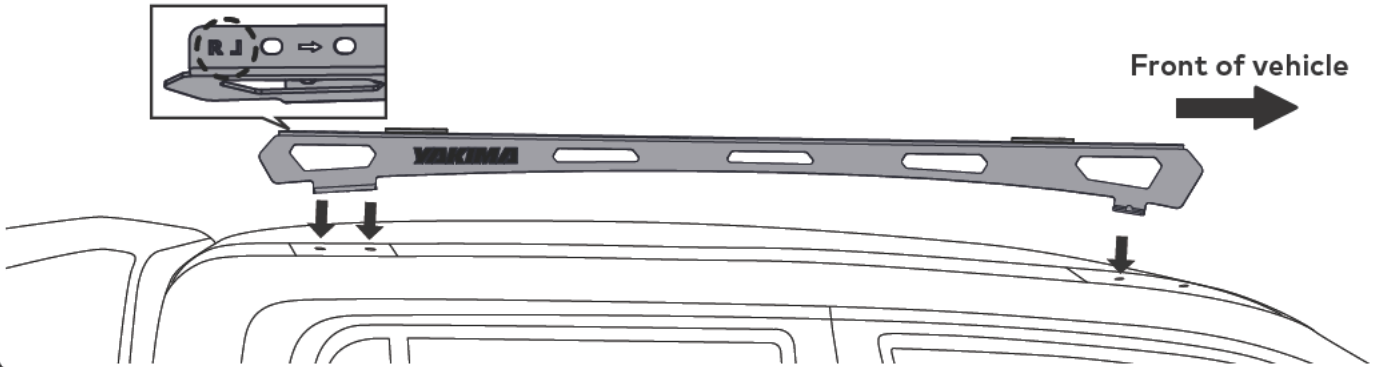
!

FACTORY SNORKEL.

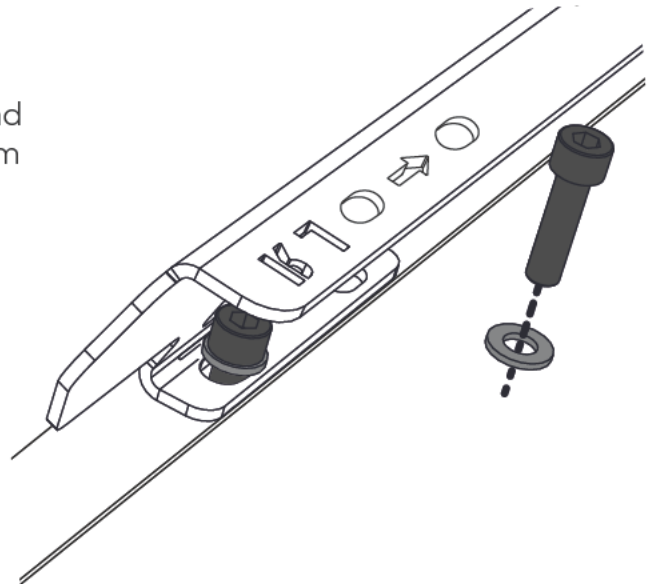
RuggedLine can be installed in conjunction with a factory Snorkel. The RuggedLine can sit on top of the Snorkel bracket.

3**POSITION RUGGEDLINE ON VEHICLE ROOF.**

Referring to the left-right orientation on top of each RuggedLine, carefully place one side of the RuggedLine onto vehicle roof as shown. Line up the mounting holes on the bottom tabs to those exposed on the roof.

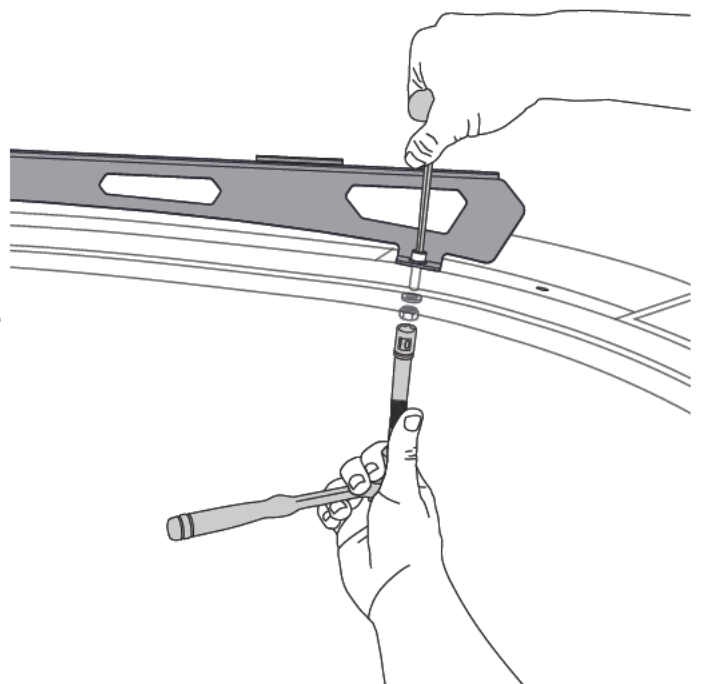
**4****ASSEMBLE RUGGEDLINE HARDWARE.**

Assemble the 25 mm M6 Socket Head Cap Screw and M6 Washer as shown and place into all 3 mounting holes on bottom tabs of RuggedLine. Ensure hardware and holes align with the holes on roof.

**5****TIGHTEN RUGGEDLINE HARDWARE.**

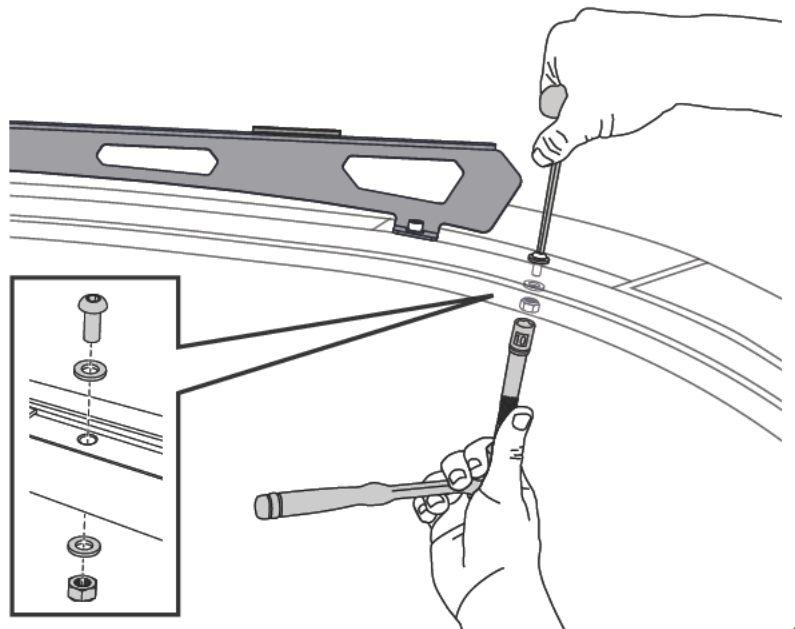
Using the 6 mm T-Handle Ball End Allen Key, start to carefully secure the RuggedLine by tightening the M6 Socket Head Cap Screws to 4 Nm into the mounting holes in roof.

Using a 10 mm Socket Wrench, secure from the inside of the roof using an M6 Washer and M6 Nyloc Nut.



6 FILL IN FRONT HOLE.

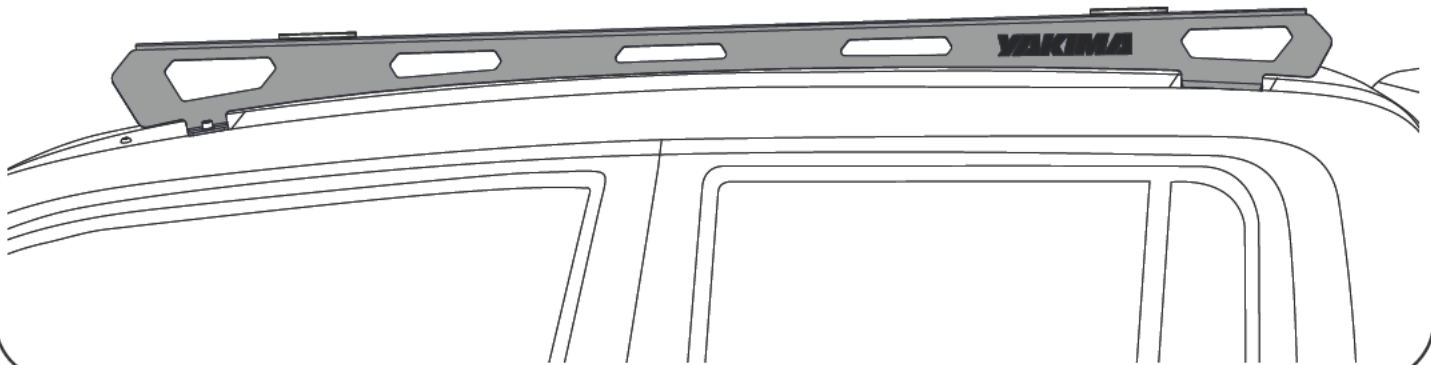
Using a x1 M6 Button Head Cap Screw, x2 M6 Washers and x1 M6 Nyloc Nut, repeat the process to fill in the front hole in vehicle roof.



7 REPEAT STEPS TO OPPOSITE SIDE.

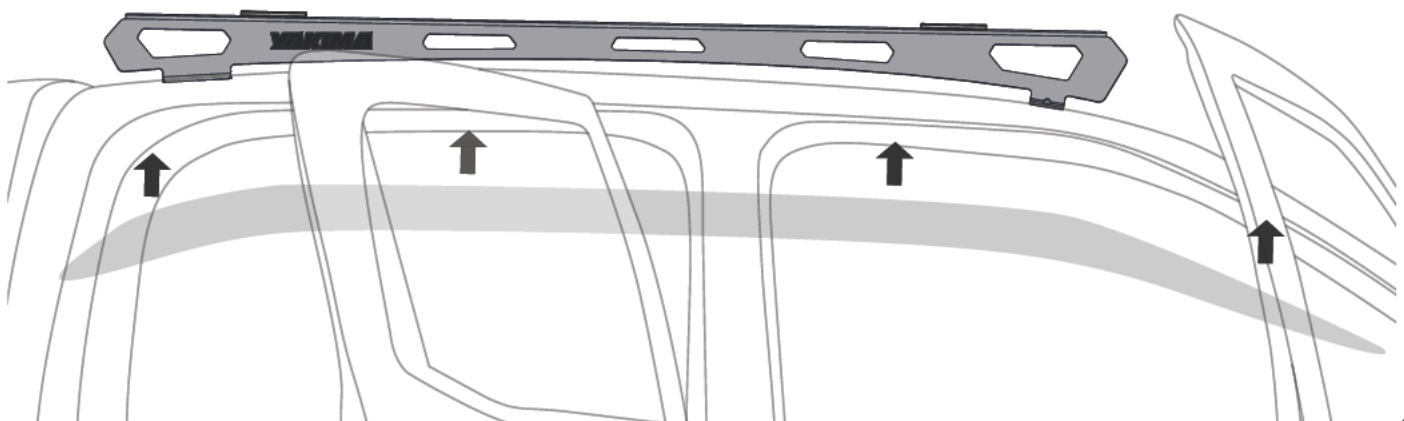
Repeat steps 2-6 for securing the opposite side RuggedLine.

Ensure RuggedLine is securely positioned on the vehicle roof. Check each screw is secure before proceeding to install LockNLoad Platform to RuggedLine.



8 REPLACE ROOF LINING.

Replace the vehicle roof lining removed at the beginning of installation.



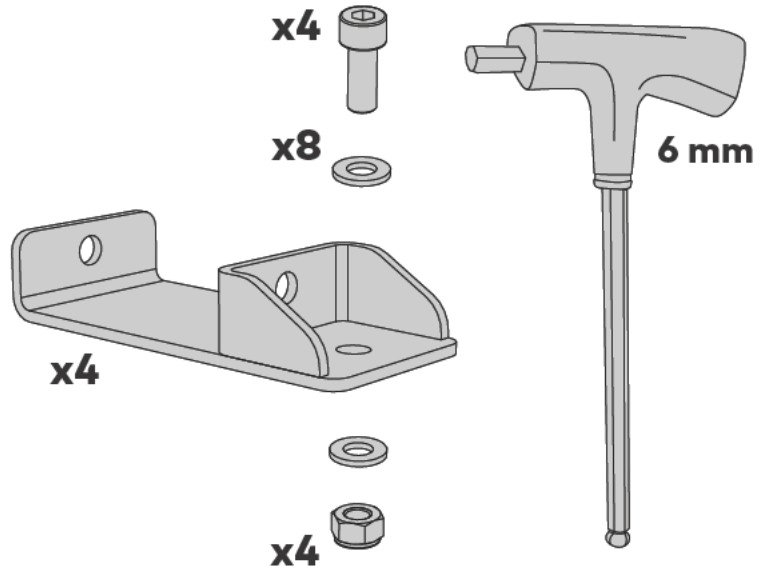
9

PIVOT BRACKET ASSEMBLIES.

Retain the 6mm T-Handle Ball End Allen Key and not yet installed Pivot Brackets, M8 x 20 mm Socket Head Cap Screws, M8 Nyloc Nuts and M8 Washers.



These components will be required for mounting your LockNLoad Platform to your newly installed RuggedLine



NOW SWITCH TO YOUR LOCKNLOAD PLATFORM INSTRUCTIONS AND CONTINUE FROM THE 'RUGGEDLINE MOUNTING INSTRUCTIONS' PAGE.

This page intentionally left blank



www.yakima.com.au
www.yakima.co.nz
www.yakima.com
www.yakima.eu

YAKIMA AUSTRALIA PTY LTD

17 Hinkler Court
Brendale, QLD 4500
Australia
1800 143 548

YAKIMA PRODUCTS, INC.

4101 Kruse Way
Lake Oswego, OR
97035-2541
USA
888 925 4621
yakima.com/support