



LockNLoad™ Flush Rail Mounting Kit

ISUZU D-MAX / MAZDA BT-50 GEN 3 DOUBLE CAB
FLUSH RAIL HEAVY DUTY ROOF RACK SYSTEM

MAXIMUM PRODUCT LOAD RATING: 100 kg 

IMPORTANT:

- **LOAD = WEIGHT OF PLATFORM or BARS + MOUNTING SYSTEM + ACCESSORIES + CARGO**
- **PLEASE REFER TO VEHICLE MANUFACTURER SPECIFICATIONS FOR MAX ROOF LOAD CAPACITY OF VEHICLE. THE LOWEST LOAD RATING APPLIES.**
- **OFFROAD RATING: SCAN QR CODE FOR LOCKNLOAD LOAD RATING GUIDE. REDUCTIONS MAY APPLY.**



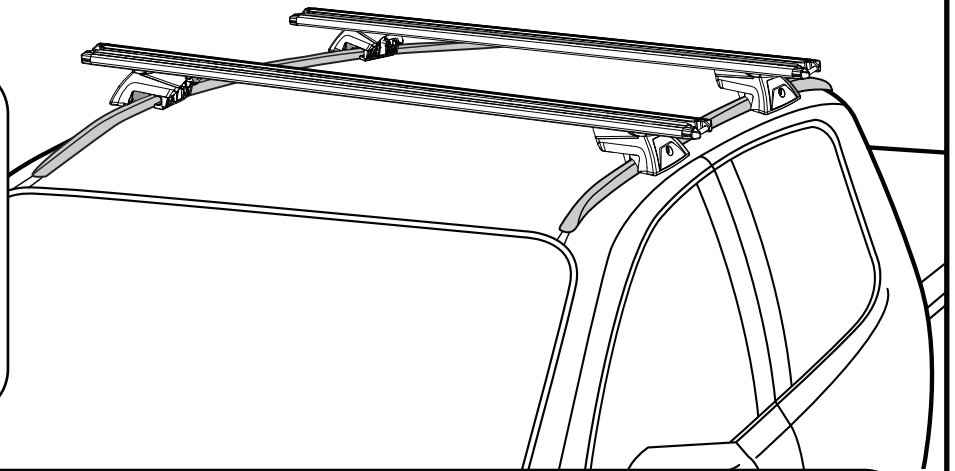
FIRST TIME INSTALLATION

- Please read instructions carefully before installation.
- Check the contents of kit. Contact your YAKIMA dealer if any parts appear missing or damaged.
- Clean your roof thoroughly prior to fitting the LockNLoad Flush Rail Heavy Duty Roof Rack System.
- Place these instructions in the vehicle's glove box after installation is complete.



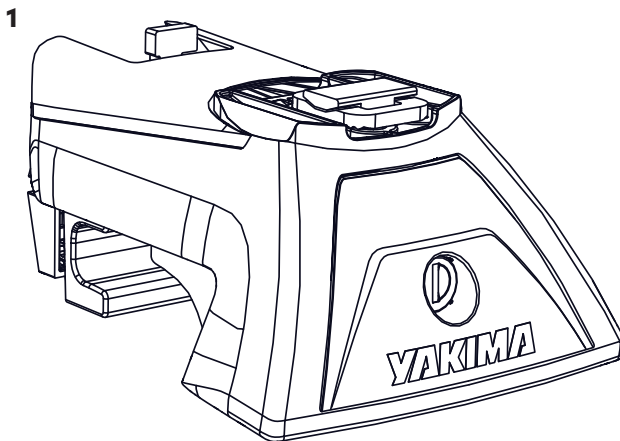
TOOLS REQUIRED:

- 4 mm Ball End Allen Key
- 5 mm Allen Key
- 13 mm Ring Spanner
- #2 Phillips Head Screwdriver
- Scissors
- Tape Measure
- Marking Pen (Optional)
- Torque Wrench (Optional)



KIT CONTENTS

ITEM	COMPONENT	QTY	ITEM	COMPONENT	QTY
1.	Flush Rail Leg Assembly	x4	2.	Key Set	x1



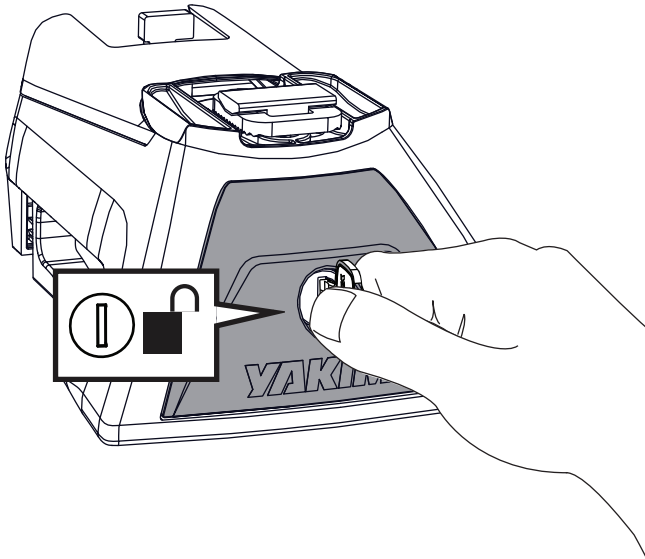
LEG AND BAR COMPONENTS SOLD SEPARATELY

9831007

INSTALLATION OF LOCKLOAD CROSSBARS

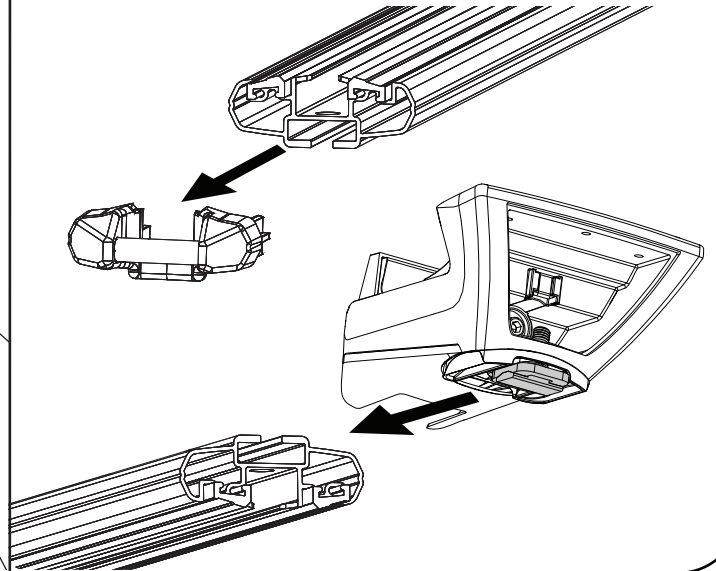
1 REMOVE LEG COVERS

Using the keys supplied, remove all Leg Covers.



2 INSERT LEGS

Remove the End Caps from LockNLoad Bars (sold separately) and slide Leg assemblies into the underside channel of each of the Bars.

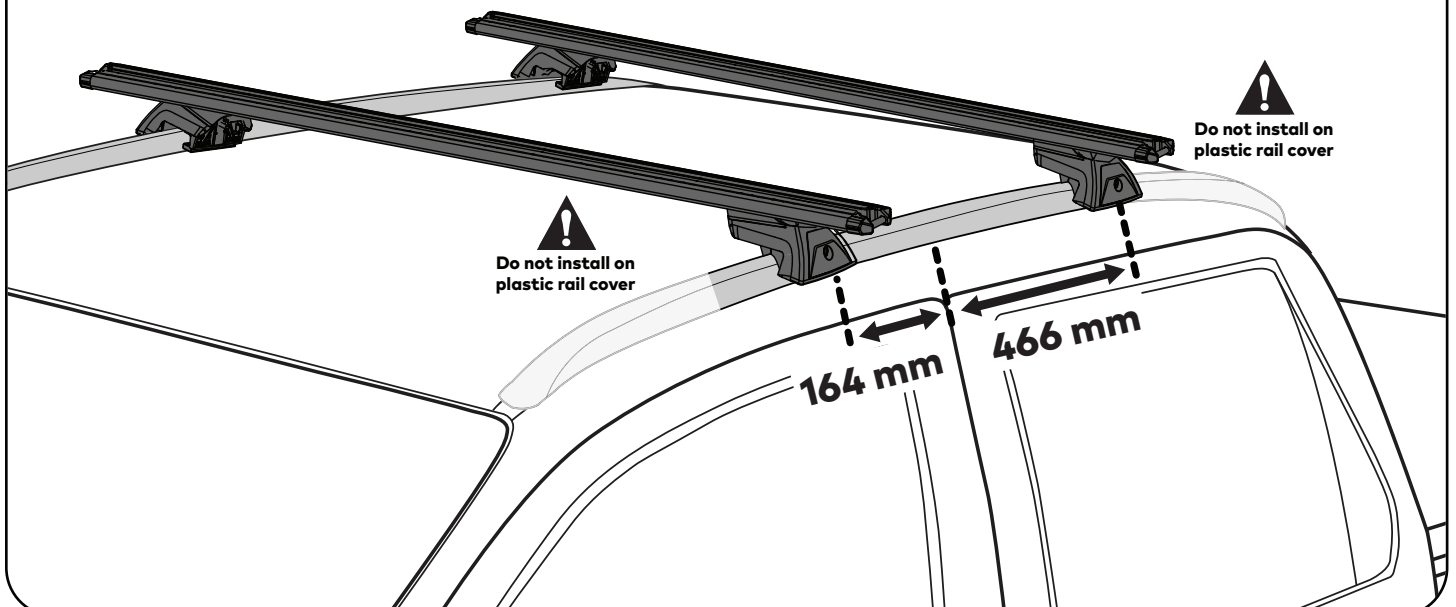


3 BAR LOCATION

IMPORTANT: Before beginning Bar installation, identify where along the rail the front and rear Bars should be fitted. **Bar Legs should only be placed on aluminum rail. Do not place Bar Legs on plastic rail covers.**

Position front Legs onto the vehicle rail so that they are centred 164 mm forward from rear of front door.

Position rear Legs onto the vehicle rail so that they are centred 466 mm behind the rear of front door.



4

BAR PLACEMENT

Carefully place Bar assembly onto vehicle. **Take care not to damage vehicle.**

Slide Legs along Bar until foot clamp sits snug against vehicle rail.

Secure the Claw assembly to the vehicle rail using a 5 mm hex driver, torqued to 4 Nm. Due to the geometry of the flush rail, a small gap may appear between clamp and rail. This is acceptable and has been tested.

Use a Tape Measure to ensure even Bar overhang on each side, re-adjust if required.

Repeat process for remaining Bar.

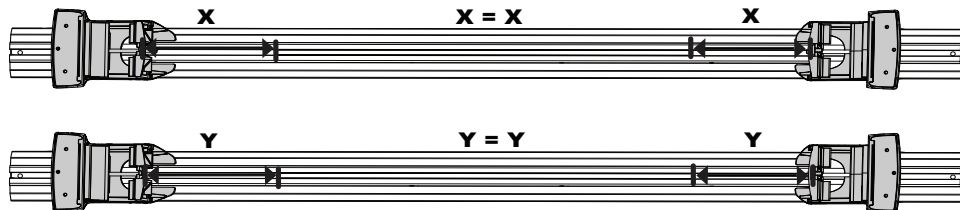


5

CHECK BAR SLOT MEASUREMENTS

Using a Tape Measure, record Leg to underside slot distance of each Bar in the table (right). Ensure measurement is taken from the centre of the Legs as shown. The ends of each bar should be the same measurement respectively, if not, repeat Step 4.

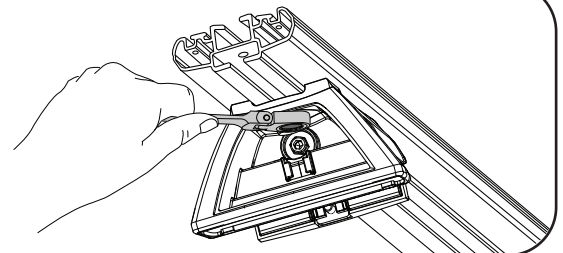
BAR SLOT MEASUREMENTS	
Front Bar (X)	Rear Bar (Y)
_____mm x2	_____mm x2



6

SECURE LEGS TO BARS

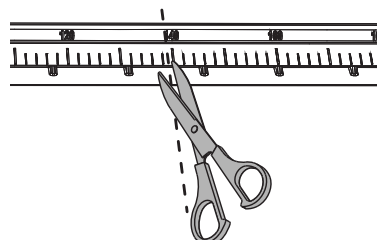
Given that the pivot assembly allows for degrees of freedom, check all plates are evenly arranged and bars are in the desired position/angle before tightening M8 Hex Nut to 7 Nm.



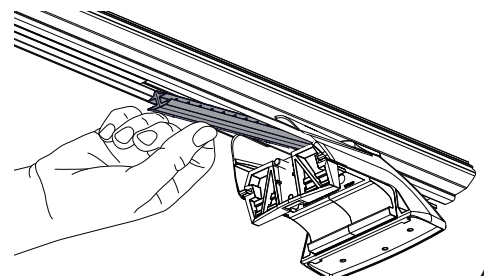
7

BAR SLOT COVERS

Cut Bar Slot Covers as per measurements recorded in the table on Step 5 and push into underside channel of front and rear Bar ends as shown.



NOTE - Bar Slot Covers to be inserted with flat side visible.

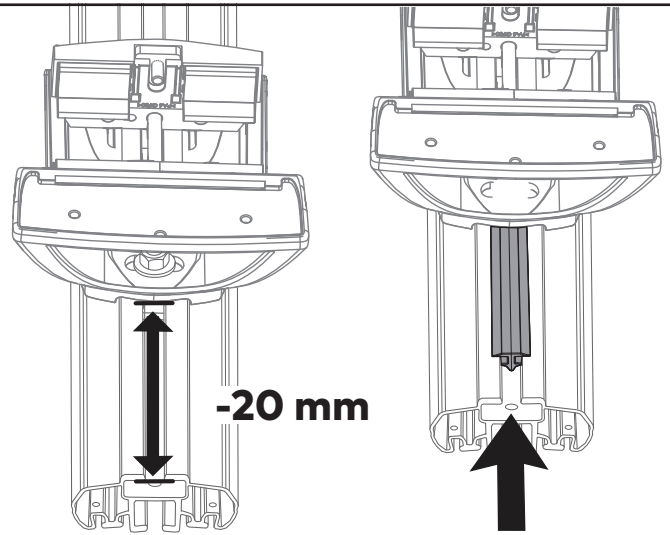


8

BAR SLOT COVERS (OUTSIDE LEG)

Measure the Bar channel outside of the Legs and subtract 20 mm from this measurement.

Using the remaining pieces of Slot Cover from Step 7, cut to this length and insert into the underside channel of each Bar end as shown.

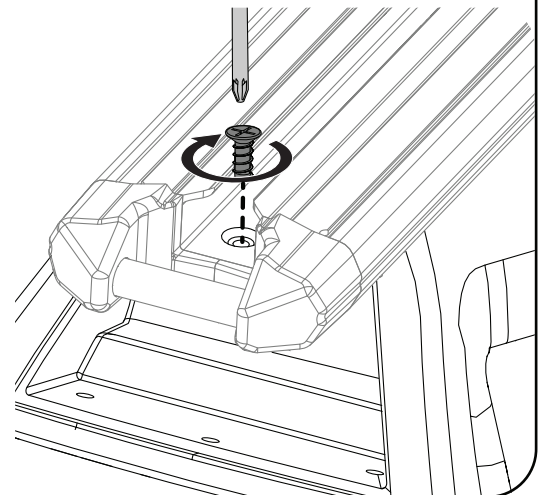
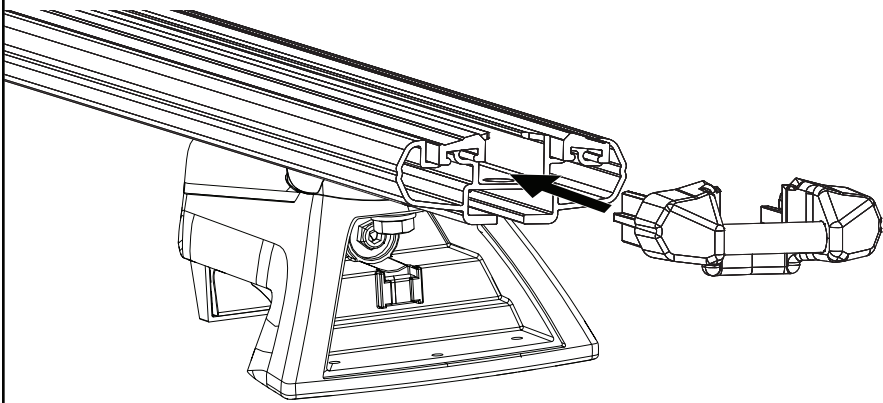


9

SECURE END CAPS TO BARS

Insert the End Caps as shown. A Rubber Mallet can be used to assist installation.

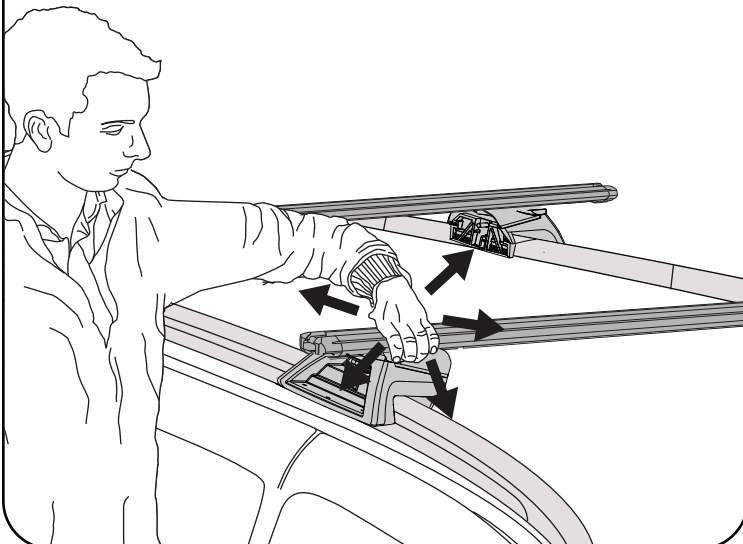
Secure using Plastite Screw. Tighten using a #2 Phillips Head Screwdriver.



10

CHECK BAR LEGS ARE SECURE

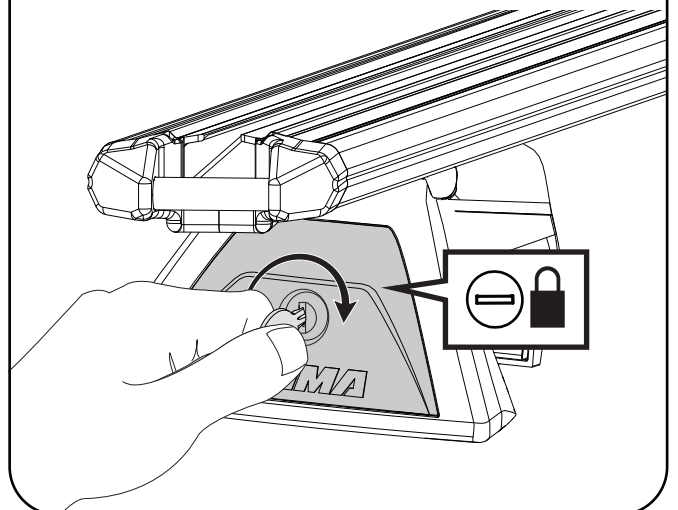
Check all Bars/Legs are secure.



11

FIT LEG COVERS

Using the Keys and Covers supplied in the LockNLoad Leg Kit, fit and lock all Leg Covers.



12

BAR KEYS

Place one key on the vehicle key ring and put the other away safely, or store with the spare vehicle key.

Write the key number (which is stamped on the key) in the box provided. Replacement keys are available from Yakima stockists, visit www.yakima.com.au or www.yakima.co.nz to find your nearest store or contact us directly on 1800 143 548 (AU) or 0800 4776 722 (NZ).

Key Number:



www.yakima.com.au
www.yakima.co.nz
www.yakima.com
www.yakima.eu

YAKIMA AUSTRALIA PTY LTD

17 Hinkler Court
Brendale, QLD 4500
Australia
1800 143 548
yakimaglobal.com

YAKIMA PRODUCTS, INC.

4101 Kruse Way
Lake Oswego, OR
97035-2541
USA
888 925 4621
yakima.com/support