

### MAXIMUM PRODUCT LOAD RATING:



100 kg (sizes A, B, G, I, K, L, S & X)

150 kg (sizes C, D, E, H, J, N, P & U)

### IMPORTANT:

- **LOAD = WEIGHT OF PLATFORM or BARS + MOUNTING SYSTEM + ACCESSORIES + CARGO**
- **PLEASE REFER TO VEHICLE MANUFACTURER SPECIFICATIONS FOR MAX ROOF LOAD CAPACITY OF VEHICLE. THE LOWEST LOAD RATING APPLIES.**
- **OFFROAD RATING: SCAN QR CODE FOR LOCKNLOAD LOAD RATING GUIDE. REDUCTIONS MAY APPLY.**



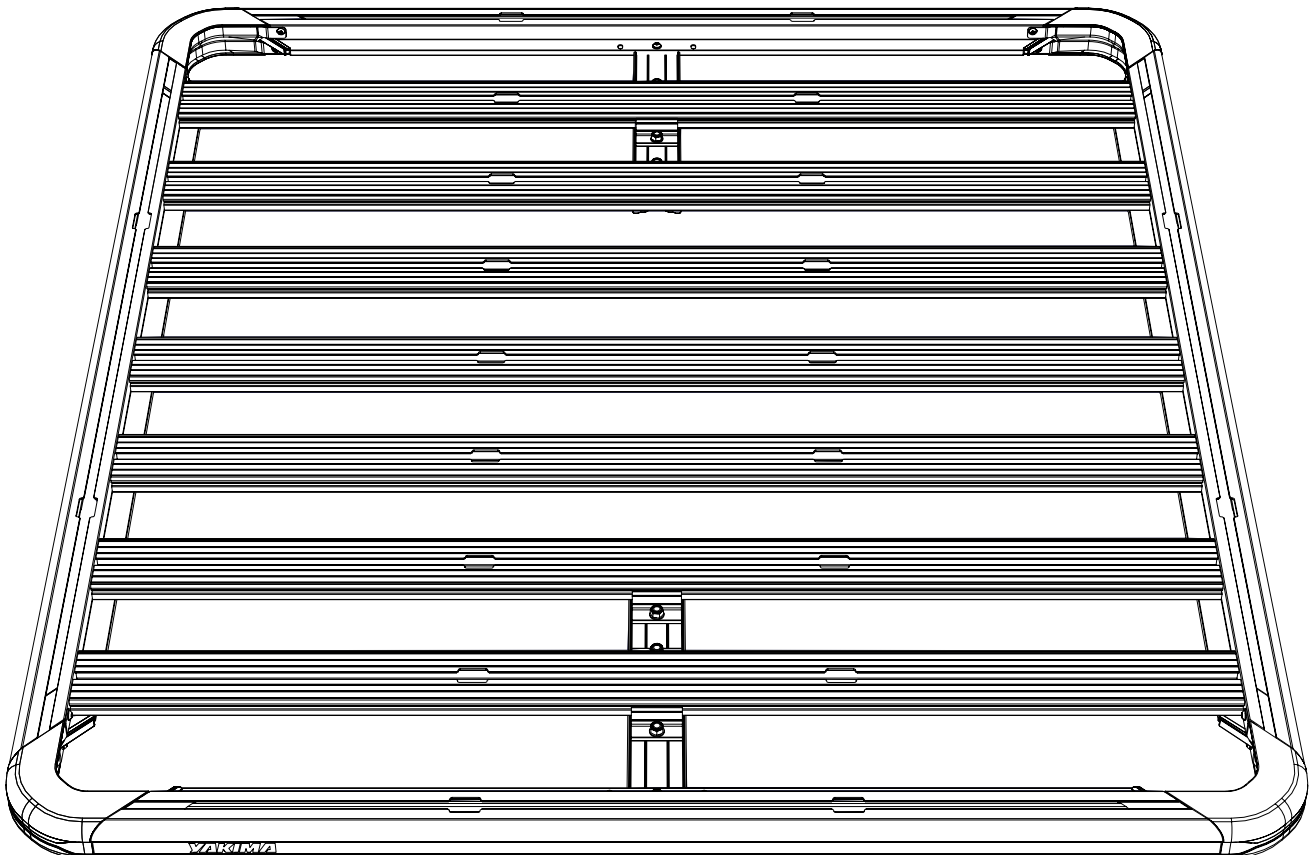
## FIRST TIME INSTALLATION

- Please read instructions carefully before installation.
- Check the contents of kit. Contact your YAKIMA dealer if any parts appear missing or damaged.
- Clean your vehicle roof prior to fitting the LockNLoad Platform.
- Use caution when handling Platform Sides, Ends and Slats as sharp edges may be present.
- Images throughout show a 7 Slat Platform, indicative of Platform sizes A and B. Please note other Platforms will have differing amounts of slats and hardware.
- Place these instructions in the vehicle's glove box after installation is complete.



### TOOLS REQUIRED:

- 4 mm Ball End Allen Key or Torque Wrench
- 13 mm Socket Wrench or Spanner



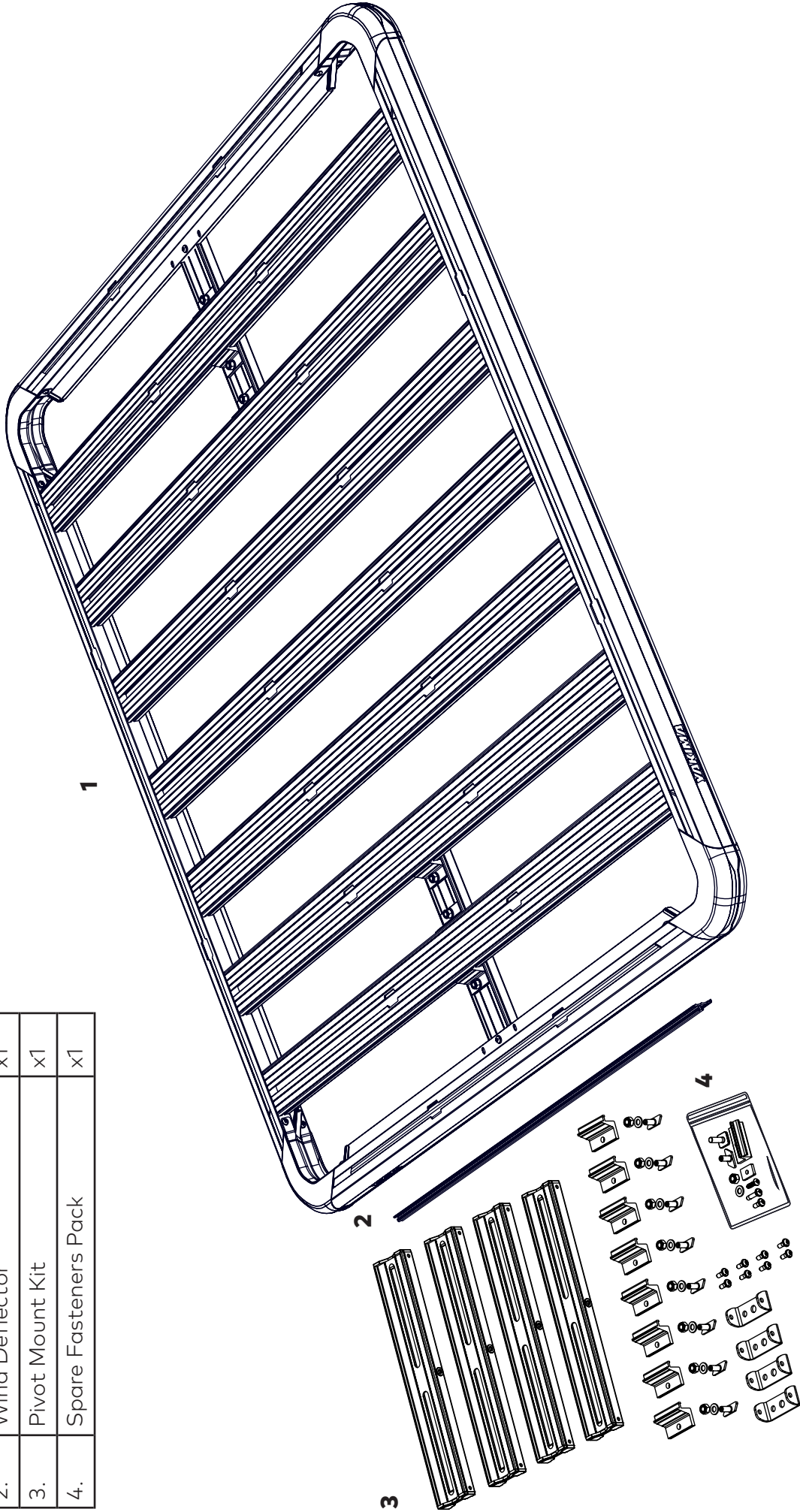
# KIT CONTENTS

ITEM	COMPONENT	QTY
1.	Pre-Assembled Platform	x1
2.	Wind Deflector	x1
3.	Pivot Mount Kit	x1
4.	Spare Fasteners Pack	x1

Platform A - 9820337  
 Platform B - 9820338  
 Platform C - 9820339  
 Platform D - 9820340  
 Platform E - 9820341  
 Platform G - 9820343

Platform H - 9820344  
 Platform I - 9820345  
 Platform K - 9820347  
 Platform L - 9820348  
 Platform N - 9820373

Platform P - 9820375  
 Platform S - 9820378  
 Platform U - 9820380  
 Platform X - 9820383

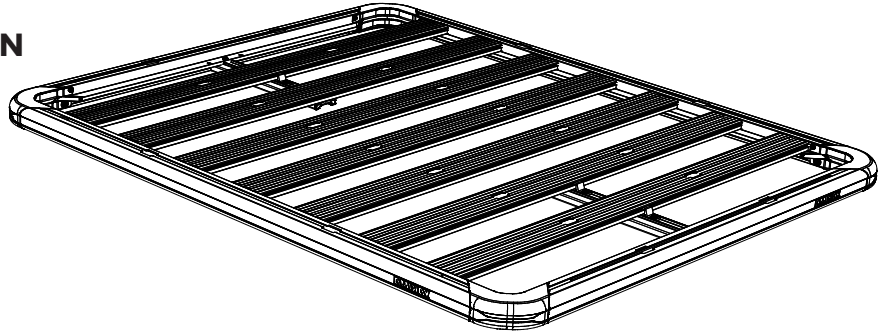


**NOTE -** 7 Slat Platform shown, indicative of Platform sizes A and B.

# 1

## REMOVE ASSEMBLED PLATFORM FROM CARTON

**NOTE** - 7 Slat Platform shown - indicative of sizes A and B.

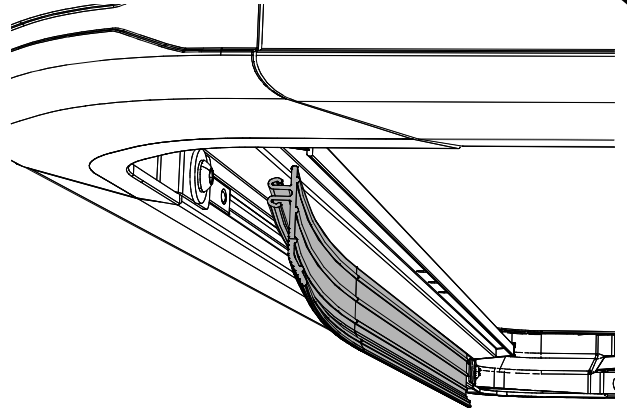


# 2

## INSTALL WIND DEFLECTOR

Install wind deflector into front of Platform. This is done by pressing one end of the deflector into the slot and working across the length of the deflector.

Installation should be confirmed by hearing an audible 'CLICK' when the deflector is fully installed.



**PLEASE REFER (i) TO INFO AT TOP OF PAGE 4, AND; (ii) TO STEPS IN TABLE BELOW:**

NAME	IMAGE	LEG PACK PART NUMBER	PAGE	STEPS
Fixed & Track Mount Mk2		9800302 / 9800304 / 9800306	4 + 4 & 5	Special Note + 1 to 5
Fixed & Track Mount Mk1		8000142 / 8000143 / 8000144	4 + 6	Special Note + 1 to 4
Flush Rail		8002001 with 8000367	4 + 4 & 5	Special Note + 1 to 5
Gutter Mount		8000350/8000351/8000352	4 + 6	Special Note + 1 to 4
Raised Rail		8000389	4 + 5	Special Note + 5 only

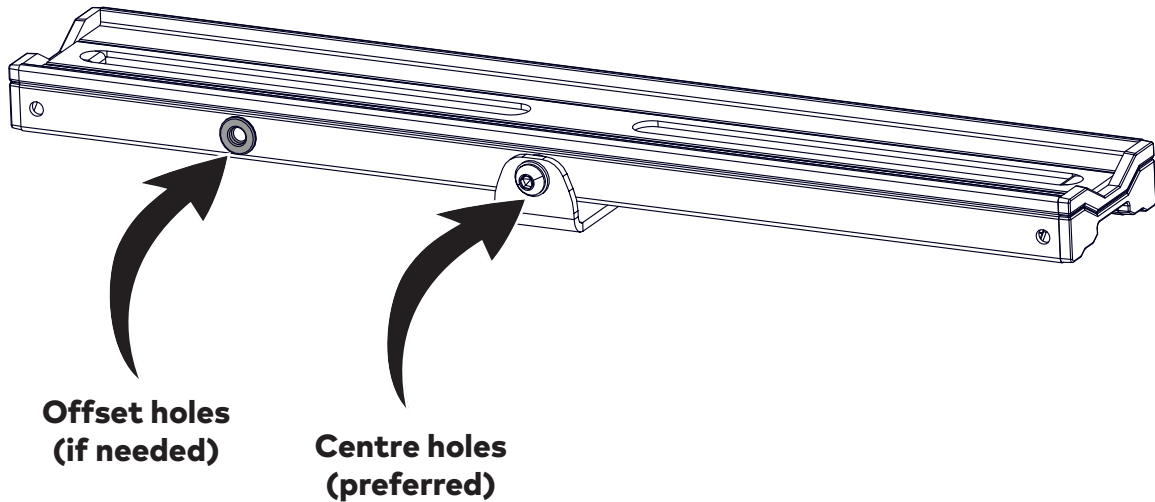


## SPECIAL NOTE

Your Pivot Mounts have two sets of mounting holes. Where possible, keep the centre holes for mounting.

If extra clearance is needed due to Platform-to-roof fitment needs, the offset holes can be used.

Refer to step 4 *Disassemble Mounting Block Assemblies* on page 5.

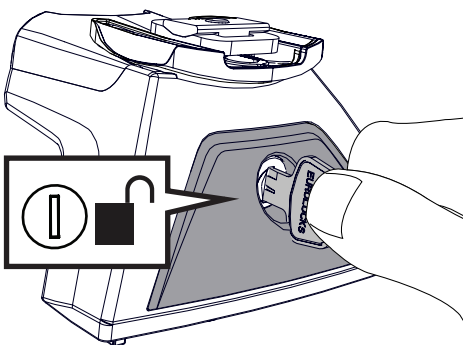


## LEG MOUNTING INSTRUCTIONS

**1**

### REMOVE LEG COVERS

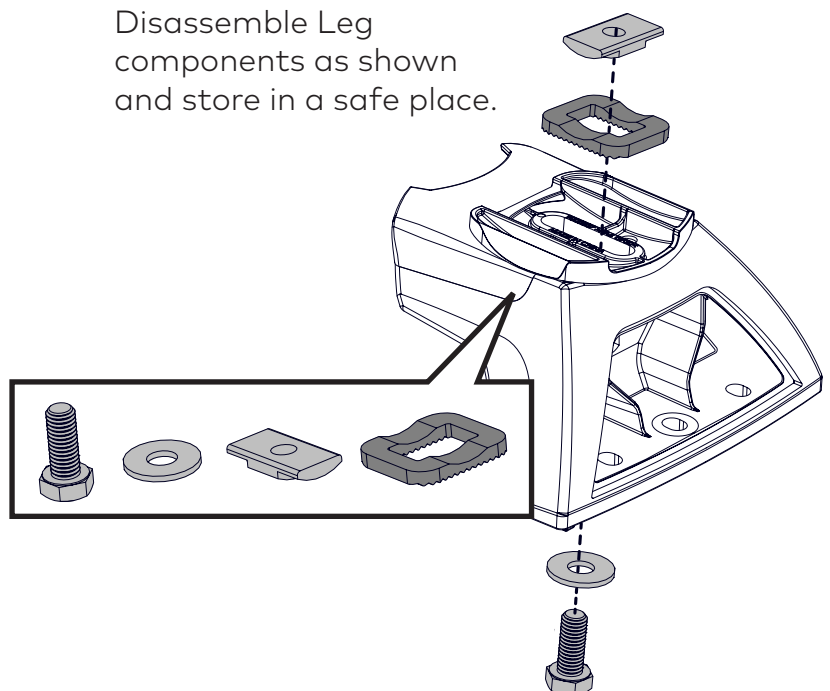
Using the keys supplied in the LockNLoad Leg Kit (sold separately), remove all Leg Covers.



**2**

### DISASSEMBLE LEG ASSEMBLIES

Disassemble Leg components as shown and store in a safe place.



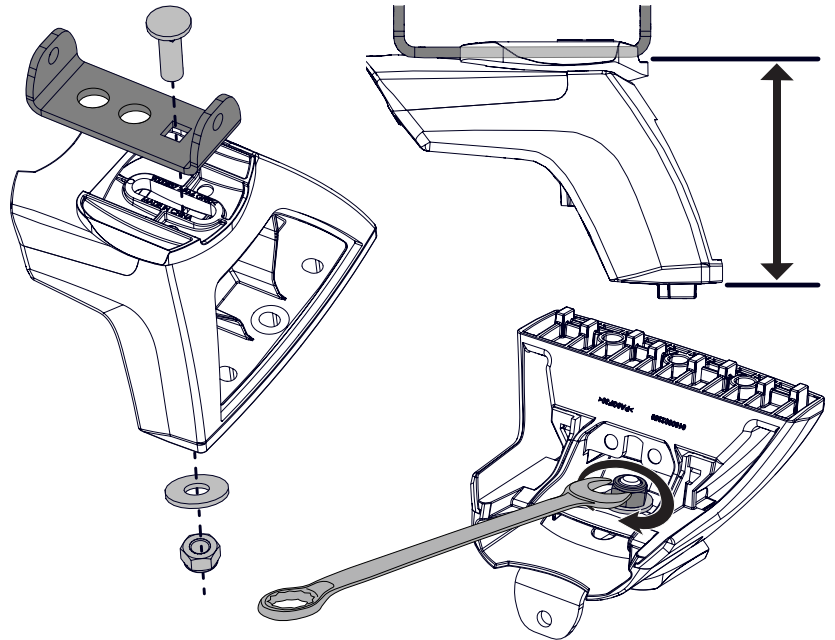
### 3

#### ASSEMBLE LEGS

Assemble each Leg as shown using one Platform Mount Bracket, M8 Coach Bolt, M8 Washer and M8 Nut from the LockNLoad Leg Kit.

All Brackets should be parallel with the base of the Leg prior to tightening.

Tighten all M8 nuts to 9 Nm using a 13 mm Spanner.



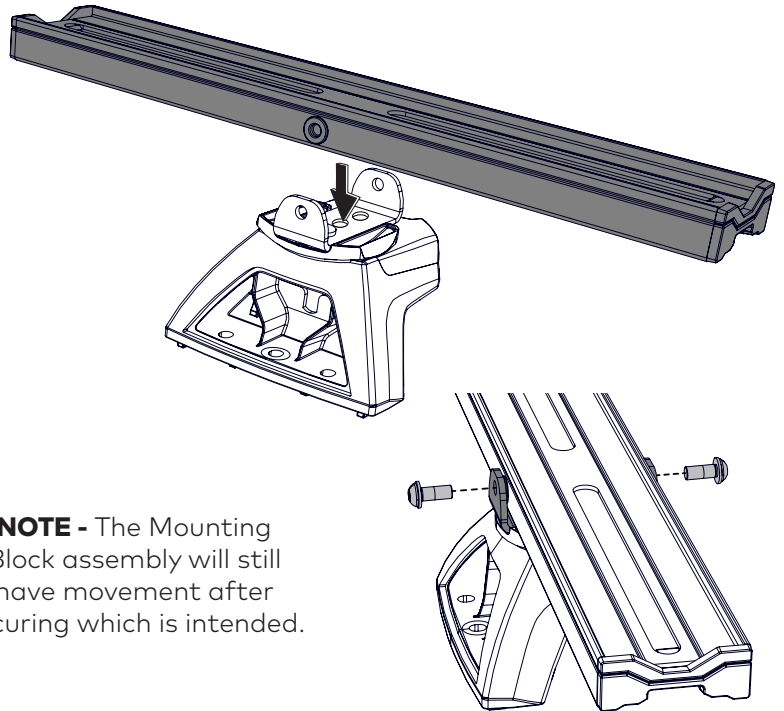
### 4

#### INSTALL MOUNTING BLOCKS

Place Mounting Block on top of each Leg assembly, lining up the rivnut holes on Mounting Block with holes on tabs of Platform Mount Bracket.

Secure using the two M6 Capscrews with Washers from the previous step.

Tighten all Capscrews to 4 Nm with a 4 mm Ball End Allen Key or a suitable Torque Wrench.



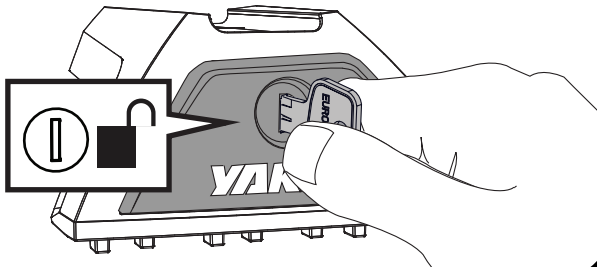
**NOTE** - The Mounting Block assembly will still have movement after securing which is intended.

**PLEASE PROCEED TO PAGE 7 FOR  
VEHICLE MOUNTING INSTRUCTIONS**

# LEG MOUNTING INSTRUCTIONS

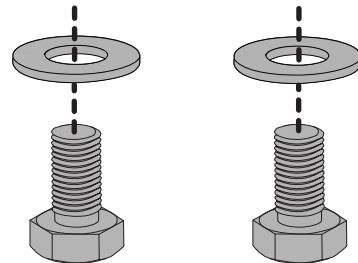
## 1 REMOVE LEG COVERS

Using the keys supplied in the LockNLoad Leg Kit (sold separately), remove all Leg Covers.



## 2 ASSEMBLE SCREWS

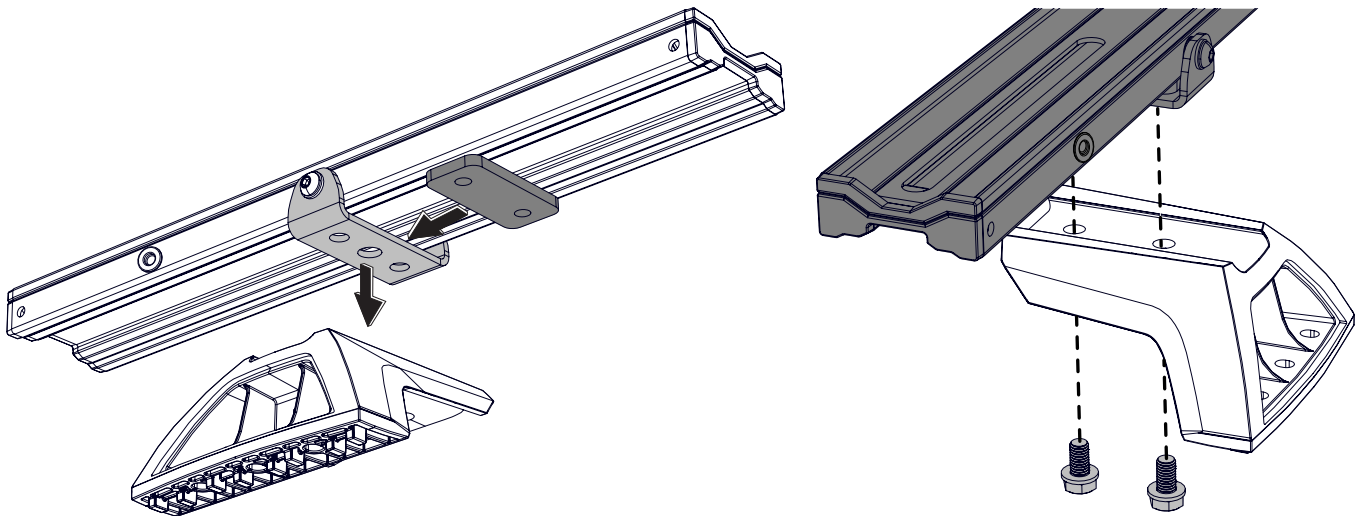
From the Leg Kit, assemble one M8 Washer onto each M8 Set Screw 16 mm as shown.



## 3 INSTALL MOUNTING BLOCK ASSEMBLIES

Place a Mounting Block assembly (from Pre-Assembled Platform Kit) on top of each Leg and insert Nut Plate (from Leg Kit) on top of Mounting Bracket as shown.

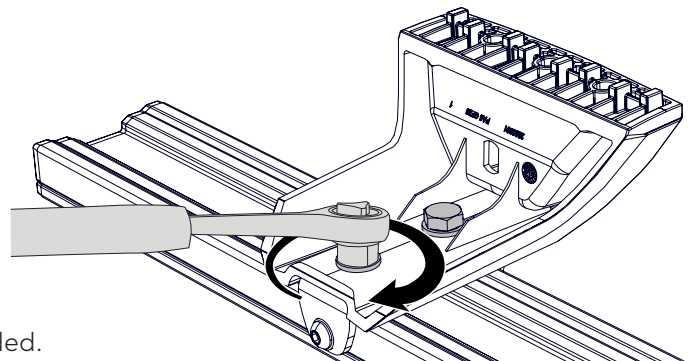
Secure using the two Screw and Washer assemblies from the previous step.



## 4 TIGHTEN MOUNTING BLOCK ASSEMBLIES TO LEGS

Tighten all M8 Set Screws to 7 Nm using a 13 mm Socket Wrench or Spanner.

**NOTE** - The Mounting Block assembly will still have movement after securing which is intended.



**PLEASE PROCEED TO NEXT PAGE FOR  
VEHICLE MOUNTING INSTRUCTIONS**

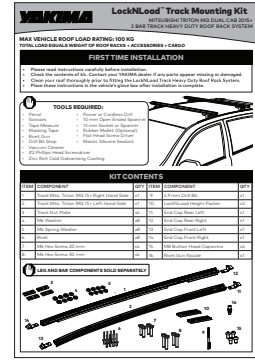


# VEHICLE MOUNTING INSTRUCTIONS

## 1 MOUNT LEGS TO VEHICLE

Mount Legs to vehicle as per LockNLoad vehicle specific Mounting Kit (sold separately). Vehicle specific instructions can be viewed and downloaded at our website.

**NOTE -** Bars are not required to install Platform.

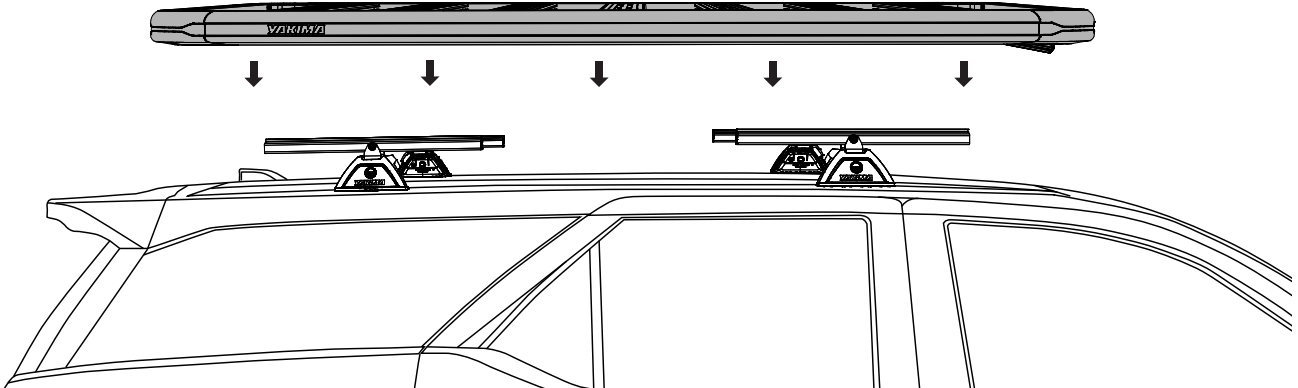


## 2 LIFT PLATFORM ONTO VEHICLE

With the help of an assistant, carefully lift Platform up and onto Mounting Blocks on vehicle roof. Centre Platform evenly on Legs so there is an equal overhang on sides and ideally on the front and rear.

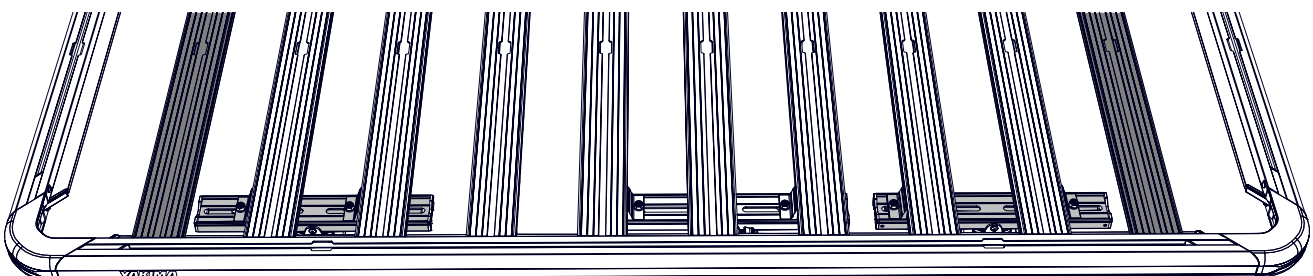
**NOTE -** Wind Deflector is to be at the front of the vehicle.

**NOTE -** For hatch vehicles ensure to position the Platform so that there is adequate hatch clearance when fully opened.



## 3 MAXIMUM OVERHANG

The maximum unsupported distance from Mounting Block is ONE slat on either end as shown.

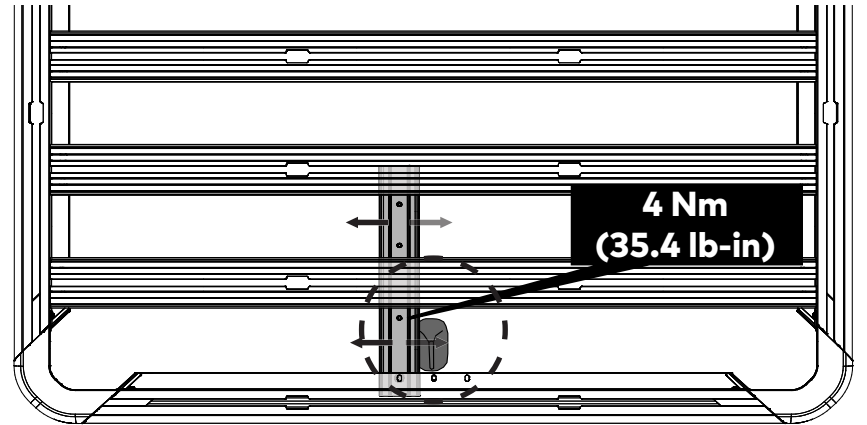
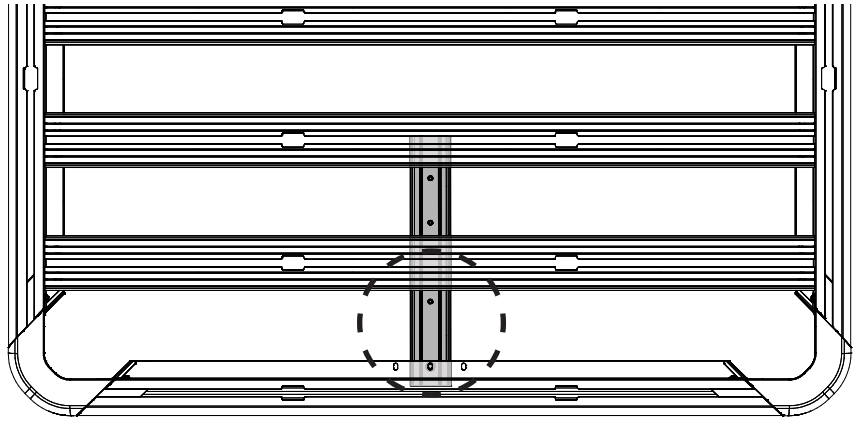


# 4

## ROOF CLEARANCE

The Platform Supports ideally should be fixed using the centre of the three holes. However, these can be offset left or right depending on the vehicle's roof or usage requirements. For instance, to prevent interference with an antenna in the center of a vehicle roof (e.g. Nissan Navara NP300, Ford Ranger).

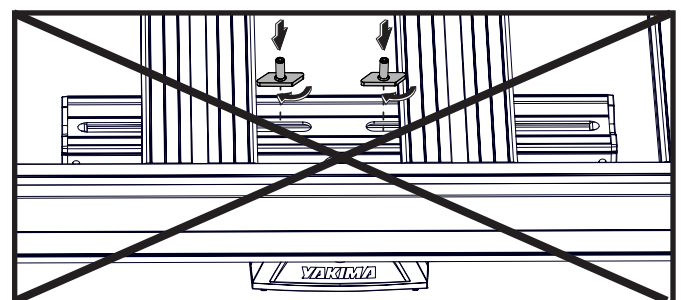
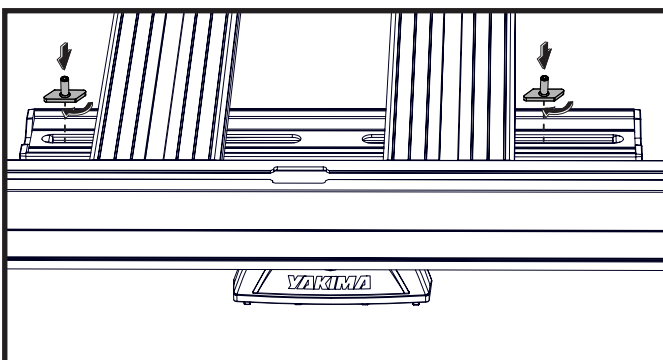
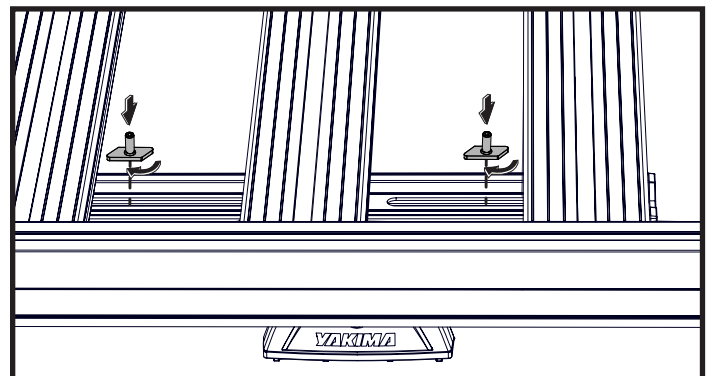
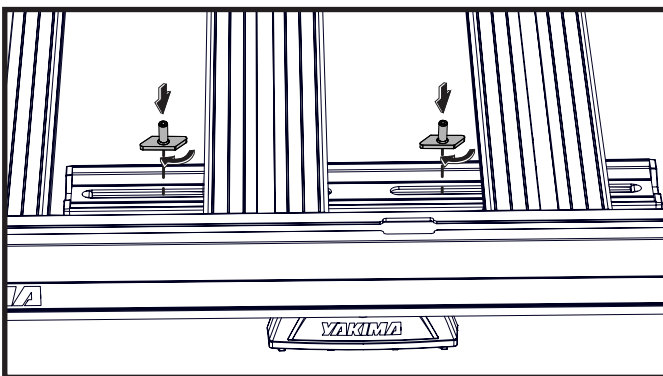
Loosen the three nuts along the centre support, and remove the single bolt. Retighten all nuts and bolts to 4 Nm.



# 5

## INSERT T-BOLTS INTO MOUNTING BLOCKS

Insert one M8 T-Bolt into Mounting Block channel on either side of each Leg. Twist to lock into place. The larger the distance between each pair of M8 T-Bolts the better. See images for possible location scenarios:



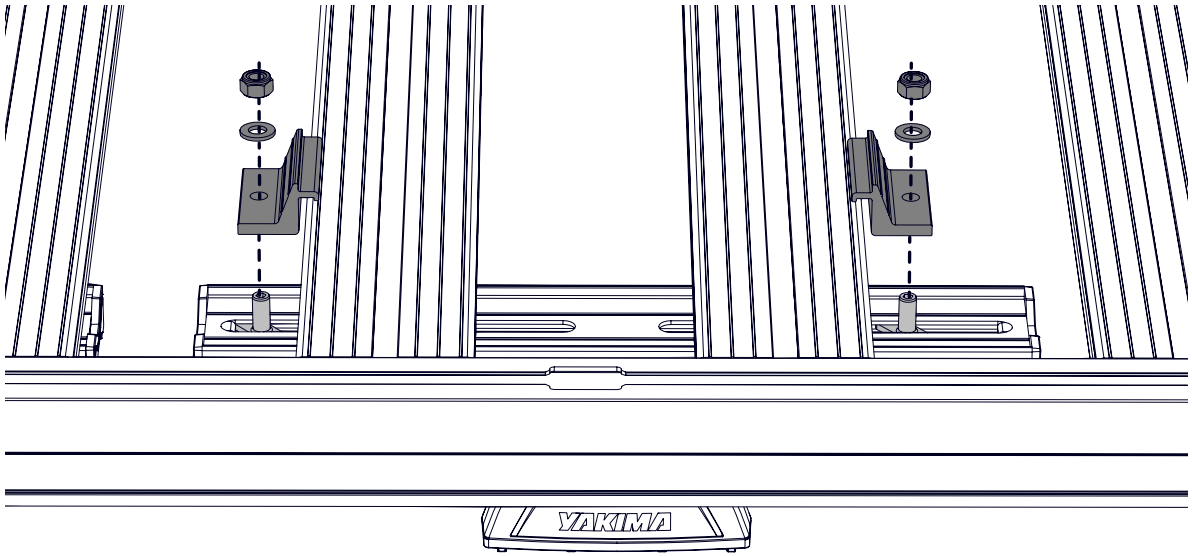
**Do not use this configuration**



## 6 SECURE MOUNTING BLOCKS

Secure Mounting Blocks to Platform Slats using one Slat Clamp, one M8 Washer and one M8 Nyloc Nut onto each M8 T-Bolt as shown.

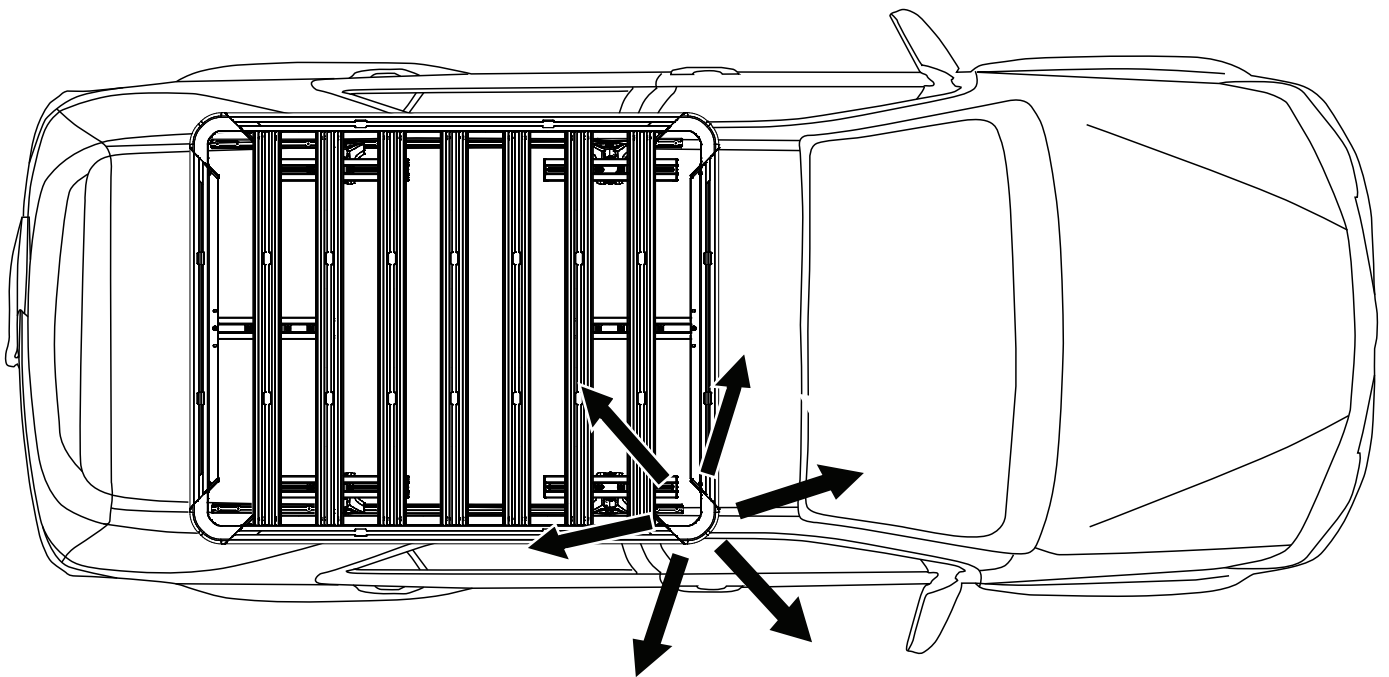
Tighten all Nuts to 7 Nm using a 13 mm Socket Wrench or Spanner.



**NOTE - Do not to over tighten Slat Clamps past 7 Nm as this may reduce clamping force.**

## 7 PLATFORM MOUNTING COMPLETE

Check that Platform has been secured correctly as per the mounting instructions.

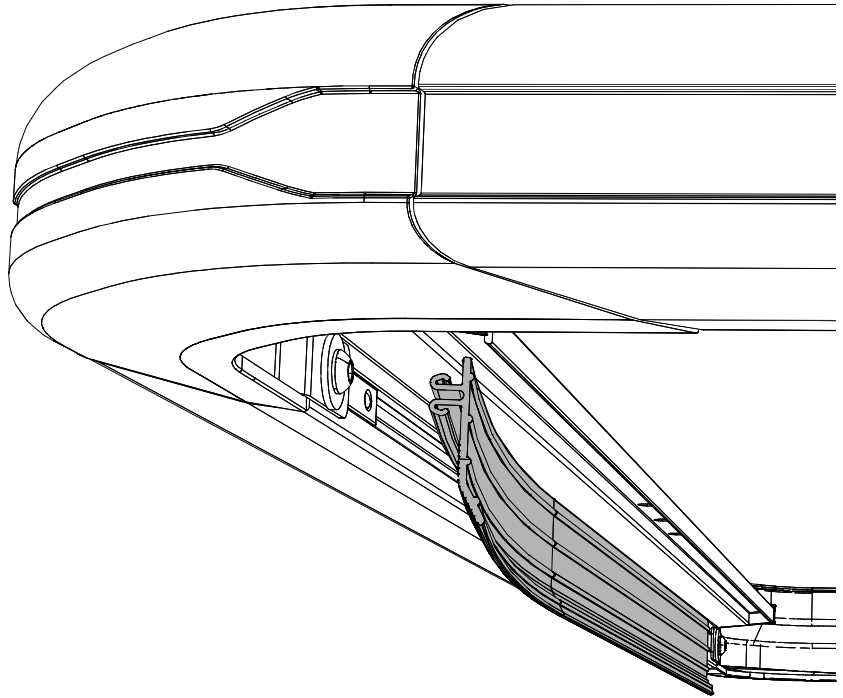


**NOTE - 7 Slat Platform shown - indicative sizes A and B.**

## **WIND DEFLECTOR REMOVAL**

**NOTE -** The Wind Deflector can be removed to suit certain anchors/accessories to be used with the front extrusion. This is done by simply peeling the part out of the slot, starting at one end and working across the length of the deflector.

Installation is the reverse and should be confirmed by hearing an audible 'CLICK' when the deflector is fully installed.



# **YAKIMA**

[www.yakima.com.au](http://www.yakima.com.au)

[www.yakima.co.nz](http://www.yakima.co.nz)

[www.yakima.com](http://www.yakima.com)

[www.yakima.eu](http://www.yakima.eu)

### **YAKIMA AUSTRALIA PTY LTD**

17 Hinkler Court  
Brendale, QLD 4500  
Australia  
1800 143 548

### **YAKIMA PRODUCTS, INC.**

4101 Kruse Way  
Lake Oswego, OR  
97035-2541  
USA  
888 925 4621

**ALL CONTENT SUBJECT TO YAKIMA AUSTRALIA PTY LTD COPYRIGHT © 2017**