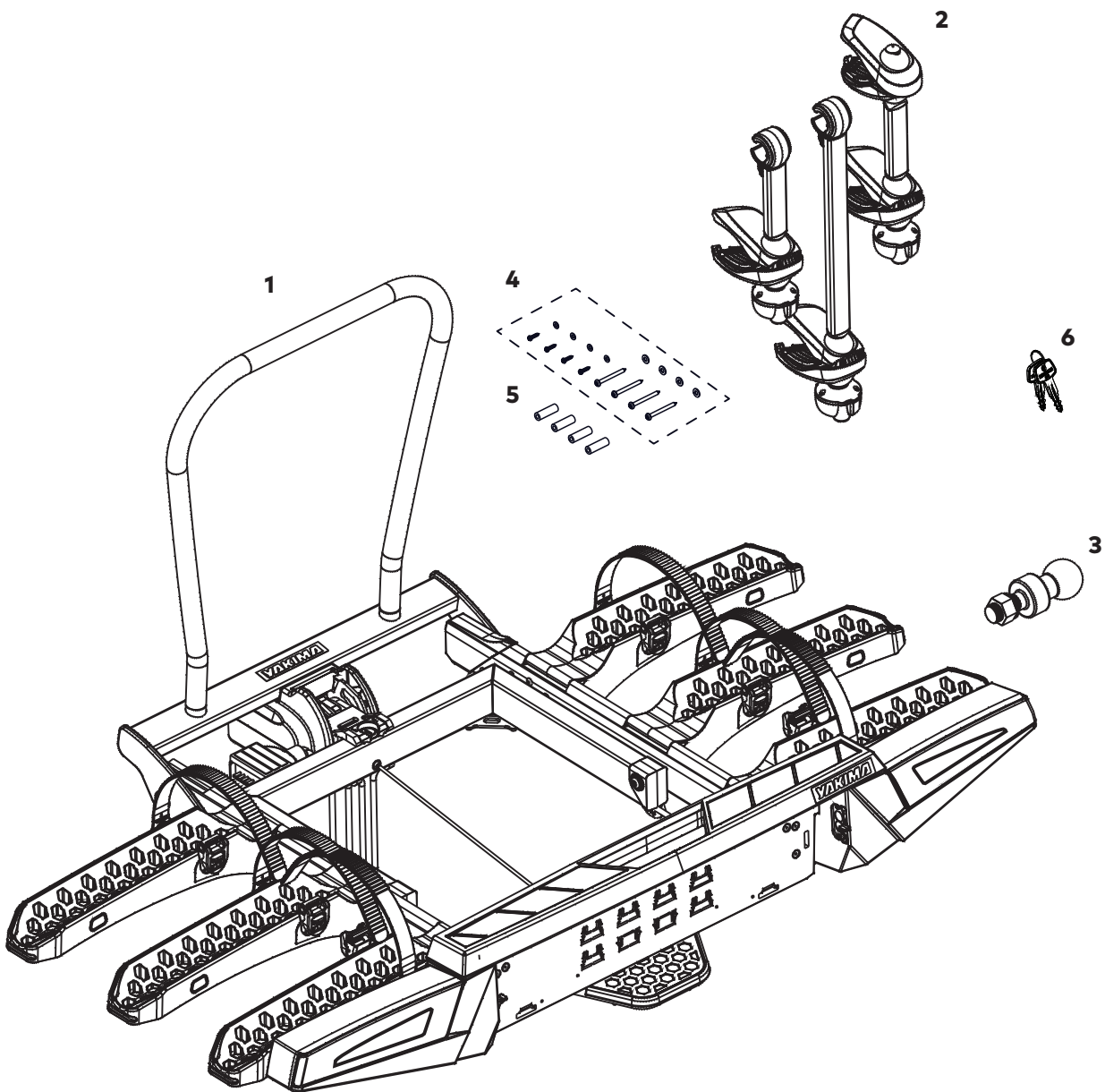
	FoldClick EVO 2	FoldClick EVO 3
	50 kg	33.4 kg
60 kg	43.4 kg	41 kg
70 kg	53.4 kg	51 kg
80 kg	60 kg	60 kg

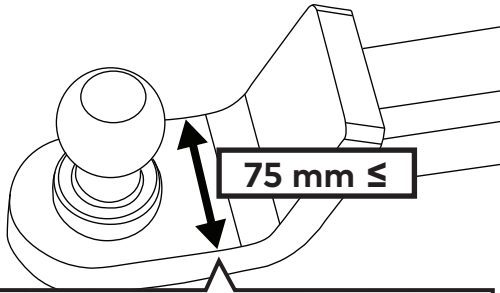
## KIT CONTENTS

ITEM	COMPONENT	FoldClick EVO 2	FoldClick EVO 3
1.	FoldClick EVO Bike Assembly	x1	x1
2.	Bike Frame Grabs	x2	x3
3.	Tow Ball 50 mm	x1	x1
4.	Number Plate Fasteners	x16	x16
5.	Number Plate Spacer	x4	x4
6.	Bike Carrier Key Set	x1	x1

**NOTE** - FoldClick EVO 3 pictured for illustrative purposes

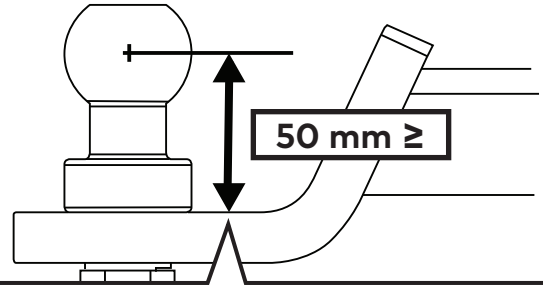


## COMPATIBLE TOW BALLS



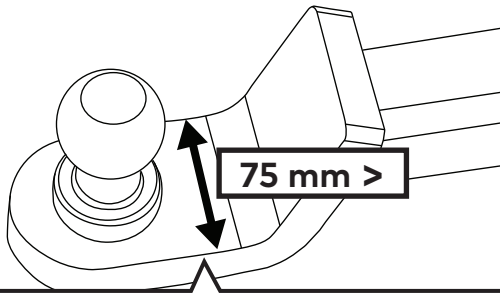
Tongue width less than 75 mm

+



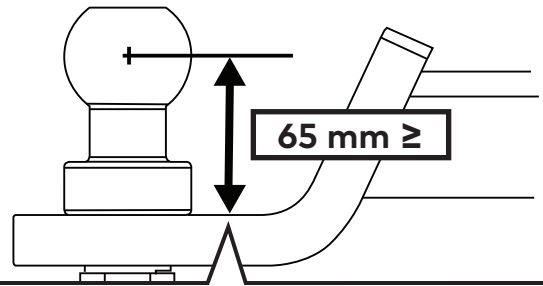
Height from base to center of ball to be 50 mm+

OR



Tongue width greater than 75 mm

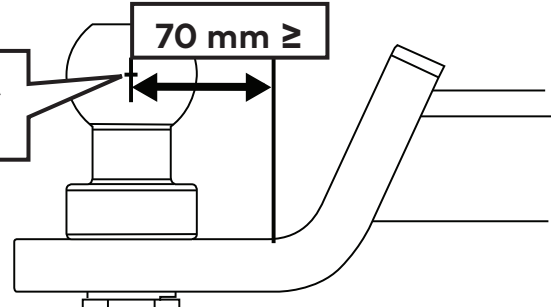
+



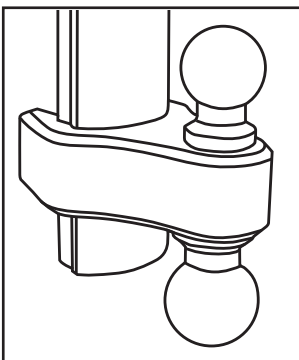
Height from base to center of ball to be 65 mm+

AND

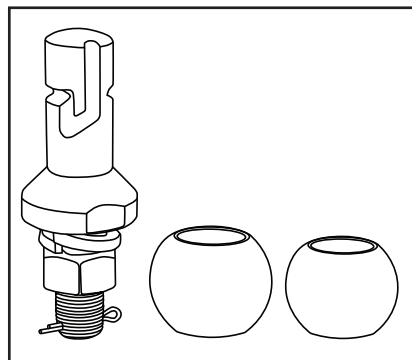
Distance from center of ball to end of flat base to be 70 mm+



## INCOMPATIBLE TOW BALLS



Duo and multi ball tow balls



Quick change style tow balls

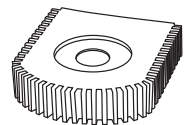
## TROUBLESHOOTING



Ensure you have removed the tow ball cover.



Ensure you have removed any shin guards.

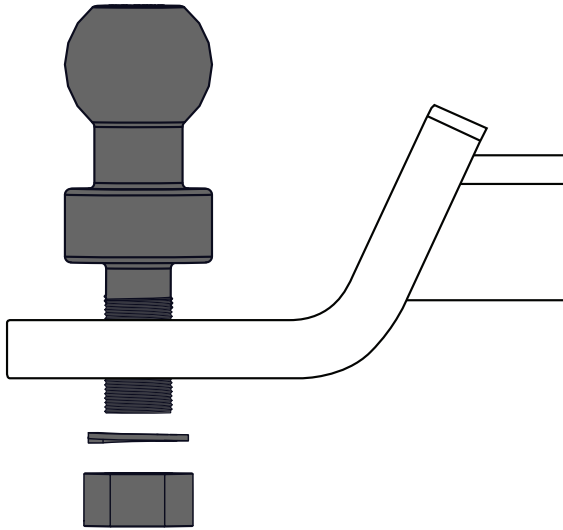


Tow balls with welded supports or tabs often interfere with the plastic covers on the carrier.

# INSTALLATION

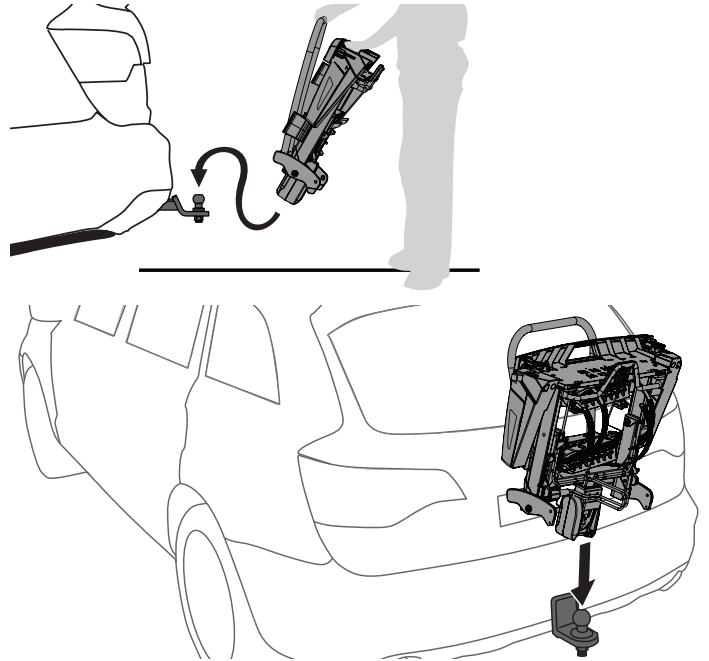
## 1 INSTALL SUPPLIED TOW BALL.

Install supplied tow ball to your hitch receiver. Tighten to 200 Nm.



## 2 PLACE FOLDER CARRIER ONTO TOW BALL.

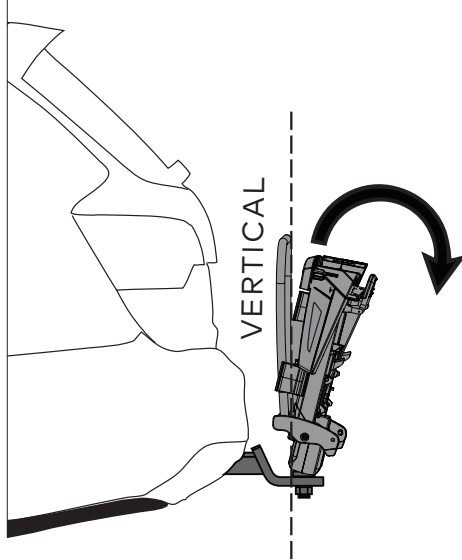
Ensure the carrier remains folded when placing on tow ball.



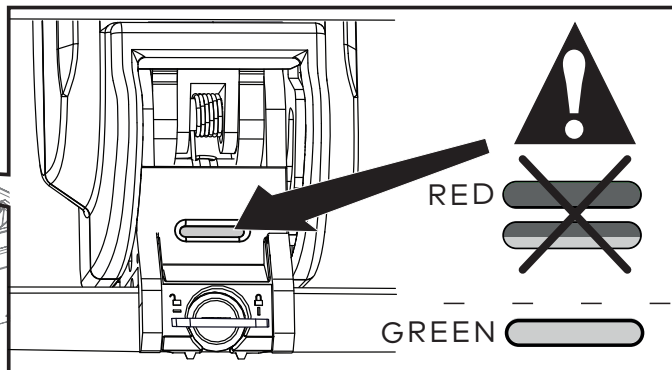
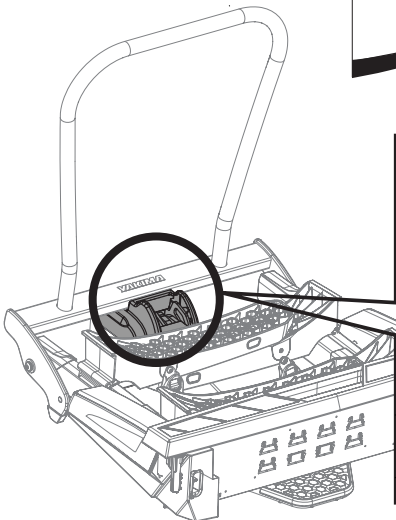
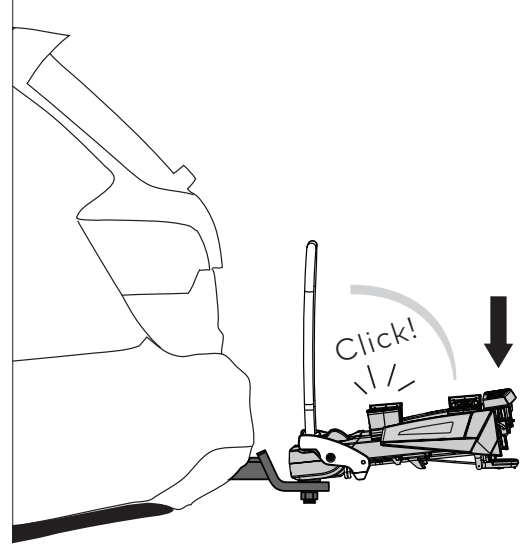
## 3 UNFOLD CARRIER.

Hold by the hoop and once vertical the carrier should partially unfold. Then continue unfolding by pulling down on the handle above the number plate holder until a "click" is heard.

1.



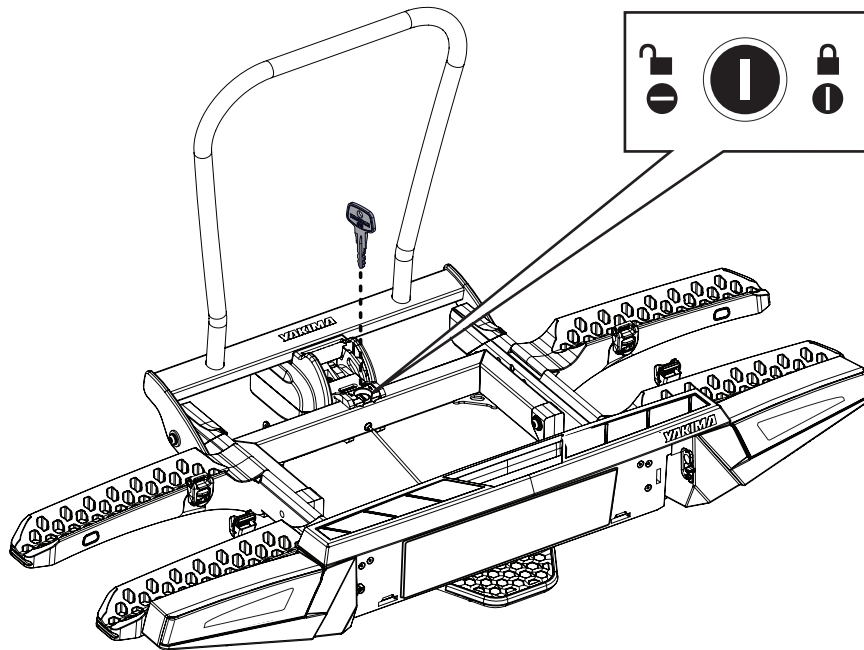
2.



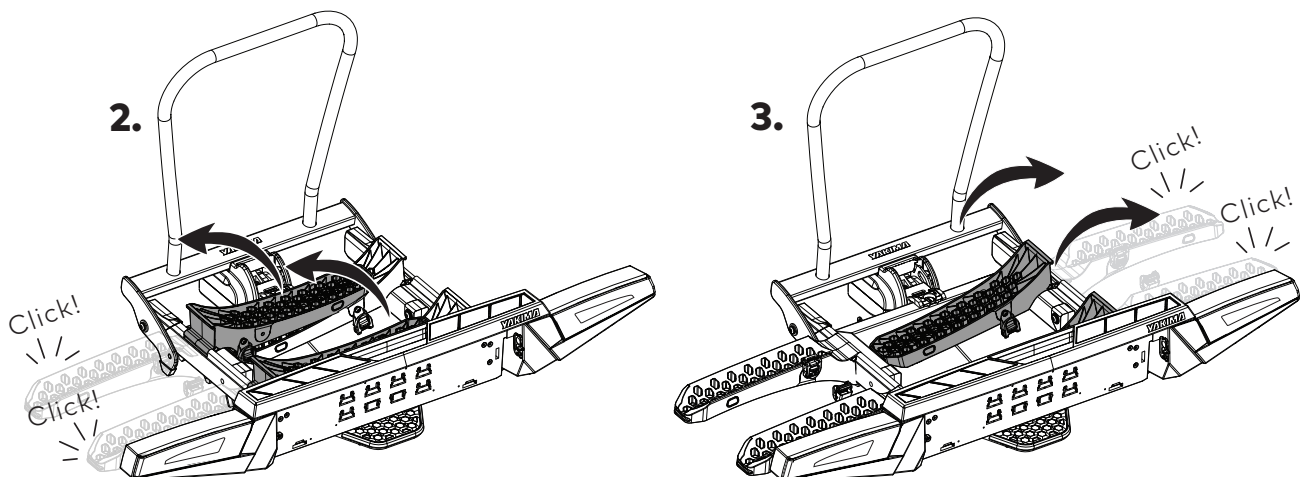
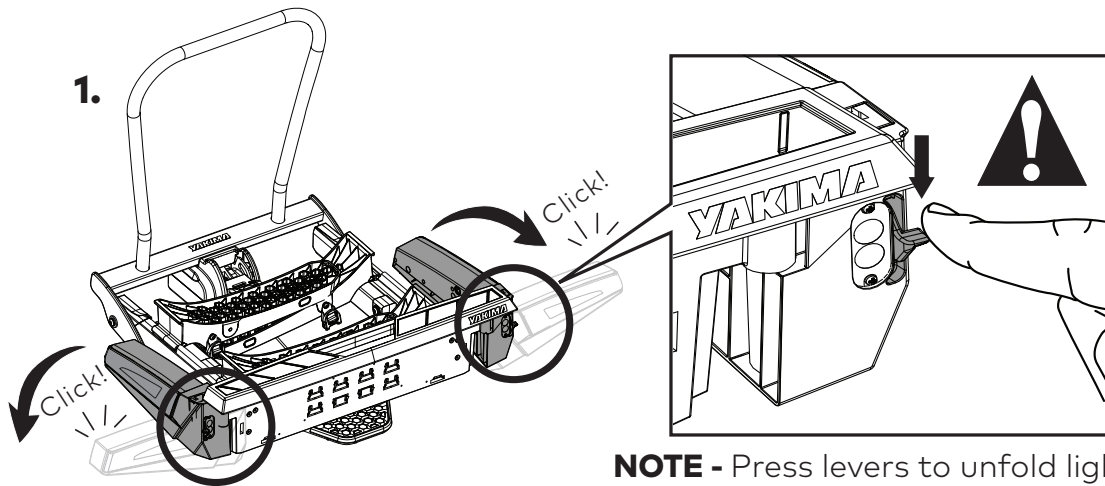
**NOTE** - Ensure the indicator window is completely green.

**4****LOCK CARRIER.**

Lock the carrier to tow ball and remove the key.  
The key cannot be removed in the unlocked position.

**5****UNFOLD LIGHTS AND WHEEL TRAYS.**

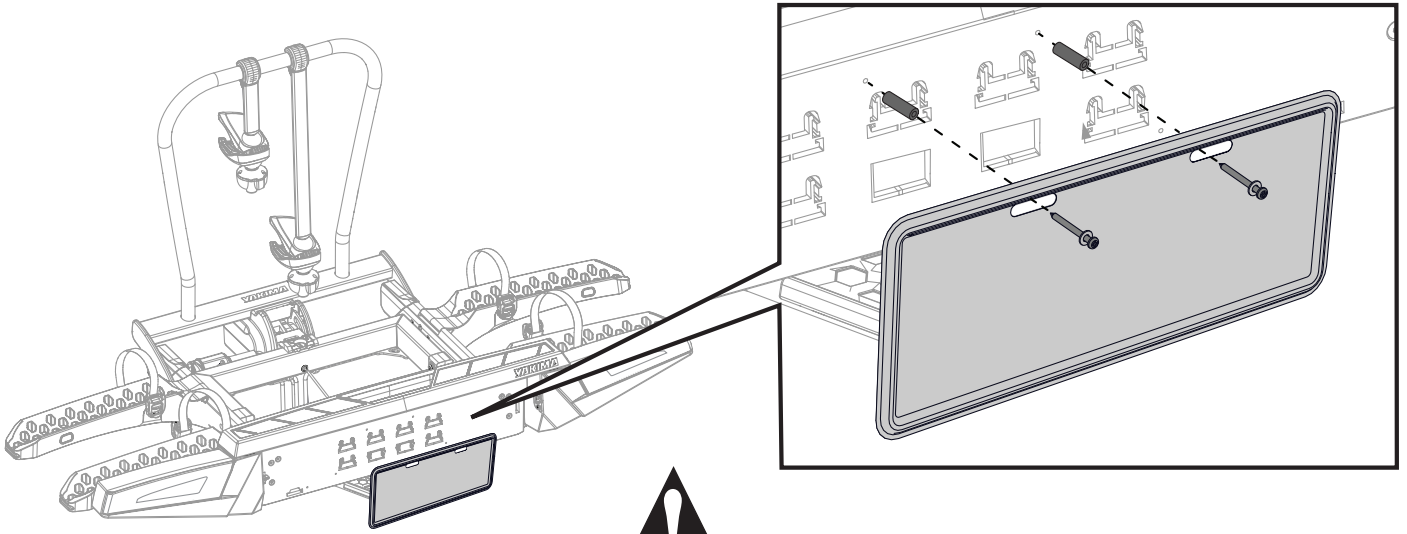
Unfold lights and wheel trays until a "click" is heard.



# 6

## ATTACH NUMBER PLATE.

Using the supplied number plate spacers and fasteners, secure your number plate to the carrier.

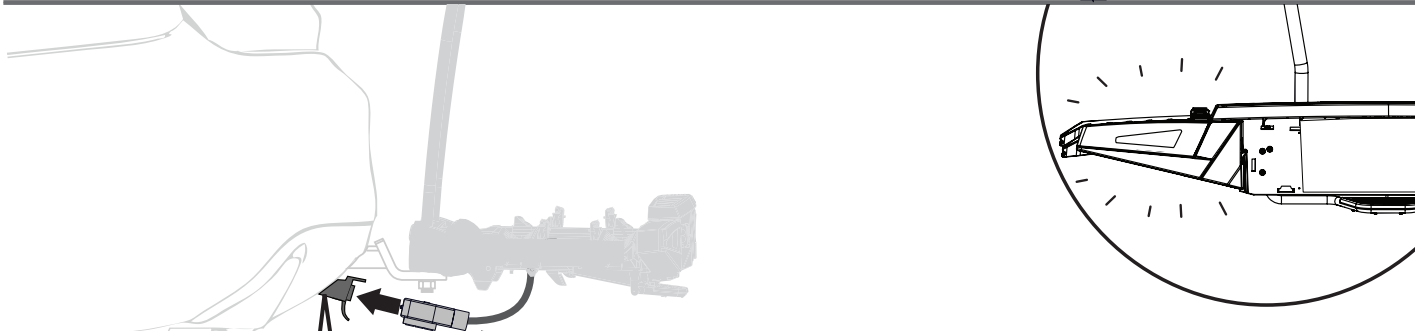
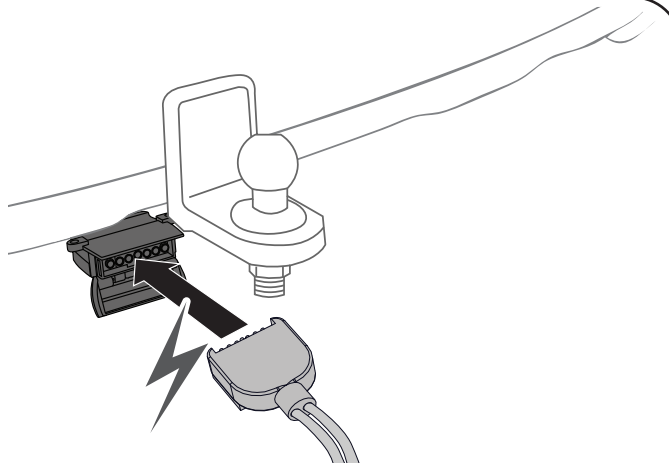


**Number plate spacers must be used to comply with local regulations.**

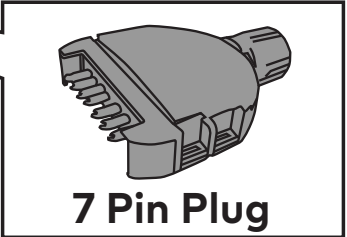
# 7

## CONNECT LIGHT PLUG.

Connect carrier light plug to your hitch power supply.



<b>12 V</b>		<b>24 V</b>	

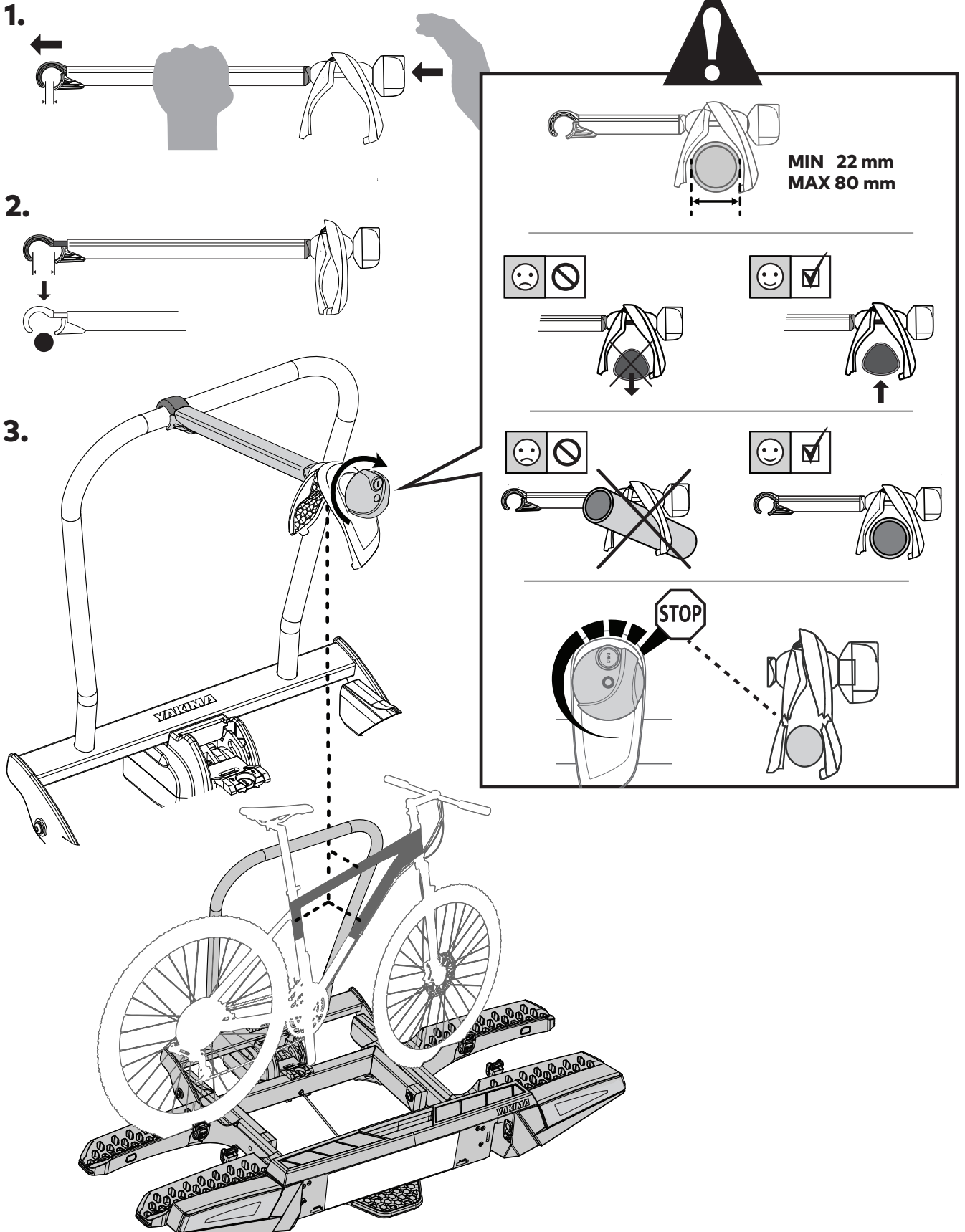


# 8

## ATTACH FRAME GRABS.

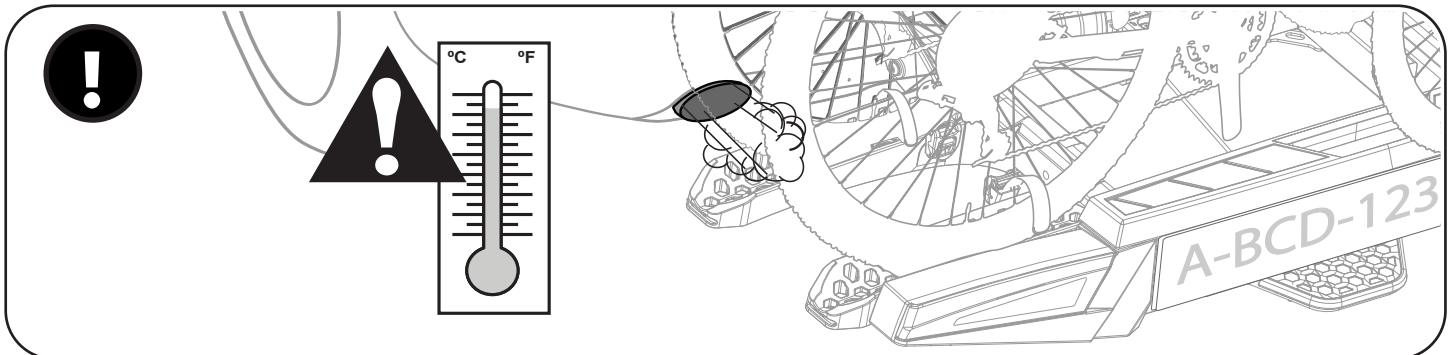
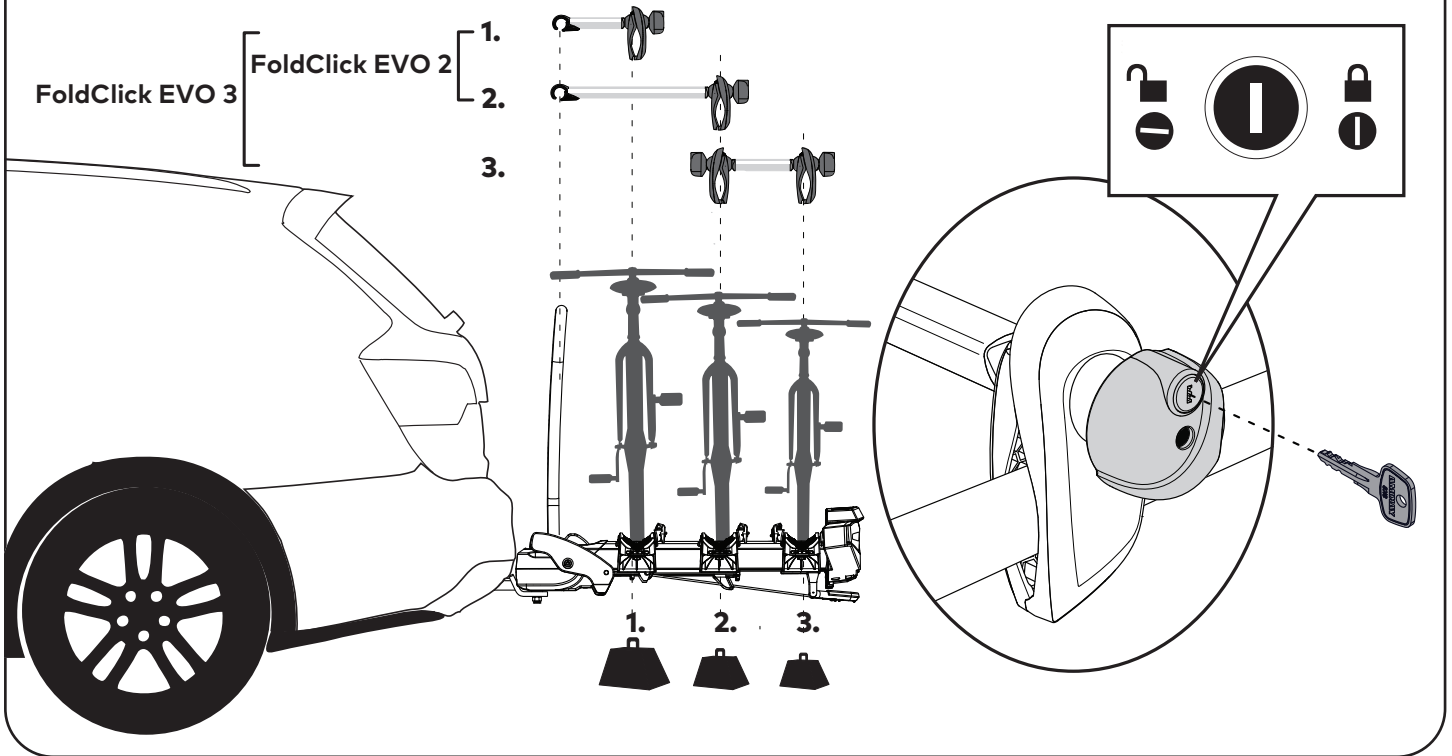
Press knob of frame grabs to expand frame holders (1) and attach to carrier hoop (2).

Attach frame clamp to your bike frame and rotate knob clockwise to secure (3).



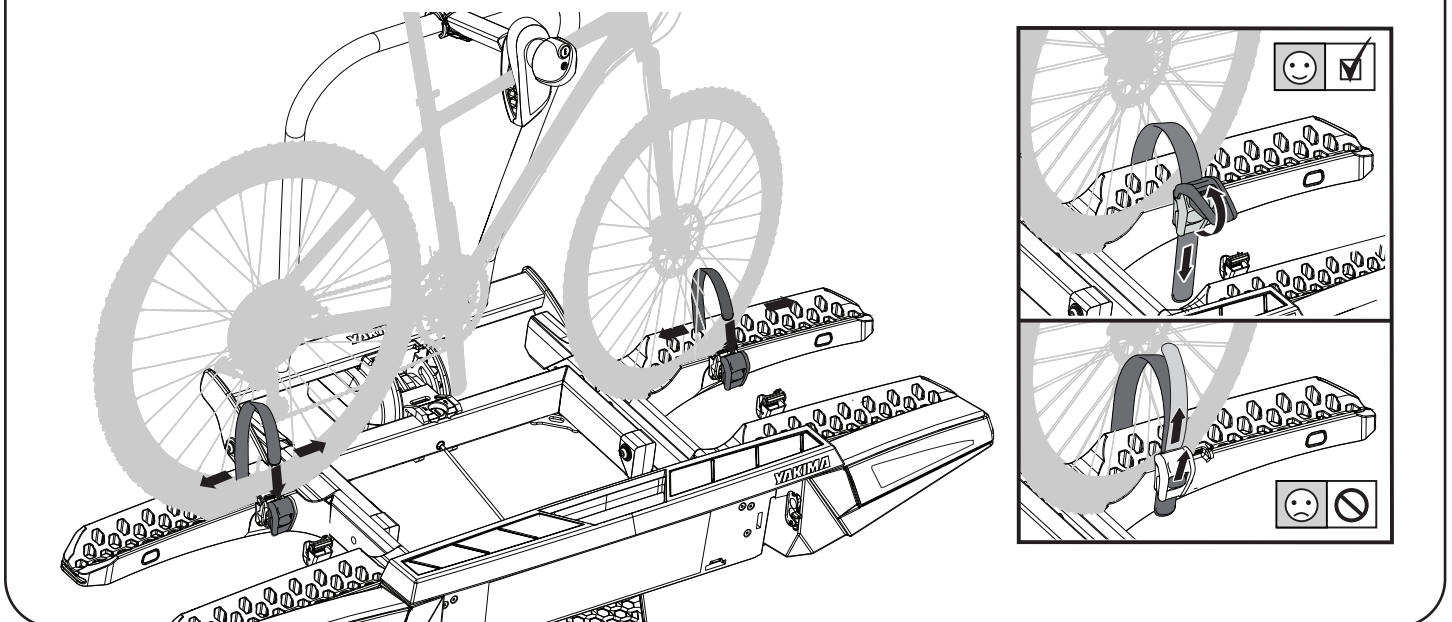
# 9 MULTI BIKE CONFIGURATION.

Load heaviest bikes first and lock bikes to carrier.



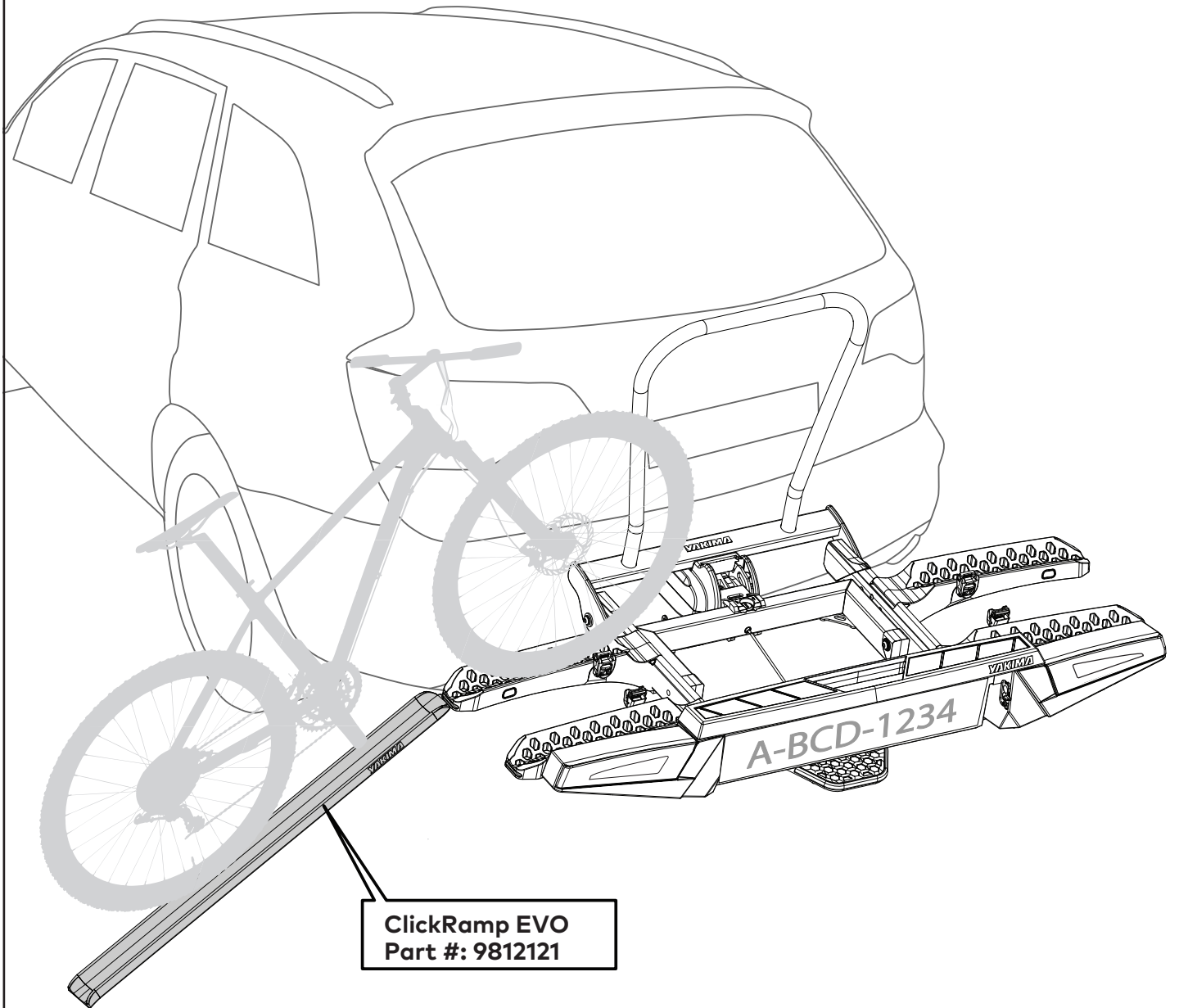
# 10 SECURE BIKE WITH WHEEL STRAPS.

Secure bikes to carrier using the wheel straps and buckles.



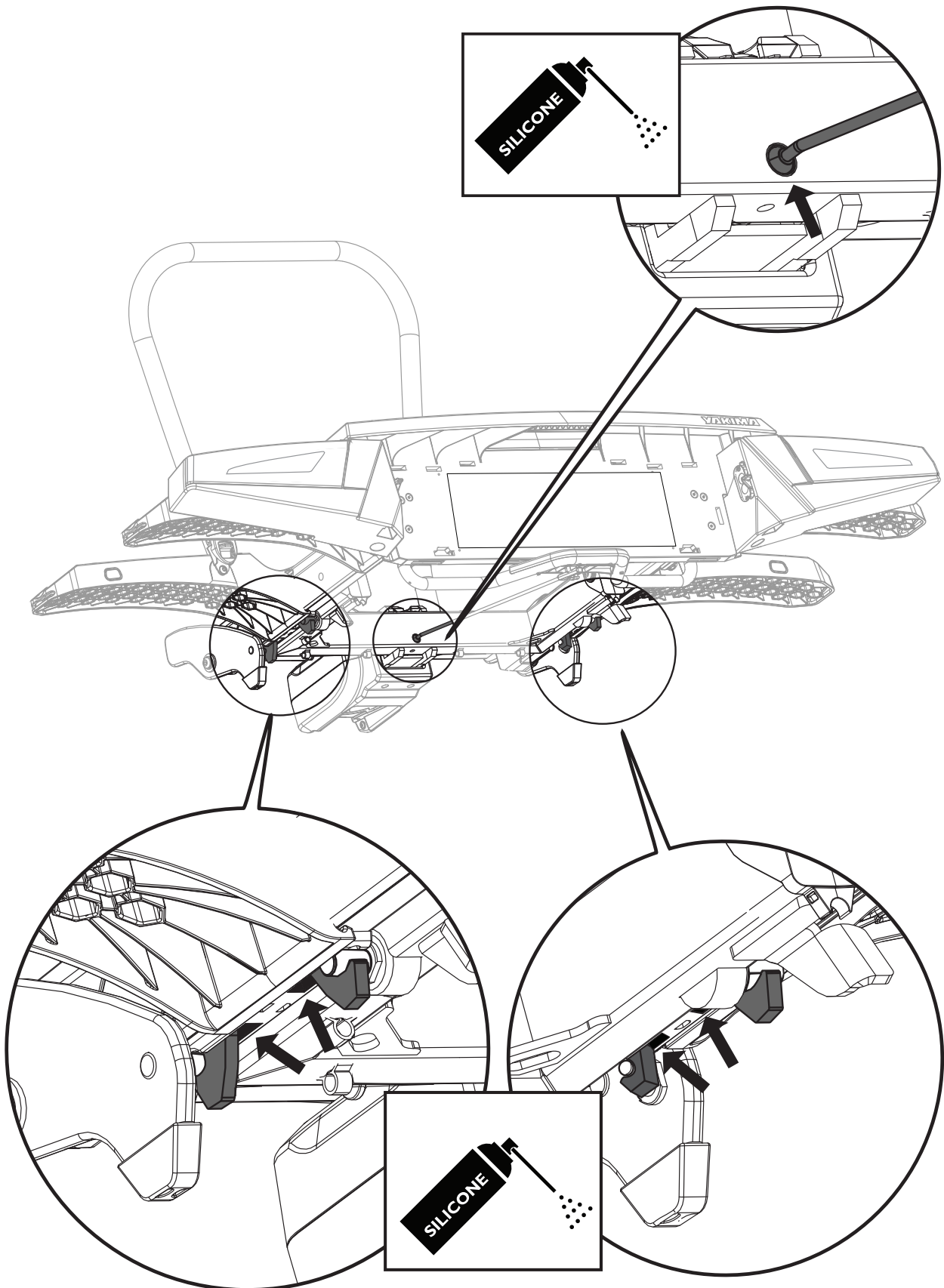


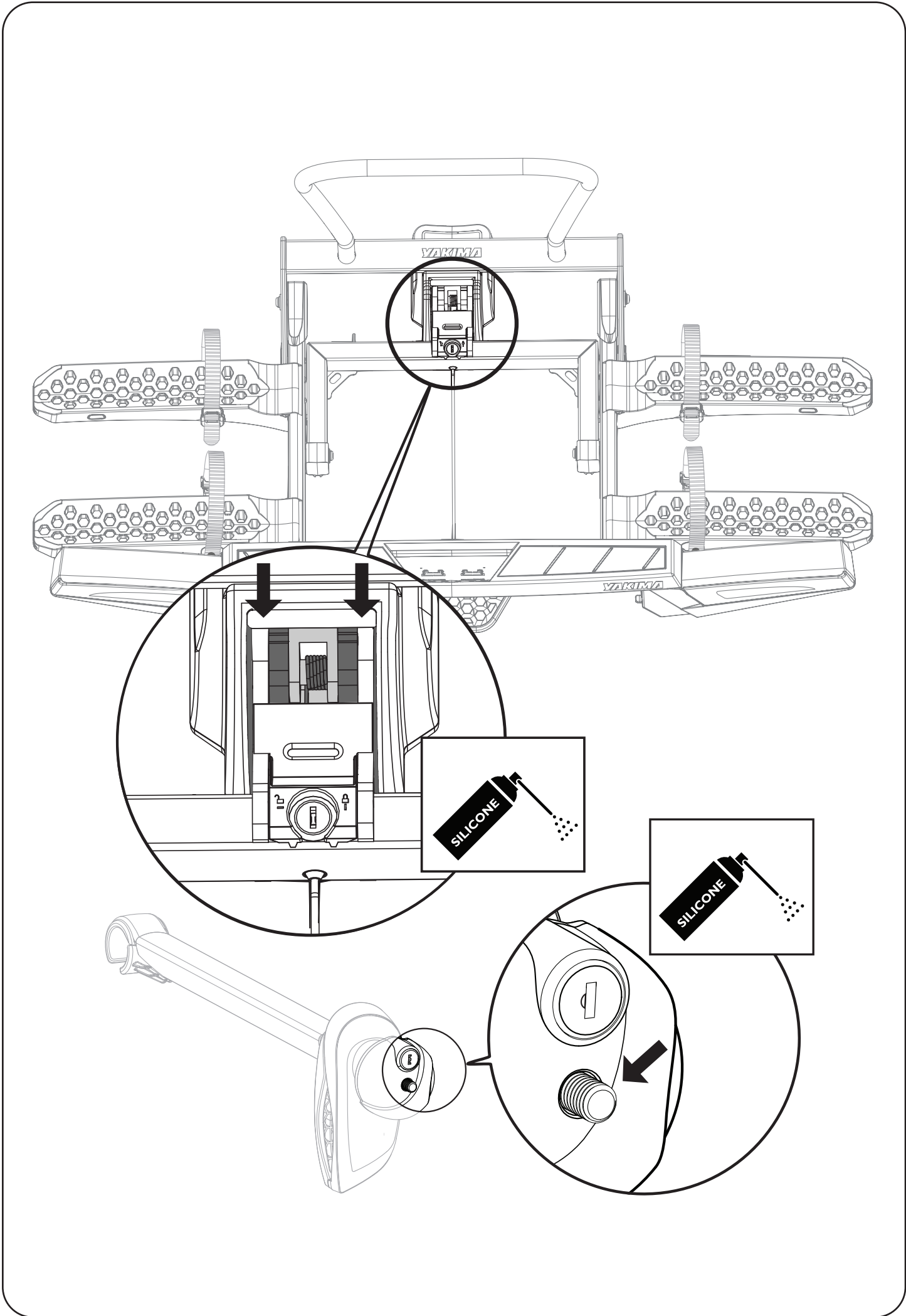
## ACCESSORIES



# MAINTENANCE

Recommended maintenance to be performed at least every 6 months.





## MAINTENANCE

It is important to clean the rack regularly and thoroughly with soap and water. Dry it well afterwards.

It is also recommended to:

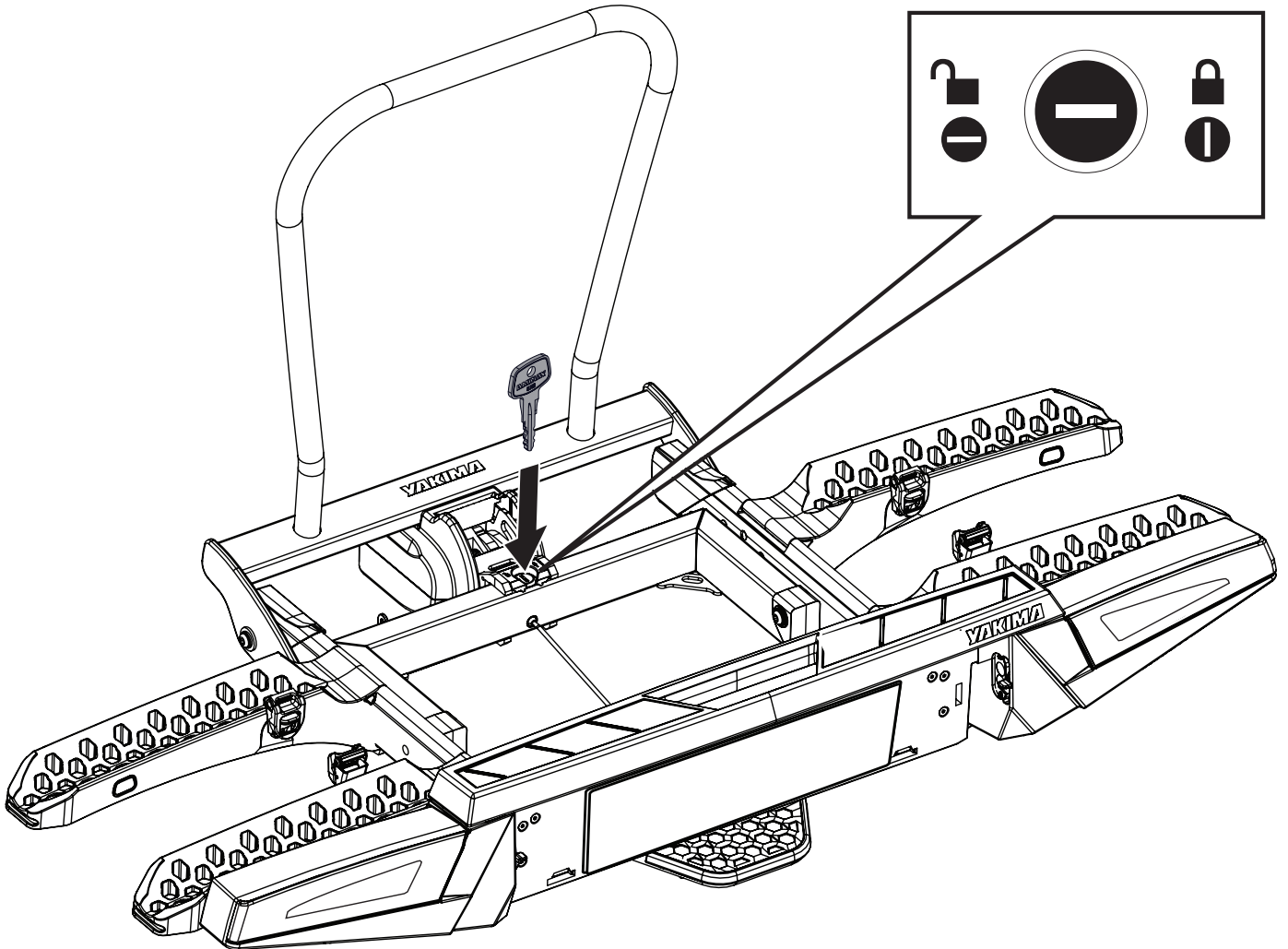
- Clean the ball of the tow bar and the fittings that fasten around the tow bar regularly.
- Liberally spray a dry type lubricant such as silicone spray:
  - Into all the locks.
  - Into the coupling mechanism (above the red/green indication window).
  - Into the slots of both hooks on the left and right underside of the bike carrier.
  - On the threaded rod of all frame holders.
  - On the plastic piece of the cable to be inserted in the undergear.
- If the carrier is not fully loaded, remove any extra frame grabs and engage all wheel straps.
- Check that the tilt function is engaged correctly before any trip.
- While you are driving, check regularly that the rack and the bikes are still securely fastened.
- Check that the lights are working properly before you set off, even in the daytime.
- Whilst in use, never cover the bike rack and the bikes with a cloth, tarpaulin or similar.
- If the vehicle has an electrical hatch or tailgate, switch it off when using the rack.
- Do not use any spare parts or accessories other than those provided by Yakima. Using other spare parts and accessories may mean that Yakima will not accept liability for damage that may occur as a result.
- If the rack is tilted with bikes loaded, the frame and bikes must be supported until it has been fully tilted. Allowing it to fall into the tilt position may cause injury or damage and so must be avoided.
- Attach the heaviest bike as close as possible to the vehicle.
- Ensure the load center of the bikes is as low and close to the tow ball as possible.
- In order to secure your bike against theft we recommend fastening a belt lock around the bikes' frames. Yakima is not liable in case of theft of the carrier and/or the bikes.
- It is important to always tension the bike frame in the deepest zone of the clamp. If this is neglected, the tension may fall and the frame will come loose. We also urgently recommend using a "bike frame adapter" (see accessories) in case the bike's frame has a large diameter and/or a deviating shape. This regularly happens in case of mountain bikes, but also in ladies bikes or electric bikes.

## REMOVAL

**1**

### UNLOCK CARRIER.

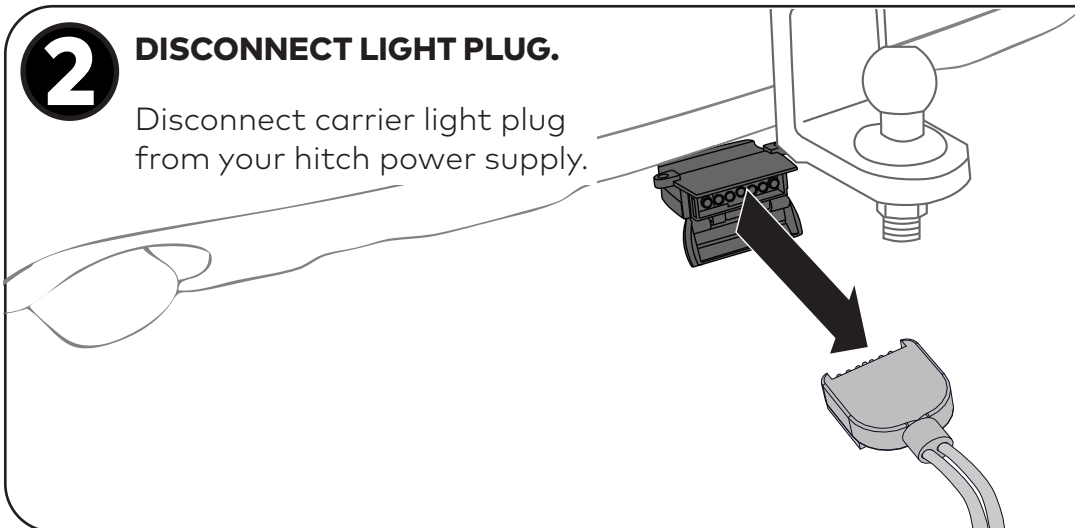
Unlock the carrier using the keys provided.



**2**

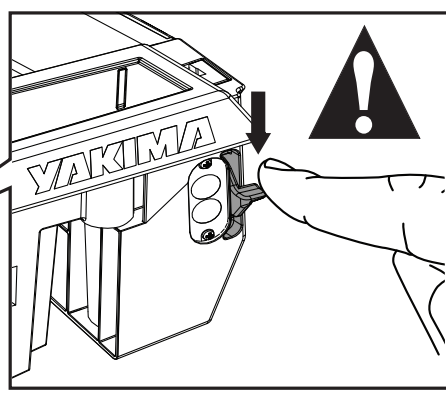
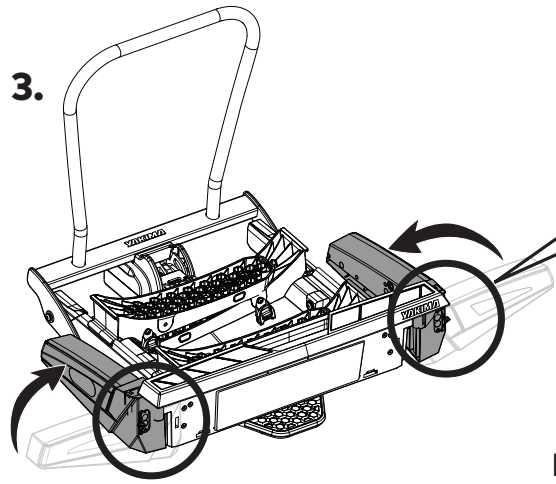
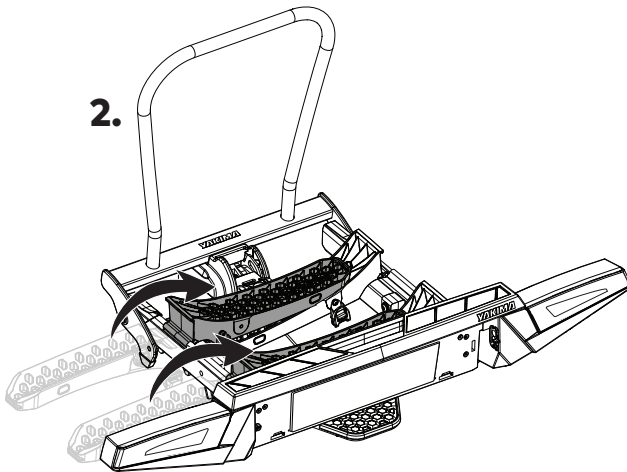
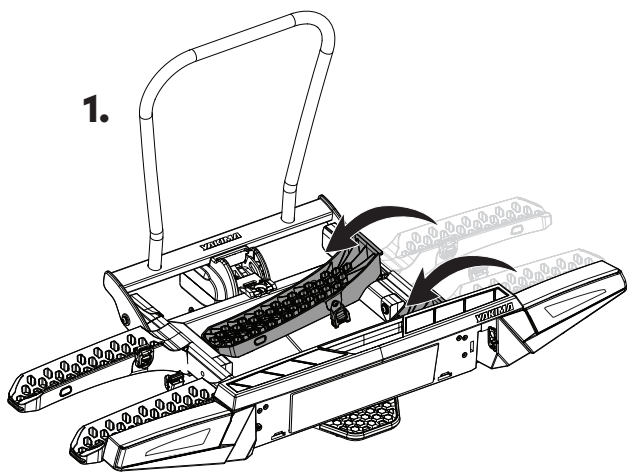
### DISCONNECT LIGHT PLUG.

Disconnect carrier light plug from your hitch power supply.



### 3 FOLD IN LIGHTS AND WHEEL TRAYS.

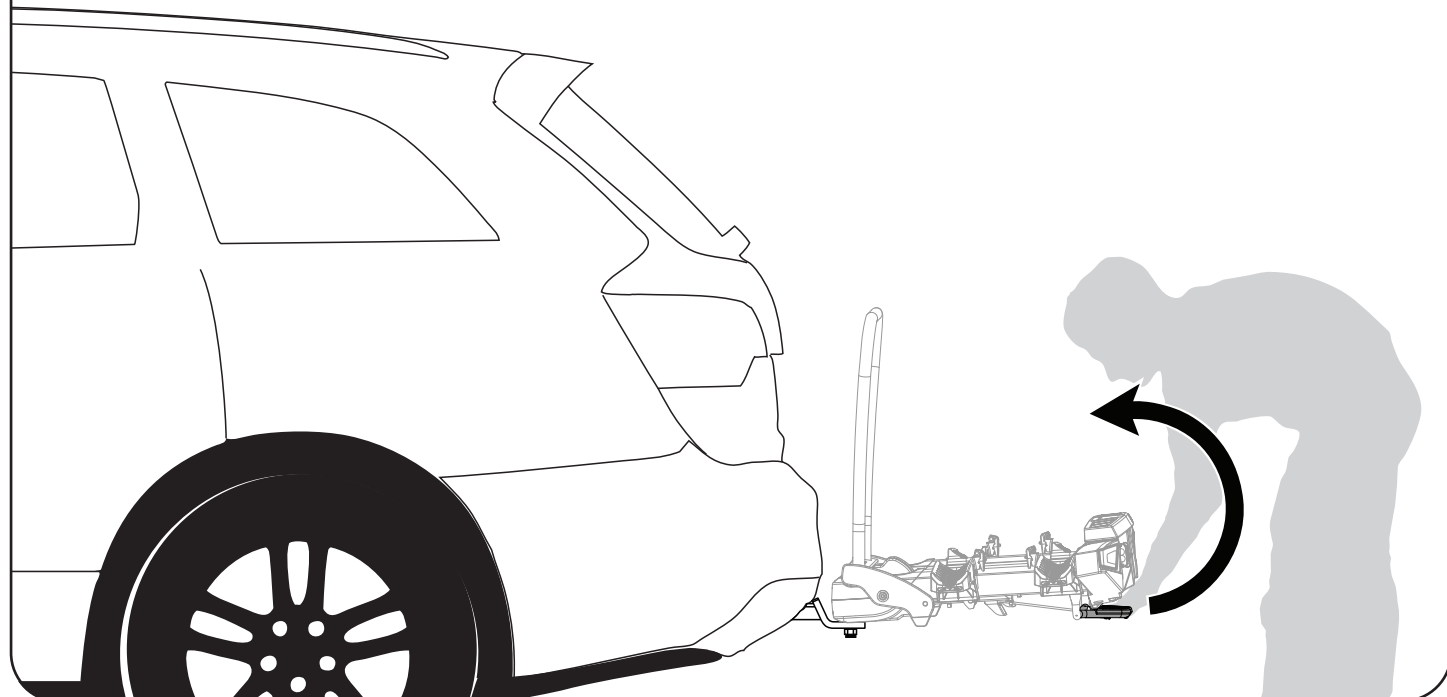
Fold in lights and wheel trays until a "click" is heard.

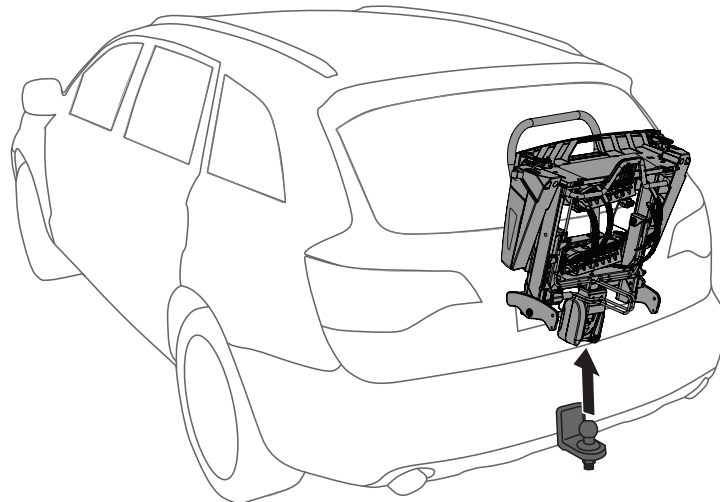
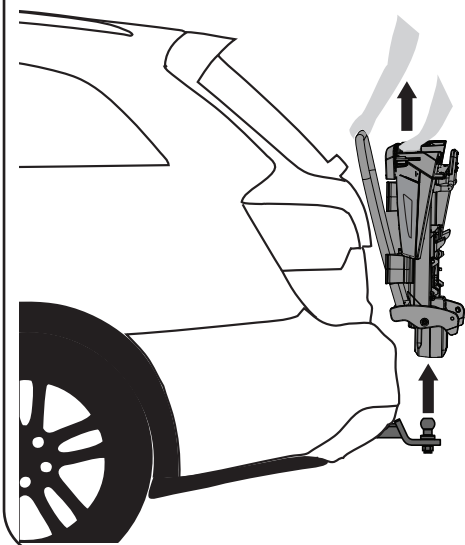


**NOTE** - Press levers to fold in lights.

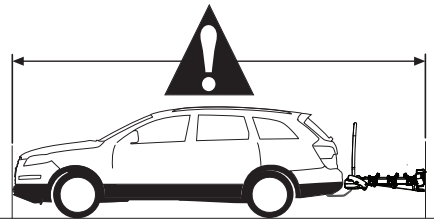
### 4 FOLD UP CARRIER.

Fold up carrier by pulling up on the foot pedal.



**5****REMOVE FOLDER CARRIER FROM TOW BALL.****SAFETY INSTRUCTIONS**

- Be sure to follow all the guidelines in this manual at all times. If you use the bike rack incorrectly or otherwise than intended your guarantee and the manufacturer's liability for possible damages will no longer apply.
- Yakima is not responsible for personal injuries and/or damage to property or financial loss caused by the incorrect fitting or use of the rack.
- The driver is solely responsible for making sure there is nothing wrong with the rack and that it is properly attached to the tow hook.
- Do not exceed the maximum load specified for the rear axle by the vehicle manufacturer.
- Do not exceed the maximum D value of the tow bar. The D value of the tow bar should be at least 7.6 kN. Refer to the following formulas to convert GK and GA values of older towing hooks into the D value:  
$$D = (9.81/1000) \times (G[A] \times G[K]) / (G[A] + G[K])$$
  
D in [kN], G[A] in [kg], G[K] in [kg]
- Be aware of hot exhaust fumes. Keep your bike and bike carrier clear of vehicle exhaust fumes to avoid damage and burns.
- Damaged or worn components must be replaced immediately.
- Do not leave parts like child seats, drink bottles, saddle bags, batteries of e bikes on the bikes during transportation.
- Always lock the bike rack and each frame grab during the journey.
- The ball of the tow hook must not be made of aluminium or GGG 40 material and must be completely free of grease when using the rack.
- Remove the bike rack when you are not using it to reduce fuel consumption. You should also remove the bike rack whenever you go through a car wash.
- The distance between the centre of the brake lights and the outer edge of the bike must not be more than 40 cm.
- Remove any unused items such as frame grabs when not required.



### Vehicle Driving and Regulations

- The speed driven must be suited to the load transported and to official speed limits. In the absence of any speed limits, we recommend a maximum speed of 130 km/h.
- When transporting any load, the speed of the vehicle must take into account all conditions such as the state of the road, the surface of the road, traffic conditions, wind, etc. Vehicle handling, cornering, braking and sensitivity to side winds will change with the addition of loads.
- Off-road driving is not recommended and could result in damage to your vehicle or your gear.
- Be wary that the bike rack is extending the rear of the vehicle on a low level which might cause the bike rack to make contact with the ground on speed bumps and steep slopes.
- Do not drive over speed bumps with any speed higher than 10 km/h.
- The number plate of the vehicle will need to be duplicated on the carrier if it is covered by the carrier or its load.
- The brake lights of the vehicle will need to be duplicated if it is covered by the carrier or it's load.
- Use caution when reversing as the bike rack may not be able to be seen through the rear window or mirrors. If rear view is obstructed, the vehicle is to be equipped with adequate rear-view mirrors (e.g. exterior rear-view mirror on the right side or trailer rear-view mirror).

# **YAKIMA®**

[www.yakima.com.au](http://www.yakima.com.au)

[www.yakima.co.nz](http://www.yakima.co.nz)

[www.yakima.com](http://www.yakima.com)

[www.yakima.eu](http://www.yakima.eu)

### **YAKIMA AUSTRALIA PTY LTD**

17 Hinkler Court

Brendale, QLD 4500

Australia

1800 143 548

[yakima.com.au/contact-us](http://yakima.com.au/contact-us)

### **YAKIMA PRODUCTS, INC.**

4101 Kruse Way

Lake Oswego, OR

97035-2541

USA

888 925 4621

[yakima.com/support](http://yakima.com/support)

**ALL CONTENT SUBJECT TO YAKIMA AUSTRALIA PTY LTD COPYRIGHT © 2022**