

# How to select the right MOD Drawer System for your vehicle

## STEP A Identify Tie-Down Points in Cargo Space

Does your vehicle have 4 robust metal tie-down points? Refer to Figure 1. for approved tie-down options circled in red.

If not, you need a custom tie-down solution.\*

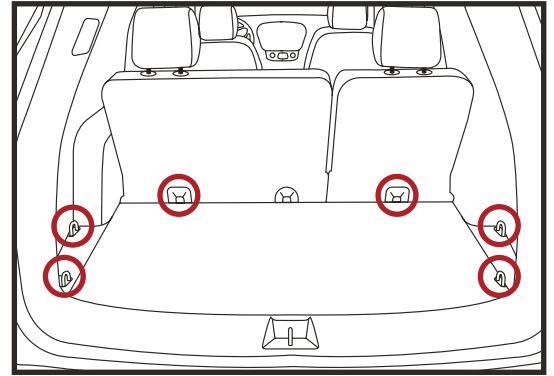


Figure 1

## STEP B Take Measurements

<b>1</b> Side-to-side	cm
<b>2</b> Back-to-Front	cm
<b>3</b> Seat height from the boot floor excluding the headrest	cm
<b>4</b> Floor to door opening or threshold	cm

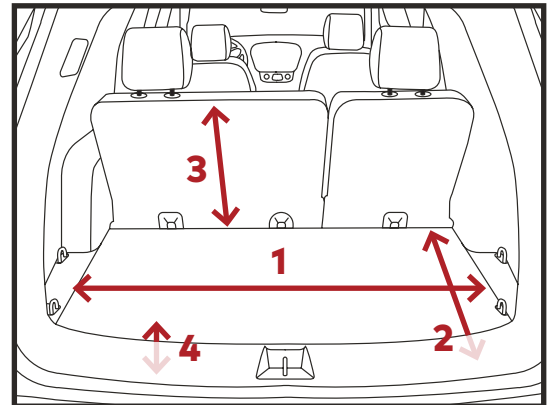


Figure 2

Select HomeBase unit using dimensions below based on measurements **1** and **2**, keeping in mind tie-downs should be minimum **5 cm** wider than the HomeBase unit in direction **1**.

Use measurement **4** to determine if your vehicle requires a MOD Riser Kit. If the threshold of your hatch measures more than **5 cm** from the floor anywhere along the width of the HomeBase unit, you will need a MOD Riser Kit. If this measurement is greater than **11.5 cm** the MOD system will not work in your vehicle.

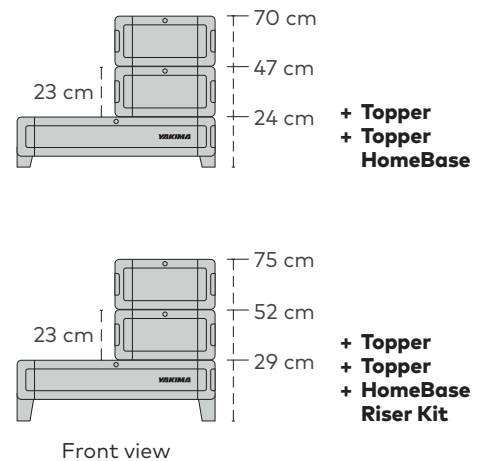
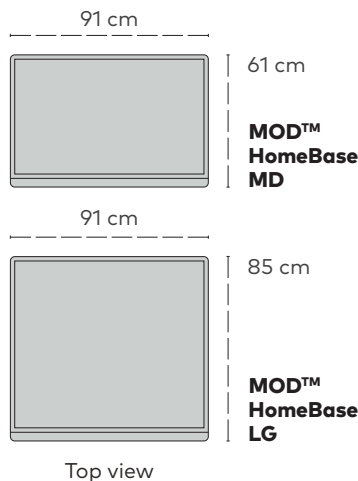
**Helpful Tip:** Look for any other obstructions (wheel wells, narrow hatch opening, speakers, or spare tyres) that may interfere with the installation of MOD. If any of these exist, measure the smallest dimension and compare to the specifications below.

## STEP C Configure Your System

Using measurement **4** and keeping in mind you cannot START the upper level of the MOD Drawer System higher than the rear seat back (excluding headrest), compare seat height to measurements below to build the system.

Keep in mind the recline of the rear seat may require to you go to a smaller size HomeBase if you plan to use MOD Toppers.

Rear hatches that slope may also require you to go a size down so the hatch does not interfere with the MOD System. Yakima recommends **5 cm** of clearance from the rear hatch/glass.



**\* Need a custom solution for tie-down points? Or confused by any information in this sheet?**

Contact an authorised Yakima MOD Drawer System Dealer. Custom installation at user's own risk.