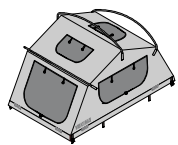
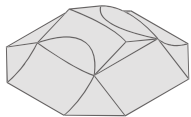


Visit www.yakima.com/skyrise to determine which roof-rack is required to use SkyRise™ with your vehicle.

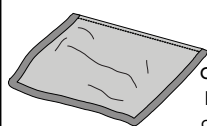
CONTENTS • CONTENU • CONTENIDO



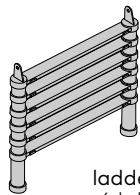
tent (1X)
tente (x 1)
carpa (1X)



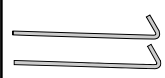
rainfly (1X)
double toit (x 1)
sobretecho (1X)



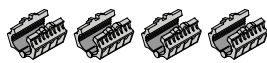
cover (1X)
housses (x 1)
cubierta (1X)



ladder (1X)
échelle (x 1)
escalera (1X)

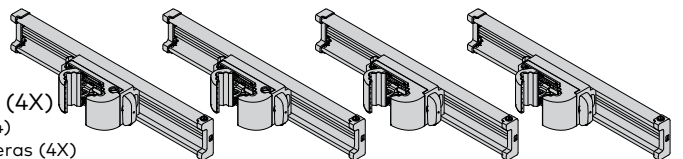


stakes (2X)
piquets (x 2)
estaca (2X)

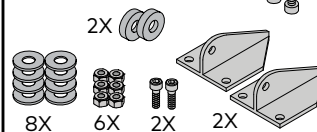


RoundBar™ Adapter (4X)
Adaptateur pour barres rondes (x 4)
Adaptador de barra redonda (4X)

clamps (4X)
pince (x 4)
abrazaderas (4X)



ladder hardware
quincaillerie d'échelle
herraje de escalera



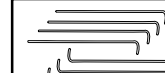
2X

8X

6X

2X

2X

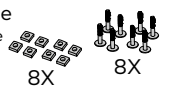


rainfly rod (8X)
tige de double toit (x 8)
varilla del sobretecho (8X)



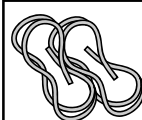
rod bag (1X)
sac pour tiges (x 1)
bolsa para varillas (X1)

mounting hardware
quincaillerie de montage
herraje de montaje



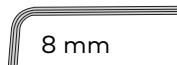
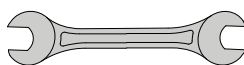
8X

8X

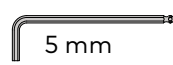


tie downs (2X)
haubans (x 2)
amarra (2X)

included tools:
outils inclus:
herramientas incluidas:



8 mm



5 mm



key (2X)
clé (x 2)
llave (2X)

contents not to scale
ces illustrations ne
sont pas à l'échelle
piezas fuera de escala

READ ME FIRST!



For your safety register your new product online at: www.yakima.com/warranty-registration

FIRST OFF, THANKS!

Welcome to the Yakima family. We appreciate your support and are confident that you'll get years of solid performance from your new Yakima product. Below are a few helpful hints to make sure that you have a great ownership experience. Please keep these instructions.

WATCH FOR THESE SYMBOLS!



= **SAFETY** – Keep safe by reading the important safety warnings included in the product instructions! Safety warnings are identified with this symbol.

= **STOP** – Please read all important product notes in the product instructions to ensure proper installation or fit information. These notes are identified with this symbol.

SOME DO'S AND DON'TS (additional warnings are contained in these instructions)

- ☑ Do have a friend or dealer help with installation.
- ☑ Do use the tent when parked on level ground.
- ☑ Do remove the tent when not in use.
- ☑ Do dry the tent before storage.
- ☑ Do use the tent on level ground.
- ☑ Do close the tent cover fully before driving away.
- ☑ Do assist children on the ladder.
- ☑ Do close and secure the cover before driving.
- ☒ Do not climb on your vehicle's roof.
- ☒ Do not use the tent unless ladder is securely in place.
- ☒ Do not allow more than one adult on the ladder at a time.
- ☒ Do not use the tent in high-winds or heavy-snow.
- ☒ Do not transport anything on top of the closed tent.
- ☒ Do not use an open flame nor cook inside tent.

IMPORTANT FIT INFORMATION

WARNING: DO NOT USE THIS PRODUCT ON A VEHICLE THAT IS INDICATED AS "NO-FIT".

The Yakima Fit-List now includes approved SkyRise™ fits for many popular vehicles. Updates and additions to the Yakima Fit-List for rooftop tents are being made continually. **Please go to fitlookup.yakima.com for latest updates.**

Vehicles that we have seen and tested are designated as "FIT" or "NO-FIT" for SkyRise™. Fits for SkyRise are different than for other Yakima products. **Please note that virtually all factory crossbars are too flexible for rooftop tents. So vehicles approved in the Fit-List will still require a Yakima roof-rack system.** If we have not tested your particular vehicle and rack system, you can use the checklist below to evaluate whether your vehicle and rack system may support a SkyRise.

Remember, the checklist below is designed to be a guideline only and any installation not on our approved Fit-List is at the sole risk and responsibility of the owner or installer.

- ❑ The vehicle and rack system have a minimum load carrying capacity of 165 lbs.
- ❑ The following Yakima towers may be used: TimberLine™, SkyLine™, RidgeLine™, RailGrab™ (med. or large claw), ControlTower™, LowRider™, 1A Raingutter™, BedRock™, and Outdoorsman™.
- ❑ You may use SkyRise with Yakima RoundBar™, CoreBar™, or JetStream bars™.
- ❑ For factory-tracks or fixed-points (see figure 1), ensure that the roof does not deform when heavy loads are applied.
- ❑ For vehicles with raised-rails, position the crossbars as close as possible to rail supports.
- ❑ Ensure that the crossbar spread is between 26" and 40.5".
- ❑ Do not use a rooftop tent with any clamp type towers (including Q-Tower™ and BaseLine™) or RailGrab™ Towers with Small Claw or Pin Adapters.
- ❑ Do not use with factory-crossbars, they are too flexible.
- ❑ Do not position the mounting hardware more than 1" outside of the Tower (see figure 2).
- ❑ The maximum distance from top of the crossbar to the ground for SkyRise Small is 86" and 98" for SkyRise Medium.
- ❑ Do not install SkyRise™ on cantilever rails or rails without sufficient support (see figure 3).

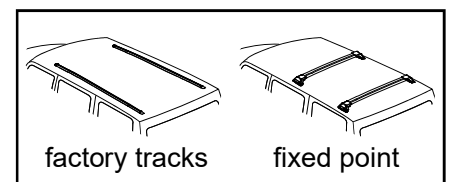


fig. 1

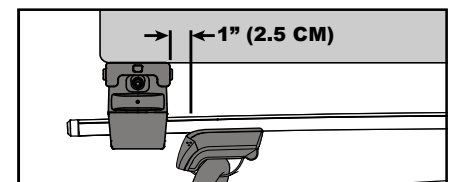


fig. 2



fig. 3

À LIRE EN PREMIER !

FR

Par mesure de sécurité, enregistrer le produit en ligne à www.yakima.com/warranty-registration

TOUT D'ABORD : MERCI !

Bienvenue dans la famille Yakima. Nous vous remercions de votre confiance et nous sommes persuadés que votre nouveau produit Yakima vous satisfera pendant des années. Nous vous présentons ci-dessous quelques conseils qui seront utiles pour tirer le plein parti de votre achat. Prière de conserver ces instructions.

REPÉRER
CES
SYMBOLES !



SÉCURITÉ – Pour votre sécurité, prière de respecter ces consignes importantes figurant dans les instructions ! Les avertissements de sécurité sont identifiés par ce symbole.

ARRÊTEZ – Prière de lire toutes les notes concernant le produit dans les instructions pour en assurer le montage et l'ajustement corrects. Ces notes sont identifiées par ce symbole.

À FAIRE ET À NE PAS FAIRE (d'autres avertissements figurent dans les instructions)

- Oui : demander à un ami ou au dépositaire de vous aider pour l'installation.
- Oui : employer la tente quand le véhicule est stationné de niveau.
- Oui : enlever la tente quand elle ne sert pas.
- Oui : sécher la tente avant de l'entreposer.
- Oui : utiliser la tente sur un sol de niveau.
- Oui : fermer complètement la housse de la tente avant de prendre la route.
- Oui : aider les enfants à grimper dans l'échelle.
- Oui : rabattre et attacher la housse avant de prendre la route.
- Ne pas grimper sur le toit du véhicule.
- Ne pas utiliser la tente à moins que l'échelle ne soit solidement installée.
- Ne pas permettre plus d'un adulte à la fois dans l'échelle.
- Ne pas utiliser la tente par vent fort ou neige abondante.
- Ne pas transporter quoi que ce soit par-dessus la tente repliée.
- Ne pas employer d'appareil à flamme nue ou cuisiner dans la tente.

RENSEIGNEMENTS IMPORTANTS SUR LA COMPATIBILITÉ

AVERTISSEMENT : NE PAS EMPLOYER CE PRODUIT SUR UN VÉHICULE COTÉ « NON COMPATIBLE » (NO-FIT)

La liste de compatibilité Yakima (Fit List) comporte maintenant une cote qui confirme la compatibilité pour les tentes de toit pour de nombreux véhicules courants. Cette liste est constamment mise à jour. **Prière de consulter le site www.fitlookup@yakima.com pour consulter la dernière mise à jour.**

Les véhicules que nous avons vus et testés ont reçu une cote «COMPATIBLE» ou «NON COMPATIBLE» (FIT ou NO-FIT) pour la tente SkyRise™. La compatibilité des tentes de toit est différente de celle des autres produits Yakima. **Prière de noter que pratiquement toutes les barres transversales d'origine sont trop souples pour accueillir une tente de toit. C'est pourquoi les véhicules qui figurent sur la liste de compatibilité comme «compatibles» devront tout de même être munis d'un système de base Yakima.** Si nous n'avons pas testé votre véhicule et votre système de porte-bagage en particulier, vous pouvez utiliser la liste de vérification ci-dessous pour évaluer si votre véhicule et son système de porte-bagage peuvent supporter une tente SkyRise.

Rappel : la liste de vérification ci-dessous n'est présentée qu'à titre indicatif et le propriétaire / installateur est seul à assumer le risque et la responsabilité d'une installation qui serait faite sur un véhicule ne figurant pas sur notre liste de compatibilité approuvée.

- Le véhicule et le porte-bagage doivent pouvoir supporter une charge d'au moins 75 kg (165 lb).
- Il serait possible d'employer les pieds Yakima suivants : TimberLine™, SkyLine™, RidgeLine™, RailGrab (avec pinces moyennes ou grandes), ControlTower™, LowRider™, 1A Raingutter™, BedRock™ et Outdoorsman™.
- Employer les barres Yakima rondes, CoreBar™ ou JetStream™.
- Que ce soit pour les glissières d'origine ou les points fixes (voir la figure 1), vérifier que le toit ne se déforme pas quand on y applique une lourde charge.
- Si le véhicule a des longerons surélevés, placer les barres transversales le plus près possible des supports des longerons.
- La distance entre les barres transversales doit se situer entre 66 et 103 cm (26 et 40.5 po).
- Ne pas employer la tente de toit avec des pieds de type «pince» (y compris les pieds Q et BaseLine™) ou les pieds RailGrab™ munis des petites mâchoires ou de l'ergot Pin Adapter.
- Ne pas employer avec des barres transversales d'origine, car elles sont trop flexibles.
- Ne pas positionner la quincaillerie de montage à plus de 2,5 cm (1 po) à l'extérieur des pieds (voir la figure 2).
- Distance maximale entre le dessus des barres transversales et le sol : SkyRise petite = 218 cm (86 po) ; SkyRise moyenne = 249 cm (98 po).
- Ne pas installer sur des longerons en porte-à-faux ou des longerons insuffisamment soutenus (voir la figure 3).

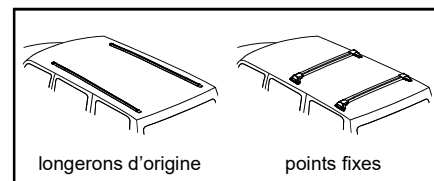


fig. 1

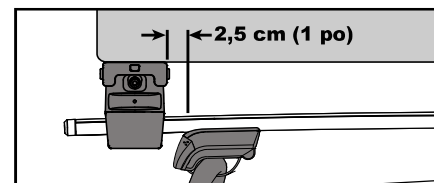


fig. 2

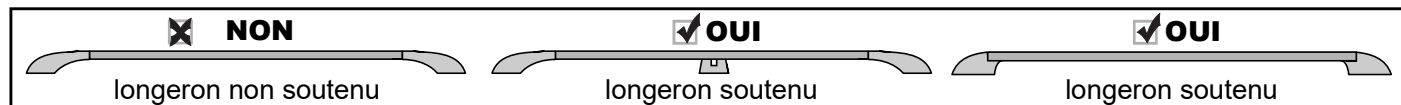


fig. 3

¡LÉAME PRIMERO!

ES

Para su seguridad, complete en línea el registro de garantía de su nuevo producto: www.yakima.com/warranty-registration

ANTES QUE NADA, ¡GRACIAS!

Bienvenido a la familia Yakima. Apreciamos su confianza y estamos seguros de que usted logrará años de sólidos resultados con su nuevo producto Yakima. Más abajo se dan ciertas pistas útiles para que se sienta totalmente satisfecho de su compra. Por favor conserve estas instrucciones.

¡RETENGA
ESTOS
SÍMBOLOS!



=

SEGURIDAD – Para su protección, lea las advertencias importantes de seguridad incluidas en las instrucciones del producto. Esas advertencias están identificadas con este símbolo.



=

PARE – Por favor lea todas las notas importantes incluidas en las instrucciones del producto para asegurarse de realizar una instalación segura o para obtener la información apropiada. Estas notas están identificadas con este símbolo.

COSAS QUE SE HACEN Y OTRAS QUE NO (estas instrucciones contienen advertencias adicionales)

- Pida ayuda a un amigo o al distribuidor para la instalación.
- Utilice la carpa cuando esté estacionado sobre terrenos nivelados.
- Retire la carpa cuando no la utiliza.
- Seque la carpa antes de guardarla.
- Utilice la carpa sobre un suelo plano.
- Cierre completamente la cubierta de la carpa antes de partir con su vehículo.
- Ayude a los niños a subir la escalera.
- Cierre y asegure la cubierta antes de partir con su vehículo.
- No suba sobre el techo de su vehículo.
- No utilice la carpa a menos que la escalera esté asegurada en su lugar.
- No permita que más de un adulto a la vez suba la escalera.
- No utilice la carpa cuando sopla viento fuerte o nieva.
- No transporte ningún objeto encima de la carpa cerrada.
- No encienda fuego ni cocine dentro de la carpa.

INFORMACIÓN IMPORTANTE SOBRE LA COMPATIBILIDAD

ADVERTENCIA - NO UTILICE ESTE PRODUCTO EN UN VEHÍCULO QUE APARECE COMO "NO COMPATIBLE".

La Lista de Compatibilidad de Yakima ahora incluye las compatibilidades aprobadas de las carpas de techo para numerosos vehículos corrientes. Dicha lista se actualiza periódicamente debido a continuos cambios o agregados. **Por favor visite www.fitlookup@yakima.com para conocer las más recientes actualizaciones.**

Los vehículos que hemos visto y probado, son "COMPATIBLES" o "NO COMPATIBLES" para el producto SkyRise™. Las compatibilidades para la carpa de techo son un poco diferentes de las de otros productos Yakima. **Por favor tenga en cuenta que prácticamente todas las barras transversales de fábrica son demasiado flexibles para las carpas de techo. En consecuencia, los vehículos incluidos en la Lista de Compatibilidad aprobada necesitarán además un sistema de base de Yakima.** Si nosotros no hemos probado su vehículo y sistema de soporte en particular, puede utilizar la lista de verificación que sigue para evaluar si su vehículo y el sistema de soportes pueden soportar una carpa para techo SkyRise.

Recuerde: La lista de comprobación que sigue es una guía solamente y el dueño/instalador es el único que asume el riesgo y la responsabilidad de toda instalación que no esté incluida en nuestra Lista de Compatibilidad aprobada.

- El vehículo y el sistema de soporte deben tener capacidad para transportar una carga mínima de 165 lb.
- Las siguientes torres Yakima son potencialmente utilizables: TimberLine™, SkyLine™, RidgeLine™, RailGrab™ (con abrazadera grande o mediana), ControlTower™, LowRider™, 1A Raingutter™, BedRock™ y Outdoorsman™.
- Utilice este producto con las barras Round, CoreBar™ o JetStream™ de Yakima.
- Tanto para las guías de fábrica como para los puntos fijos (consulte la figura 1), asegúrese de que el techo no se deforma cuando se aplican cargas pesadas.
- Para los vehículos con rieles elevados, coloque las barras transversales lo más cerca posible de los soportes de rieles.
- La separación de las barras transversales debe estar entre 26" y 40.5".
- No utilice la carpa de techo con ninguna torre de tipo abrazadera (incluidos los tipos Q y BaseLine™) o las torres RailGrab™ con abrazadera pequeña o perno adaptador.
- No utilice este producto con las barras transversales de fábrica porque son demasiado flexibles.
- No instale los accesorios de fijación a más de 1" de la cara exterior de la torre (consulte la figura 2).
- Distancia máxima desde la parte superior de la barra transversal al suelo; SkyRise pequeña = 86", SkyRise mediana = 98".
- No instale el producto en rieles en voladizo ni en rieles sin suficiente apoyo (consulte la figura 3).

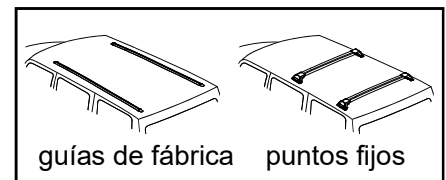


fig. 1

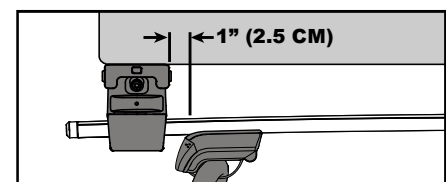


fig. 2

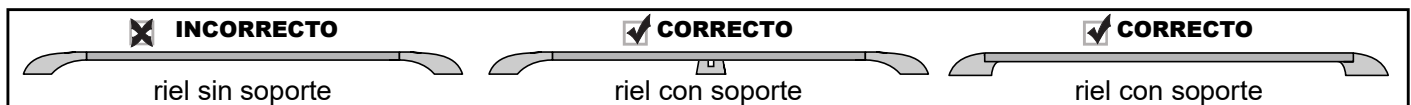


fig. 3

ASSEMBLE AND INSTALL

1 REMOVE THE CONTENTS FROM THE TENT.

Remove the ladder, cover, rainfly rod bag, and mounting hardware box from inside.

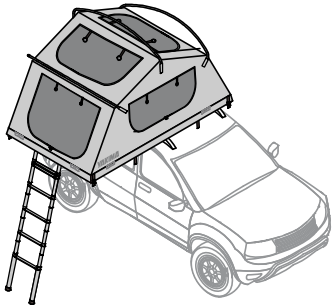
2 OPEN THE TENT.

Lift the side of the tent with the mounting holes into the vertical position, as shown below.

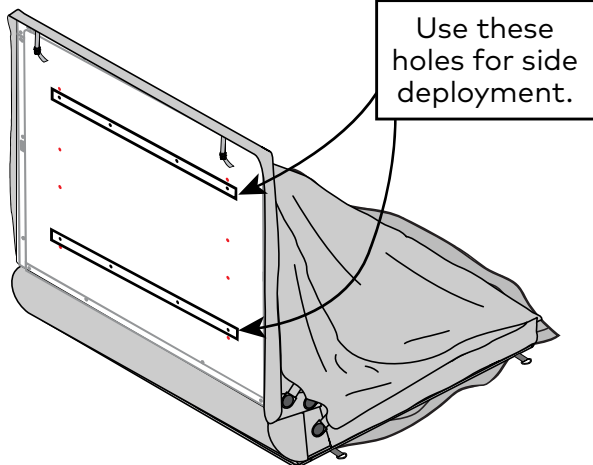
3 DETERMINE THE TENT DEPLOYMENT DIRECTION.

Identify the mounting holes for your deployment direction and use them in the next steps.

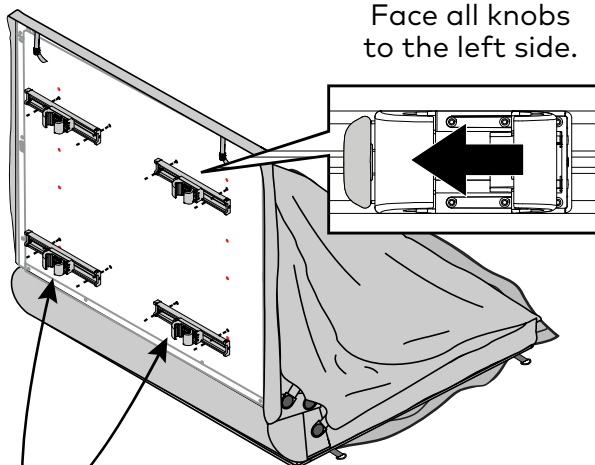
SIDE DEPLOYMENT



Puncture the **black stickers** over the mounting holes you will use.

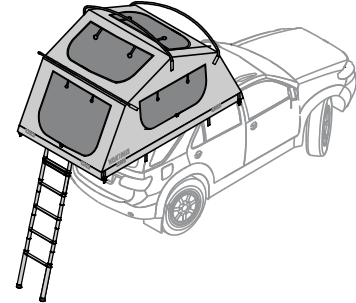


Face all knobs to the left side.

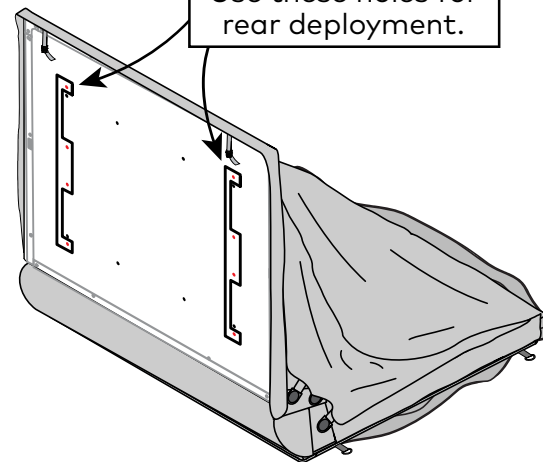


The locks should be on this side.

REAR DEPLOYMENT

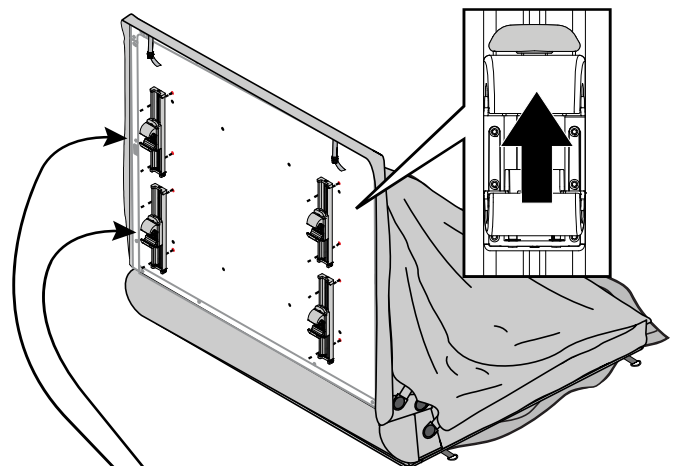


Use these holes for rear deployment.



Puncture the **red stickers** over the mounting holes you will use.

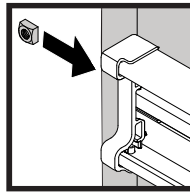
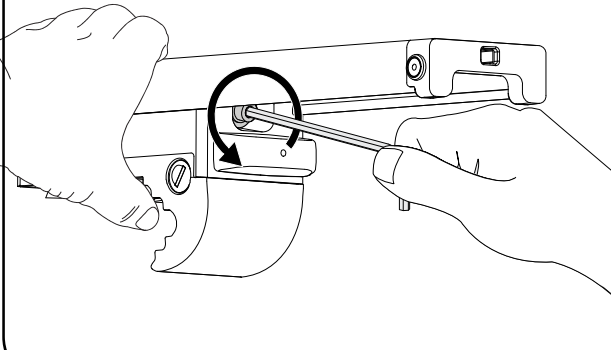
Orient all the knobs upward.



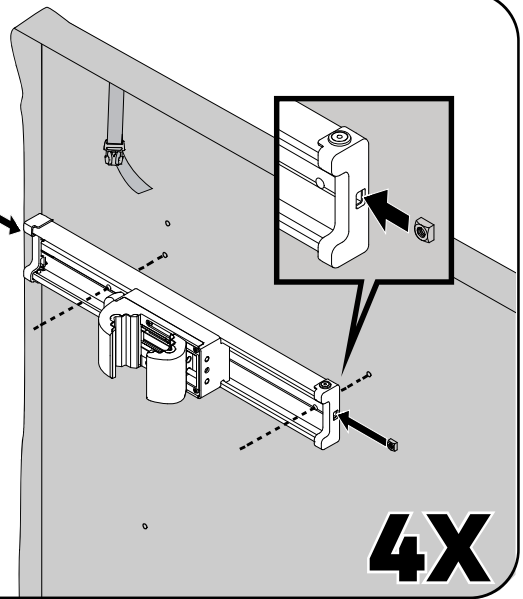
The locks should be on this side.

4 PREPARE THE MOUNTING CLAMPS.

Use the 5 mm hex wrench to loosen the slider-bolt.

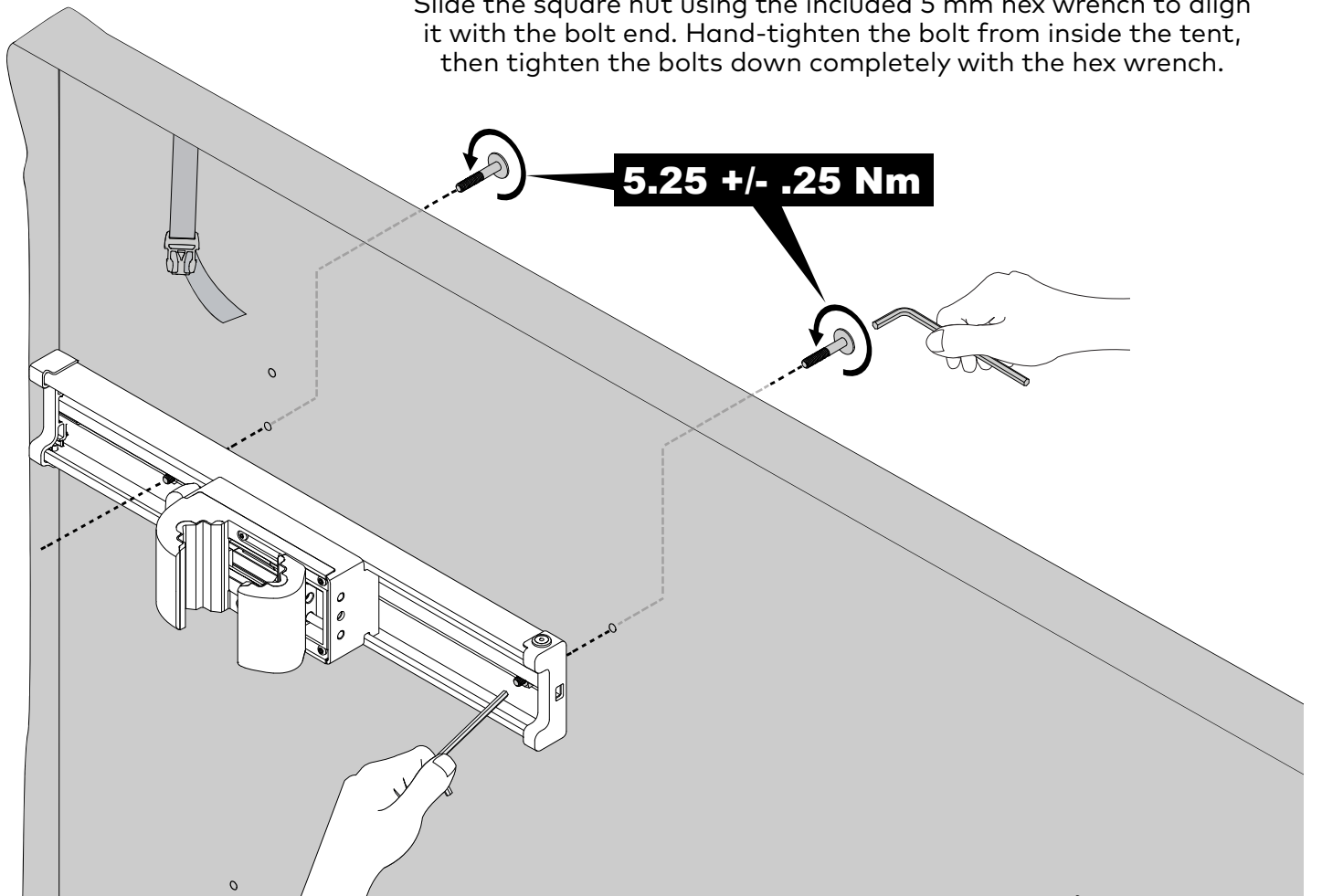


Slide 2 square nuts into each mount and align the mounts with the predrilled holes in the tent floor. Refer to step 2 for orientation.



5 ATTACH THE MOUNTING CLAMPS.

Reach under the mattress, and feed a bolt through the hole. Slide the square nut using the included 5 mm hex wrench to align it with the bolt end. Hand-tighten the bolt from inside the tent, then tighten the bolts down completely with the hex wrench.



TIPS

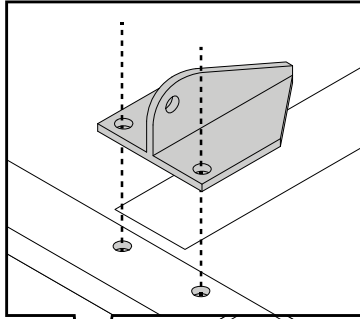
- Have a friend help hold the tent steady.
- Remove the mattress completely for easier access to the holes.



Be sure the knobs all face the same direction and that the locks are on the same side facing outboard (refer to the mount setup in step 2).

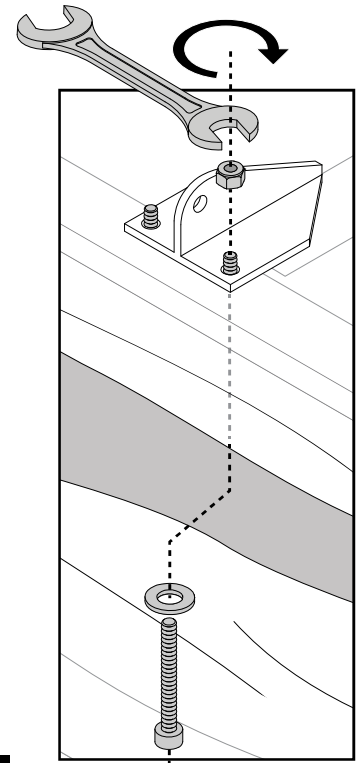
4X

6 ATTACH THE LADDER BRACKETS.



First, flip the SkyRise™ over to rest on the clamps. Then locate the predrilled holes under the stickers near the edge, and remove the stickers.

Orient the brackets as shown, then reach under the mattress and insert 2 of the long bolts with washers up through the floor and bracket. Hand-thread a locknut onto each bolt. Then, using the 8 mm hex wrench and included 13 mm open-ended wrench, tighten the bolts.



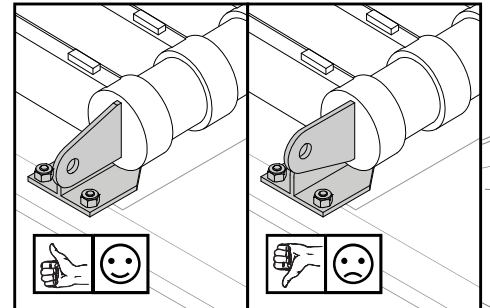
5.25 +/- .25 Nm



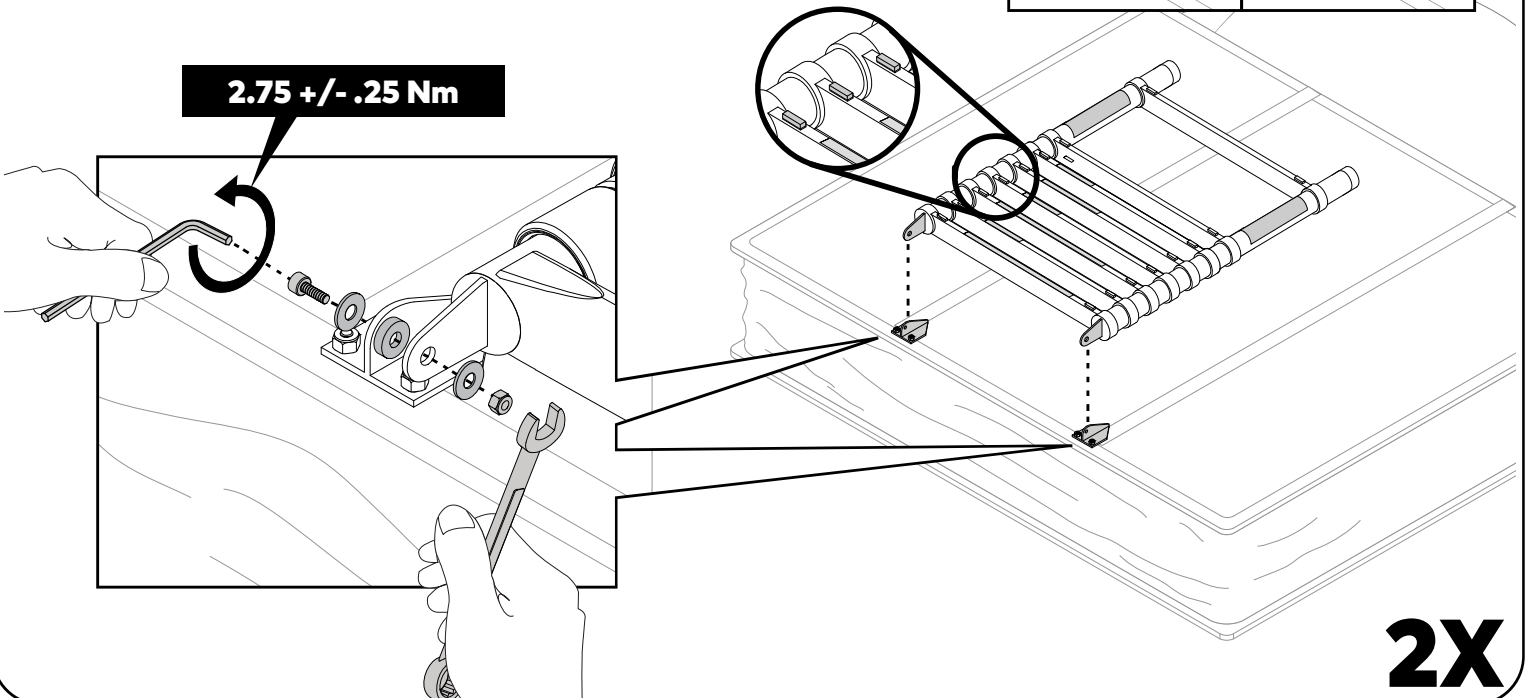
2X

7 ATTACH THE LADDER.

Make sure the information stickers are visible, and the top brackets are oriented with the **FLAT EDGE DOWN**. Secure the ladder with the short bolts, washers, plastic bushings, and lock nuts as shown. Use the 8 mm hex wrench and 13 mm open-ended wrench to tighten the hardware to 2.75 Nm. **BE SURE THE BOLTS ARE FULLY TIGHTENED!**



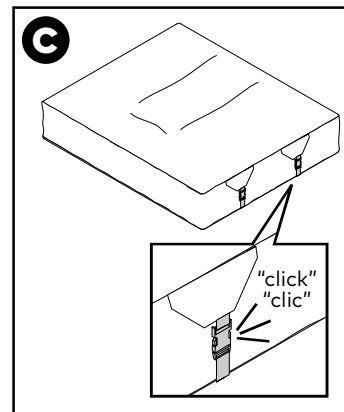
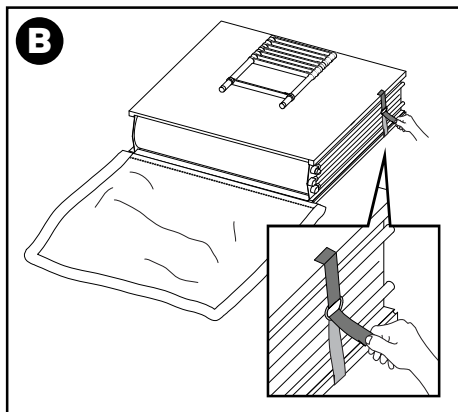
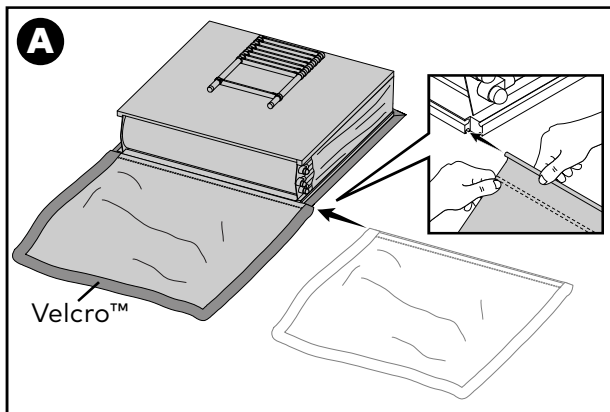
2.75 +/- .25 Nm



2X

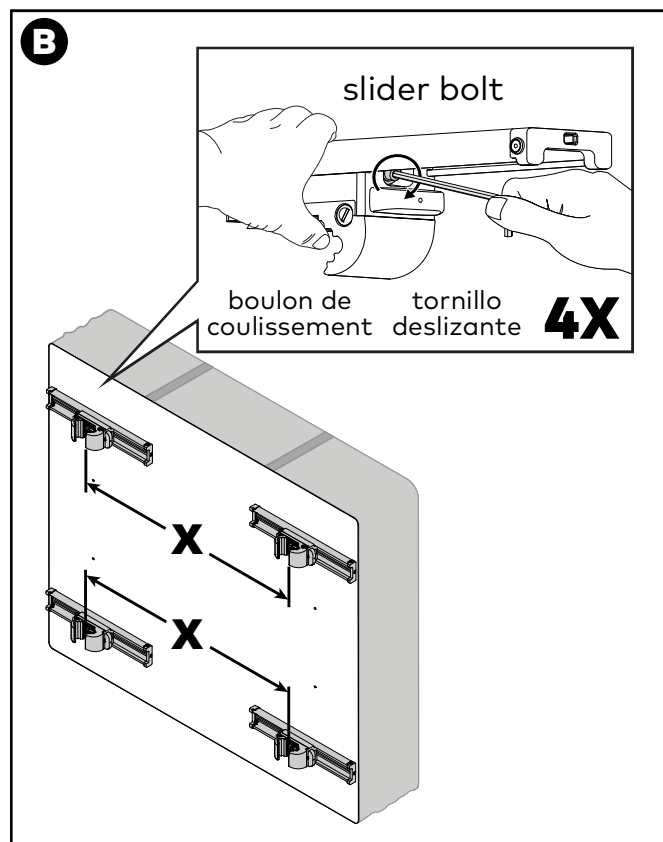
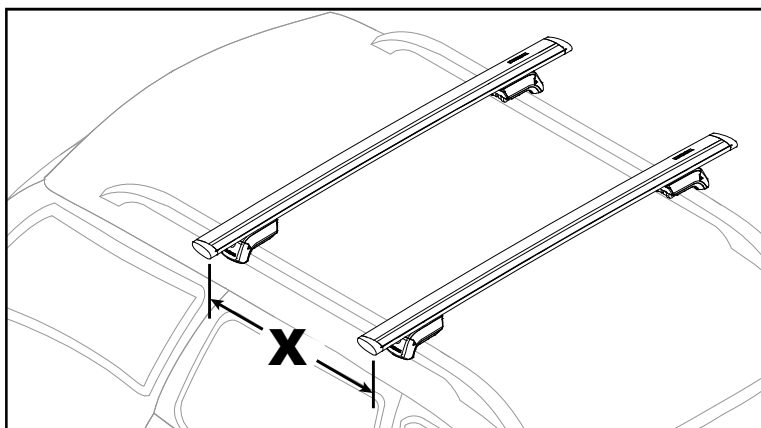
8 INSTALL THE COVER.

- Slide the cover (Velcro™-side-up) into the round channel.
- Secure the tent with its Velcro ties, being sure not to over-tighten.
- Put the cover on, secure the buckles, and zipper closure.

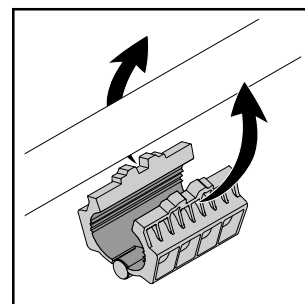
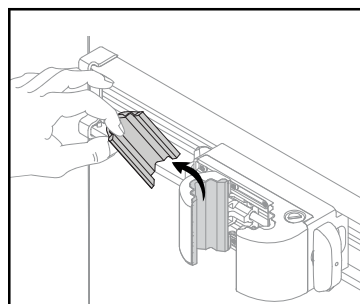


9 PREPARE THE TENT FOR VEHICLE INSTALLATION.

- Measure the distance (X) between the crossbars on your vehicle from the center of the front bar to the center of the rear bar.
- Tilt the SkyRise™ up on its side and open all the clamps completely. Set the distance between the clamps by sliding them along their tracks so they will match-up with your crossbar-spread (X). Be sure to measure from the **fixed side of the clamps** (X). Once set, partially tighten all slider bolts.



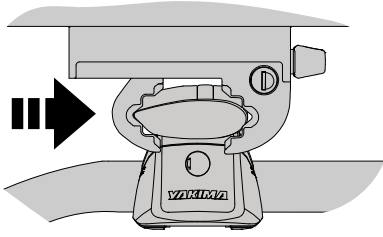
If you have Yakima RoundBars™, you must use the included RoundBar adapters. The adapters go around the RoundBars, and the clamps fit over the adapters. **Make sure to remove the rubber pads from the clamps.**



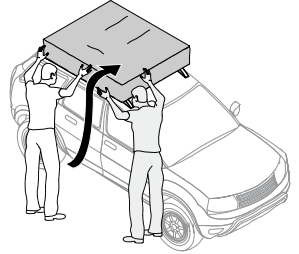
10 INSTALL THE TENT ON YOUR VEHICLE.



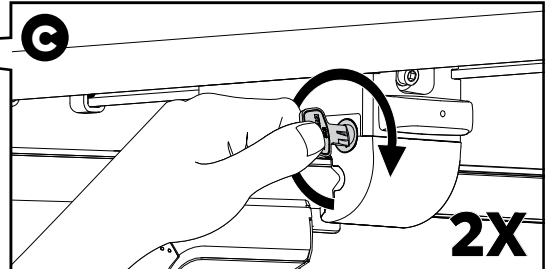
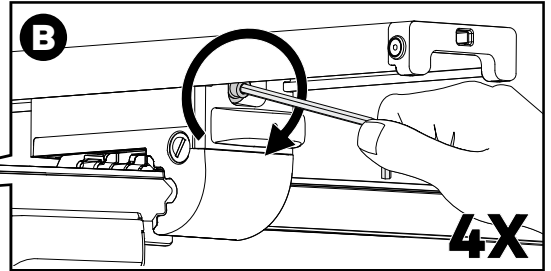
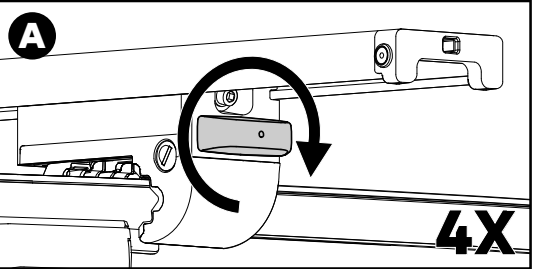
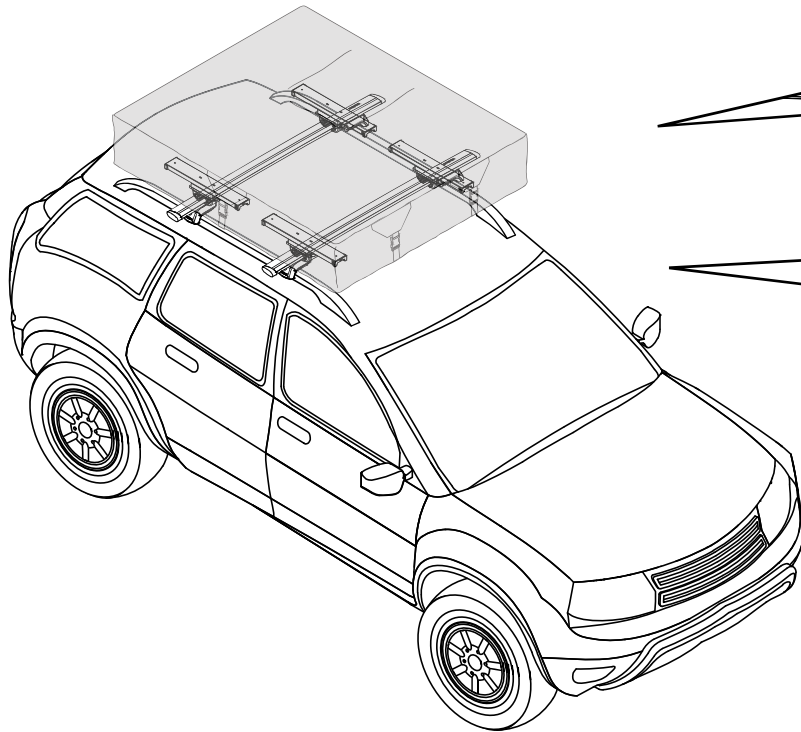
The clamps must seat correctly onto the crossbars or else the tent can slide on the crossbars.



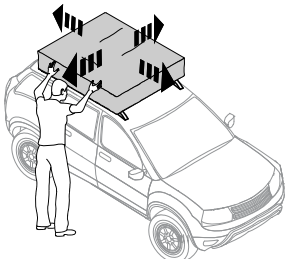
Have a friend help you lift the SkyRise™ onto your vehicle's crossbars.



- A. Tighten the clamps around your crossbars.
- B. Fully tighten the slider bolt on each clamp.
- C. Lock the clamps.



Test the installation and retighten as necessary.



You are now ready to travel to your campsite!

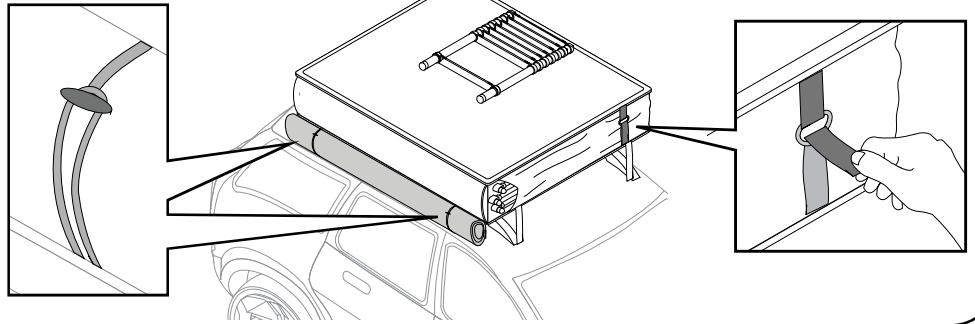


11

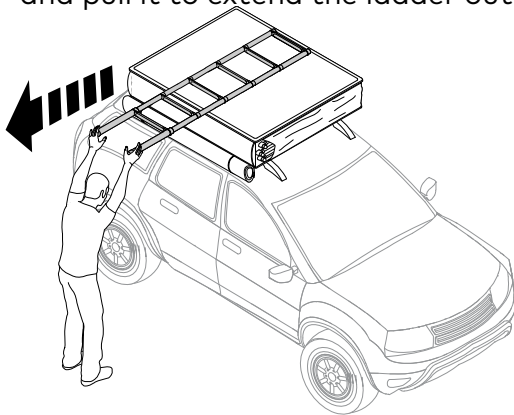
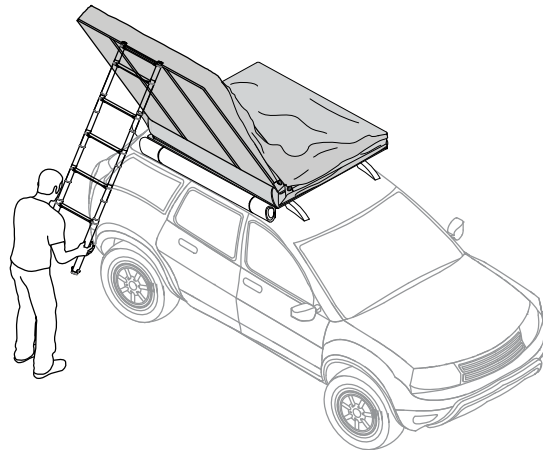
Find a level place to park and apply your parking brake.

12**REMOVE AND SECURE THE COVER.**

Unzip and unbuckle the cover, fold it forward, then roll it up and secure it with the ties. Then release the Velcro™ straps.

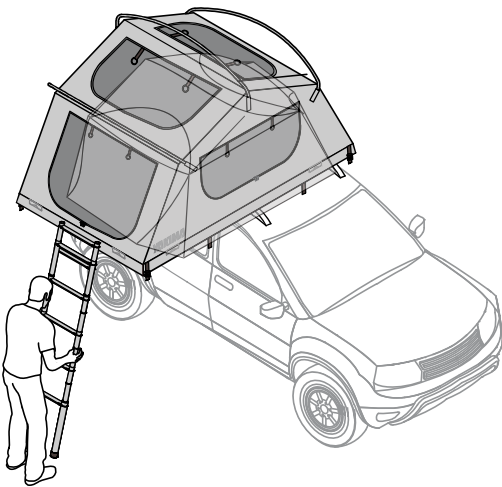
**13****DEPLOY THE TENT AND SET THE LADDER.**

A First, release the strap, then grasp the ladder from the bottom rung, and pull it to extend the ladder out.

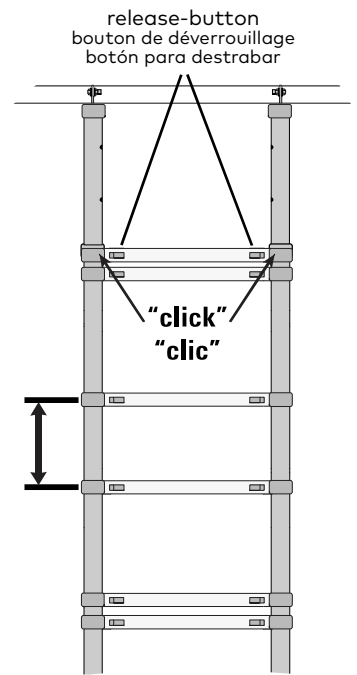
**B**

Push down on the ladder and walk backwards a couple steps. This will force the SkyRise™ to fold out and open up.

C With a secure grasp on the ladder, use it to fully lower the SkyRise™ until it's open and the floor of the tent is flat. Rest the feet of the ladder on the ground.

**D**

- Make sure the top rung is locked out in one of the 3 positions (listen for a "click" as each rung locks into place).
- Adjust the ladder so that the tent platform is level.
- The ladder angle must be between 90° and 75°.
- Unused rungs should be stacked under the top step of the ladder.
- **SkyRise™ is not compatible with ladder extensions.**



- The ladder must remain in place to support the tent.
- Do not retract the ladder while it's in use.
- Read and follow the warnings on the ladder.
- Use caution while climbing up and down the ladder.

14 SET UP THE RAINFLY.

The easiest way to deploy the rainfly is from within the tent. With the rainfly attached to the tent, climb inside, and open the doors and side windows.

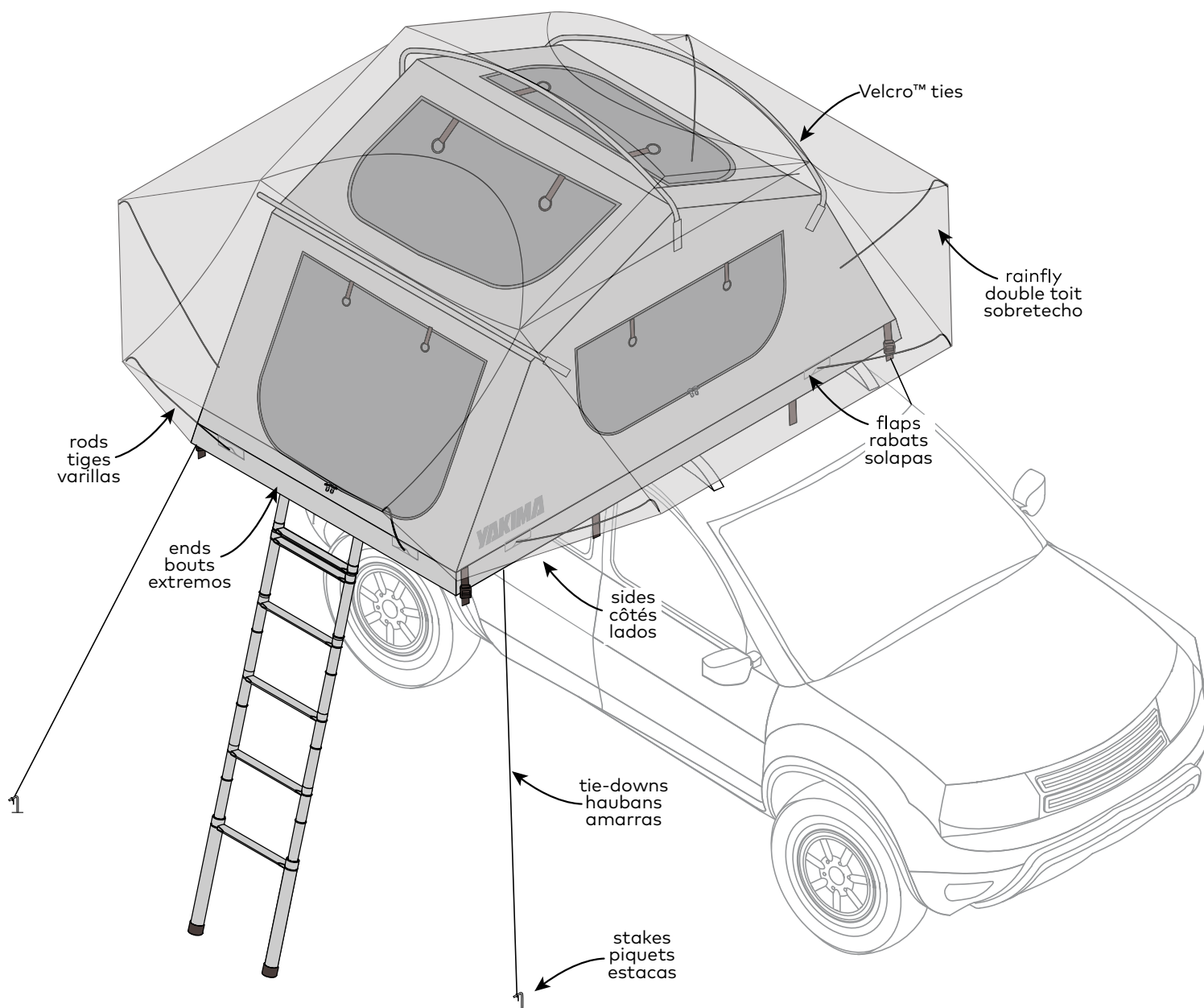
Reach through the side windows and find the 2 flaps on each side of the tent. Place the straight ends of 4 rods into the holes beneath the side flaps and hook the curved ends into the grommet holes on the rainfly.

Reach through the doors and find the 2 flaps on each end of the tent. Place the straight ends of the other 4 rods into the holes beneath the end flaps and hook the curved ends into the grommet holes on the rainfly.
The rods are under tension when installed; do not be directly under a rod while installing or removing them.

The rainfly is removable. It can be detached from the tent by unhooking the buckles and then lifted away with the rainfly hoops.

In windy conditions, use the included ground stakes and tie-downs to anchor your SkyRise™. Tie them to the D-rings found on the frame as shown below.

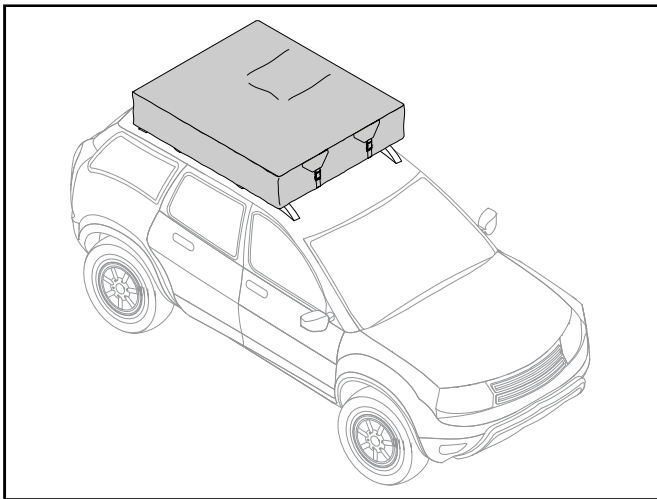
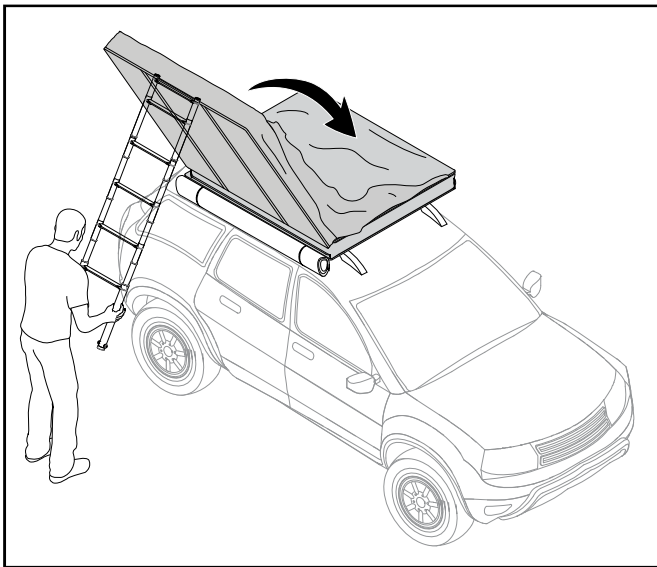
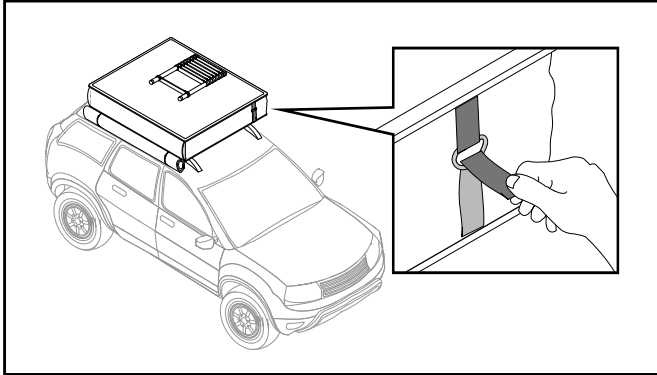
Use the SkyRise™ Medium image below as a guide.



CLOSE AND SECURE

1 CLOSE THE TENT.

Use the ladder to fold the tent back onto itself. Collapse the ladder and fully retract it. Secure the Velcro™ straps. Unroll and replace the protective cover, zip it closed, and buckle it up.

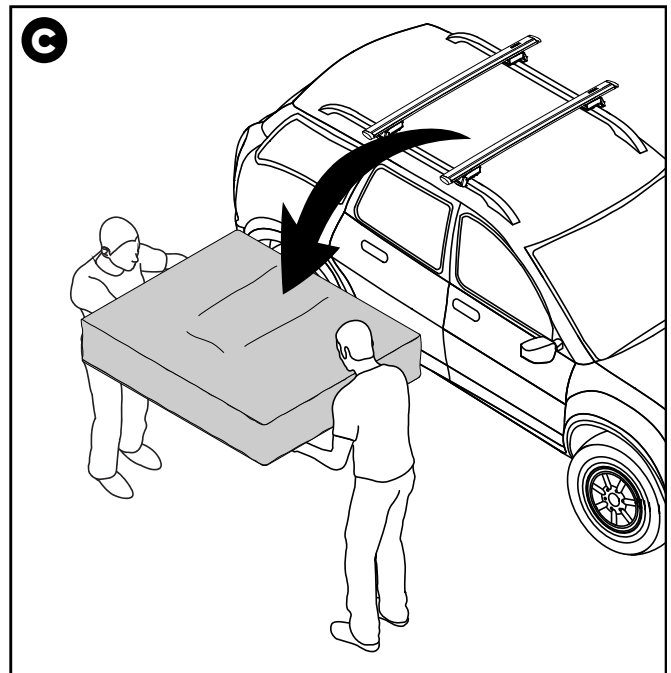
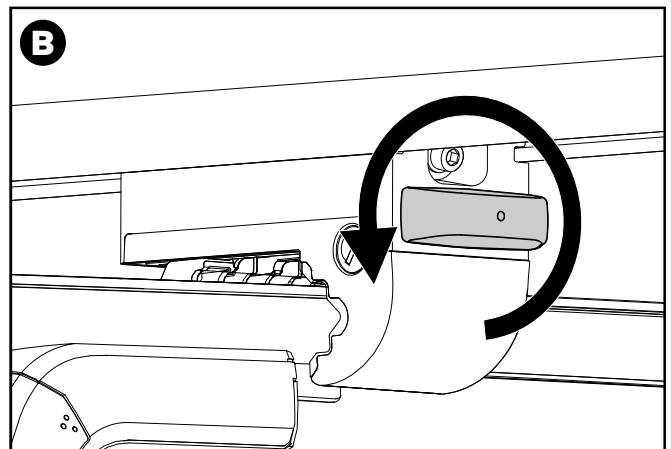
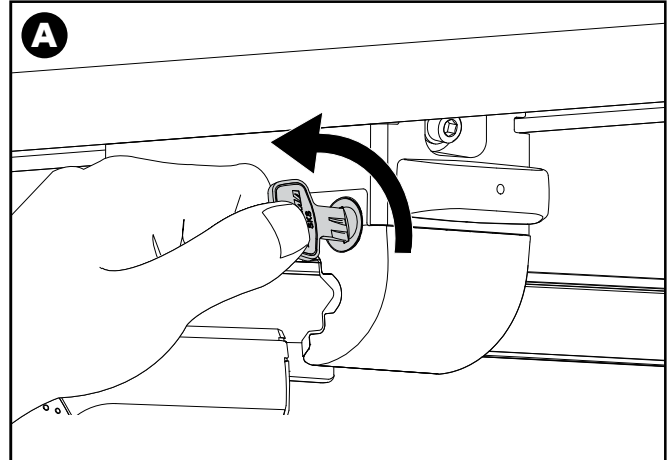


Never operate your vehicle with the SkyRise™ open! You must close and secure your SkyRise before driving.

REMOVAL

1 REMOVE THE TENT.

- Unlock the clamps.
- Fully open clamps.
- With the assistance of a friend, remove the SkyRise™ from your vehicle.



WEIGHT LIMITS



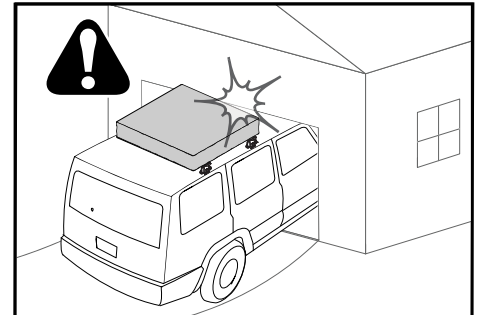
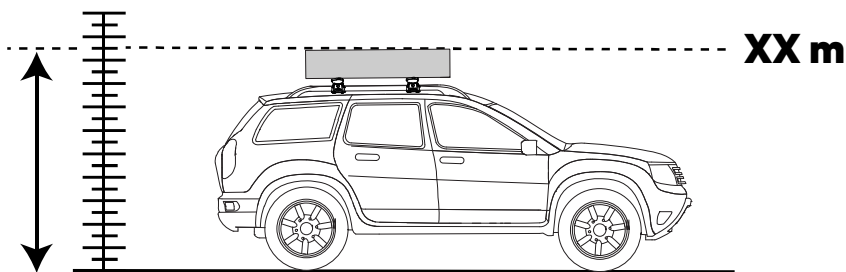
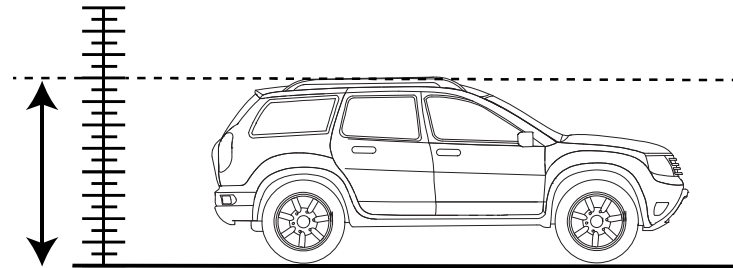
Do not exceed your vehicle's weight limits.

MAXIMUM TENT CAPACITY:

SkyRise™ Small : 400 lbs.
 SkyRise™ Medium: 600 lbs.
 SkyRise™ HD Small : 400 lbs.
 SkyRise™ HD Medium: 600 lbs.

WEIGHTS OF TENTS:

SkyRise™ Small = 95 lbs. (43 Kg)
 SkyRise™ Medium = 115 lbs. (52 Kg)
 SkyRise™ HD Small = 100 lbs. (45 Kg)
 SkyRise™ HD Medium = 120 lbs. (54 Kg)



Record the height here.
 Noter la hauteur ici.
 Escriba aquí la altura.

IMPORTANT WARNINGS

- Remove your tent and Yakima rack before entering an automated car wash.
- Do not use fuel-burning or oxygen-consuming devices inside the tent. These include candles, gas lanterns, kerosene lamps, stoves, and cooking and heating appliances.
- Do not pitch the tent near a campfire or any other flame source.
- Inspect the mounting hardware of the tent before driving away.
- Never extend the ladder beyond the predrilled holes and factory-locking position.
- Do not drill additional holes into the ladder.
- The ladder angle must be between 90° and 75°.

Rack Installation

Improperly mounted roof-racks and tents can come loose during travel and cause serious accidents! Installation, handling, and use must be carried out in accordance with product and roof rack instructions.

Check the attachment hardware and the load to make sure everything is secure.

- Before driving away
- After driving a short distance, following tent install
- At regular intervals on longer trips
- Every 2 hours on bad terrain

Vehicle Driving and Regulations

The speed driven must be suited to the load transported and to official speed limits. When transporting any load, the speed of the vehicle must take into account all conditions such as the state of the road, the surface of the road, traffic conditions, wind, etc. Vehicle handling, cornering, braking, and sensitivity to side winds will change with the addition of rooftop loads.

ROOF-TOP TENT CARE AND MAINTENANCE

Your Yakima rooftop tent is designed to be a durable companion on your adventures. In order to keep it performing at its best, we recommend some simple care and maintenance steps that will help prolong the life of your rooftop tent.

- Prior to each use, inspect your rooftop tent mounting hardware. If necessary, clean with a solution of mild detergent and water. Periodically lubricate the threads on your hardware with a light, synthetic bicycle lubricant to maintain performance.
- Dry your rooftop tent thoroughly before you close it. If unable to properly dry your rooftop tent prior to closing, open it up and air-dry it at your next opportunity.
- Failure to properly dry out your tent can lead to the growth of mold and mildew, which can degrade the tent material, causing discoloration and foul odor. Mold and mildew growth is not covered under your rooftop tent warranty.
- Proper storage of your rooftop tent when not in use will prolong its life. Ensure tent is fully dry prior to storage, and store it in a cool, dry location free from direct sunlight.
- Zippers should be pulled with even force and in gentle fashion. Never force a zipper open or closed as it may damage the zipper. Keep your zippers free from dust and dirt, and periodically apply non-scented bees wax to the zipper-teeth as lubrication. This will prolong the life of your zippers.
- The ladder should be wiped free of any dirt or dust prior to collapsing the tent.
- Periodically wipe down the aluminum telescoping side rails of the ladder with silicone spray and a cloth. DO NOT spray silicone spray directly on the ladder tread surfaces.
- Keep your mattress dry and free from dirt. Prior to closing your rooftop tent, lift your mattress and ensure the underside is dry. Remove mattress and air-dry if necessary. To clean the mattress cover, remove it and machine wash on the gentle-cycle setting with Woolite™ detergent. Then hang-dry. DO NOT TUMBLE-DRY.
- To clean your rooftop tent, use a mild detergent and warm water gently applied with a sponge. Rinse with a clean wet sponge and allow to dry thoroughly.
- If mildew and/or mold have begun to grow on your tent, we recommend cleaning the affected tent fabric by sponging-on a solution of 1 cup Lysol™ mixed in 1 gallon of hot water and allowing it to dry. Next, prepare a solution of 1 cup lemon juice concentrate and 1 cup salt in 1 gallon of hot water. Sponge this solution directly into the affected areas to rinse out the Lysol solution. Then allow it to air-dry completely. Taking these steps will stop the growth of the mildew and help eliminate odor; however, they may not completely remove the stains.
- Avoid excessive sun exposure to your tent to prolong the life of the fabric. Over time, UV rays can degrade tent fabric and waterproof coatings. If your rainfly material begins to break down due to exposure and use, we suggest washing the fabric with mild detergent and water, followed by a treatment of a water repellent such as 303 Fabric Guard™. Consult your local outdoor store for other tent fabric-care products and use as directed.

FRANÇAIS



Consulter le site www.yakima.com/SkyRise™ pour savoir quel porte-bagage est nécessaire pour installer la tente SkyRise™ sur le véhicule.

- ASSEMBLAGE ET INSTALLATION -

1 RETIRER LE CONTENU DE LA TENTE.

Sortir l'échelle, la housse, le sac de tiges pour le double-toit et la boîte de quincaillerie qui se trouvent à l'intérieur.

2 OUVRIR LA TENTE.

Soulever le côté de la tente où se trouvent les trous de montage à la verticale, tel qu'illustré ci-dessous.

3 DÉTERMINER DE QUEL CÔTÉ SE DÉPLIERA LA TENTE.

Puis repérer les trous de montage convenant à ce sens de dépliage : on les utilisera dans les opérations suivantes.

DÉPLIAGE VERS LE CÔTÉ

Pour le dépliage vers le côté, utiliser ces trous.

Percer les collants **noirs** qui recouvrent les trous à utiliser.

Tourner tous les boutons vers la gauche.

Les serrures devraient être de ce côté.

DÉPLIAGE VERS L'ARRIÈRE

Pour le dépliage vers l'arrière, utiliser ces trous.

Percer les collants **rouges** qui recouvrent les trous à utiliser.

Tourner tous les boutons vers le haut.

Les serrures devraient être de ce côté.

4 PRÉPARER LES PINCES DE MONTAGE.

À l'aide de la clé hexagonale de 5 mm, desserrer les boulons de coulissement. Enfiler deux écrous carrés dans chaque profilé et aligner les profilés avec les trous du plancher de la tente. Voir l'opération 2 pour le sens de montage.

5 INSTALLER LES PINCES DE MONTAGE.

Passer la main sous le matelas et enfiler un boulon dans un trou du plancher. À l'aide de la clé de 5 mm fournie, amener l'écrou carré en face du bout du boulon. À la main et depuis l'intérieur de la tente, engager le boulon dans l'écrou. Terminer le serrage de tous les boulons avec la clé hexagonale.

CONSEILS

- Demander à un ami de tenir la tente pour la stabiliser.
- Enlever le matelas complètement pour faciliter l'accès aux trous.



Faire en sorte que les boutons soient tous dans le même sens et que les serrures soient du même côté et tournées vers l'extérieur (voir le sens de montage à l'opération 2).

6 POSER LES ARTICULATIONS DE L'ÉCHELLE.

D'abord, retourner la tente pour qu'elle porte sur les pinces. Repérer les trous percés sous les collants, près du rebord. Enlever les collants.

Orienter les articulations de l'échelle tel qu'illustré. En passant la main sous le matelas, insérer deux des longs boulons munis d'une rondelle à travers le plancher et l'articulation. À la main, engager un écrou autofreiné sur chaque boulon. Puis, serrer les boulons à l'aide de la clé hexagonale de 8 mm et de la clé à fourche de 13 mm fournies.

ESPAÑOL



Visite www.yakima.com/SkyRise™ para determinar qué tipo de rack de techo se necesita para instalar la carpa SkyRise™ en su vehículo.

- ARMADO E INSTALADO -

1 DESEMBALE EL CONTENIDO DE LA CARPA.

Retire del interior la escalera, la cubierta, el bolso de varillas del sobretecho y la caja con los herrajes de montaje.

2 ABRA LA CARPA.

Levante el lado de la carpa que tiene los agujeros de montaje en la posición vertical, como se ilustra más abajo.

3 DETERMINE LA DIRECCIÓN DE INSTALACIÓN DE LA CARPA.

Luego identifique los agujeros de montaje para la dirección de instalación elegida y utilícelos en los pasos siguientes.

INSTALACIÓN LATERAL

Utilice estos agujeros para la instalación lateral.

Pinche las etiquetas **negras** en los agujeros de montaje que utilizará.

Todas las perillas deben quedar del lado izquierdo.

Los cierres deben quedar de este lado.

INSTALACIÓN TRASERA

Utilice estos agujeros para la instalación trasera.

Pinche las etiquetas **rojas** en los agujeros de montaje que utilizará.

Todas las perillas deben quedar hacia arriba.

Los cierres deben quedar de este lado.

4 PREPARE LAS ABRAZADERAS DE MONTAJE.

Con la llave hexagonal de 5 mm afloje el tornillo deslizante.

Deslice las 2 tuercas cuadradas dentro de las piezas de montaje y alinee dichas piezas con los orificios existentes en el piso de la carpa. Consulte el paso 2 para la orientación.

5 FIJE LAS ABRAZADERAS DE MONTAJE.

Localice el agujero debajo del colchón y pase un tornillo por el mismo. Deslice la tuerca cuadrada utilizando la llave hexagonal de 5 mm provista para alinearla con el extremo del tornillo. Apriete el tornillo con la mano desde el interior de la carpa, luego apriételo completamente con la llave hexagonal.

CONSEJOS

- Pídale a alguien que lo ayude a mantener la carpa estable.
- Retire totalmente el colchón para acceder más fácilmente a los agujeros.



Faire en sorte que les boutons soient tous dans le même sens et que les serrures soient du même côté et tournées vers l'extérieur (voir le sens de montage à l'opération 2).

6 FIJE LOS SOPORTES DE LA ESCALERA.

Primero gire la carpa SkyRise™ para que quede encima de las abrazaderas. Localice los agujeros existentes debajo de las etiquetas que están cerca del borde. Retire las etiquetas.

Oriente los soportes como se ilustra. Localice los agujeros existentes debajo del colchón e introduzca hacia arriba dos de los tornillos largos con arandela a través del piso y del soporte. Enrosque con la mano una tuerca en cada tornillo. Luego, utilice las llaves hexagonal de 8 mm y de boca de 13 mm provistas para apretar los tornillos.

FRANÇAIS

7 POSER L'ÉCHELLE.

S'assurer que les collants d'avertissement soient visibles et que LE BORD DROIT DES OREILLES DE L'ÉCHELLE SOIT VERS LE BAS. Fixer l'échelle à l'aide des boulons courts, de rondelles, d'une entretoise en plastique et d'écrous autofreinés tel qu'illustré. Se servir de la clé hexagonale de 8 mm et de la clé à fourche de 13 mm et serrer à 2,75 Nm. **LES BOULONS DOIVENT ÊTRE BIEN SERRÉS !**

8 POSER LA HOUSSE

- Enfiler la housse (côté Velcro^{MC} vers le haut) dans la rainure ronde.
- Attacher la tente avec ses bandes Velcro^{MC}, sans trop les serrer.
- Rabattre la housse, attacher les boucles et fermer la fermeture à glissière.

9 POSER LA HOUSSE

- Mesurer la distance (X) entre les barres transversales du véhicule, du centre de la barre avant au centre de la barre arrière.
- Placer la tente sur le côté et ouvrir toutes les pinces complètement. Régler les pinces à la distance entre les barres (X) en les faisant glisser le long de leur profilé. Mesurer **depuis le côté fixe des pinces (X)**. Une fois ce réglage fait, serrer partiellement tous les BOULONS DE COULISSEMENT.



Si l'on a des barres rondes Yakima, il faut obligatoirement utiliser les adaptateurs inclus. Enfiler les adaptateurs par-dessus les barres, et les pinces s'engageront par-dessus les adaptateurs. Veiller à retirer les garnitures en caoutchouc qui sont sur les pinces.

10 POSER LA TENTE SUR LE VÉHICULE.



Les pinces doivent enserrer les barres correctement, sinon la tente pourra glisser sur les barres.



Avec l'aide d'un ami, monter la tente SkyRise™ sur les barres transversales du véhicule.

- Serrer les pinces sur les barres transversales.
- Serrer complètement le boulon de coulissement de chaque pince.
- Verrouiller les pinces.



Tester l'installation ; resserrer au besoin.

Vous êtes maintenant prêt à vous rendre à votre site de camping !

11 Trouver une place de stationnement de niveau. Serrer le frein de stationnement.

12 ENLEVER ET ROULER LA HOUSSE.

Ouvrir la fermeture à glissière et les boucles de la housse. La replier, la rouler et la fixer avec ses attaches. Puis libérer les sangles Velcro^{MC}.

13 DÉPLIER LA TENTE ET RÉGLER L'ÉCHELLE.

- D'abord détacher la sangle, puis saisir la barre inférieure de l'échelle pour l'étirer.
 - Tirer l'échelle vers le bas et reculer de quelques pas pour forcer la tente à se déplier et à se déployer.
 - En tenant l'échelle fermement, l'utiliser pour déplier la tente complètement, de manière que son plancher soit à plat. Déposer les pieds de l'échelle sur le sol.
 - D.
 - S'assurer que le barreau du haut s'est verrouillé dans une des trois positions (on doit entendre un « clic » quand chaque barreau se bloque).
 - Régler l'échelle de manière que la plateforme de la tente soit de niveau.
 - L'angle de l'échelle doit se situer entre 90 et 75 degrés.
 - Les barreaux qui ne servent pas doivent être empilés en-dessous du barreau supérieur de l'échelle.
- **Ne pas employer d'allonge d'échelle.**



- L'échelle doit rester en place pour soutenir la tente.
- Ne pas replier l'échelle quand la tente est utilisée.
- Lire et respecter les avertissements figurant sur l'échelle.
- Faire preuve de prudence en utilisant l'échelle.

ESPAÑOL

7 FIJE LA ESCALERA.

Asegúrese de que las etiquetas de información queden visibles y de que el BORDE RECTO de los soportes quede HACIA ABAJO. Fije la escalera con los tornillos cortos, arandelas, bujes de plástico y tuercas de seguridad, como se ilustra. Utilice las llaves hexagonal de 8 mm y fija de 13 mm para apretar las piezas de fijación con una fuerza de torsión de 2.75 Nm. **¡ASEGÚRESE DE QUE LOS TORNILLOS QUEDEN COMPLETAMENTE APRETADOS!**

8 INSTALE LA CUBIERTA.

- Deslice la cubierta (con el lado de Velcro™ hacia arriba) en la guía redonda.
- Asegure la carpa con las correas de Velcro™, asegurándose de no apretar demasiado.
- Cierre la cubierta, asegure las hebillas y cierre la cremallera.

9 PREPARE LA CARPA PARA INSTALARLA SOBRE EL VEHÍCULO.

- Mida la distancia (X) entre los centros de las barras transversales delantera y trasera de su vehículo.
- Incline la carpa SkyRise™ sobre uno de los costados. Haga deslizar las abrazaderas a lo largo de las guías para que coincidan con la separación (X) entre las barras transversales. Asegúrese de medir desde **el lado fijo de las abrazaderas (X)**. Una vez que la medida quede ajustada, apriete parcialmente todos los TORNILLOS DESLIZANTES.



Si usted tiene las barras redondas de Yakima, debe utilizar los adaptadores de barras redondas provistos. Estos adaptadores rodean dichas barras y las abrazaderas se fijan a los adaptadores. Asegúrese de retirar las almohadillas de goma de las abrazaderas.

10 INSTALE LA CARPA SOBRE SU VEHÍCULO.



Las abrazaderas deben asentar correctamente sobre las barras, de lo contrario la carpa puede resbalar sobre las barras transversales.



Pídale ayuda a un amigo para subir la carpa SkyRise™ sobre las barras transversales de su vehículo.

- Apriete las abrazaderas que rodean las barras transversales.
- Apriete completamente el tornillo deslizante de cada abrazadera.
- Trabe con llave las abrazaderas.



Pruebe la instalación – vuelva a apretar si es necesario.

¡Ahora usted está listo para ir a acampar!

11 Busque una superficie plana para estacionar. Aplique el freno de estacionamiento.

12 RETIRE Y ASEGURE LA CUBIERTA.

Abra la cremallera y desabroche las hebillas de la cubierta, pliéguela hacia adelante, enróllela y asegúrela con las correas. Luego, desprenda las correas de Velcro™.

13 RETIRE Y ASEGURE LA CUBIERTA.

- Primero libere la correa, luego sujete el peldaño inferior de la escalera y tire hacia atrás para extenderla.
 - Empuje la escalera hacia abajo y camine un par de pasos hacia atrás. Esto hará desplegar y abrir la carpa SkyRise™.
 - Sujete con fuerza la escalera y utilícela para bajar completamente la carpa SkyRise™ hasta que quede abierta y el piso plano. Apoye las patas de la escalera en el suelo.
 - D.
 - Asegúrese de que el peldaño superior esté trabado en una de las 3 posiciones (debe escuchar un "clic" cuando cada peldaño queda trabado en su lugar).
 - Ajuste la escalera de modo que la plataforma de la carpa quede a nivel.
 - El ángulo de la escalera debe estar comprendido entre 90 y 75 grados.
 - Los peldaños no utilizados se deben apilar debajo del peldaño superior de la escalera.
- **SkyRise™ no es compatible con extensiones de escalera.**

FRANÇAIS

14 INSTALLER LE DOUBLE TOIT.

La façon la plus simple de déployer le double toit, c'est depuis l'intérieur de la tente. Avec le double toit fixé à la tente, grimper à l'intérieur et ouvrir les portes et les fenêtres latérales.

Passer la main par une fenêtre de côté et trouver les deux rabats de chaque côté de la tente. Placer le bout droit d'une de quatre tiges dans le trou sous le rabat et accrocher le bout courbe dans la pochette à œillet du double toit.

En passant la main par la porte et la fenêtre qui y fait face, trouver les deux rabats à chaque bout de la tente. Placer le bout droit d'une de quatre tiges restantes dans le trou sous le rabat et accrocher le bout courbe dans la pochette à œillet du double toit. **Une fois posées, les tiges sont sous tension. Ne pas se tenir directement sous une tige quand on la pose ou la dépose.**

Le double toit est amovible. On peut le détacher de la tente en décrochant les boucles et le soulever avec ses arceaux.

S'il vente, ancrer la tente au sol à l'aide des haubans et des piquets inclus. Fixer les haubans aux anneaux en D du cadre, tel qu'illustré ci-dessous.

Utiliser cette illustration de la SkyRise™ moyenne comme guide.

- PLIAGE ET ARRIMAGE -

1 PLIAGE DE LA TENTE.

Utiliser l'échelle pour replier la tente sur elle-même. Rétracter l'échelle complètement. Rattacher les bandes Velcro™. Dérouler et remettre en place la housse de protection, refermer la glissière et rattacher les boucles.



Ne jamais conduire le véhicule avec la tente dépliée ! Il faut obligatoirement replier et arrimer la tente SkyRise™ avant de déplacer le véhicule.

- DÉPOSE -

1 DÉPOSE DE LA TENTE.

- Déverrouiller les pinces.
- Ouvrir les pinces complètement.
- Avec l'aide d'un ami, retirer la tente SkyRise™ du véhicule.

- LIMITES DE CHARGEMENT -



Ne pas dépasser les limites de chargement du véhicule.

CAPACITÉ MAXI DE LA TENTE

SkyRise™ petite : 400 lbs.
SkyRise™ moyenne : 600 lbs.
SkyRise™ HD petite : 400 lbs.
SkyRise™ HD moyenne : 600 lbs.

POIDS DES TENTES :

SkyRise™ petite : 181 kg (400 lb)
SkyRise™ moyenne : 272 kg (600 lb)
SkyRise™ HD petite : 181 kg (400 lb)
SkyRise™ HD moyenne : 272 kg (600 lb)

- AVERTISSEMENTS IMPORTANTS -

- Déposer la tente et le porte-bagage Yakima avant d'entrer dans un lave-auto automatique.
- Ne pas employer d'appareils à combustible, et qui consomment de l'oxygène, à l'intérieur de la tente. Par exemple : des chandelles, des lanternes à combustible, des lampes à huile, des appareils de cuisson ou de chauffage.
- Ne pas monter la tente près d'un feu de camp ou de toute autre flamme.
- Inspecter la quincaillerie de montage de la tente avant de prendre la route.
- Ne jamais allonger l'échelle au-delà des trous qui y sont présents et des positions de verrouillage d'origine.
- Ne pas percer de trous supplémentaires dans l'échelle.
- L'angle de l'échelle doit se situer entre 90 et 75 degrés.

Installation du porte-bagage

Si le porte-bagage ou la tente sont mal installés, ils pourraient se détacher en chemin et provoquer un accident grave ! Leur pose, leur manutention et leur utilisation doivent être conformes aux instructions visant le produit et le porte-bagage.

Vérifier que la quincaillerie de fixation et la charge ne présentent pas de jeu ou de défauts :

ESPAÑOL



- La escalera debe permanecer en su lugar para sostener la carpa.
- No la retraiga mientras la carpa está en uso.
- Lea y respete las advertencias dadas para la escalera.
- Tenga cuidado cuando suba o baje de la escalera.

14 INSTALE EL SOBRETecho.

La manera más fácil de desplegar el sobretecho es desde el interior de la carpa. Entre a la carpa con el sobretecho fijado a la misma y abra las puertas y ventanas laterales.

A través de las ventanas laterales identifique las 2 solapas en cada lado de la carpa. Coloque los extremos rectos de las 4 varillas en los orificios inferiores de dichas solapas y enganche los extremos curvados en los ojales del sobretecho.

A través de la puerta y de la ventana del extremo opuesto identifique las 2 solapas de ambos extremos de la carpa. Coloque los extremos rectos de las otras 4 varillas en los orificios inferiores de dichas solapas y enganche los extremos curvados en los ojales del sobretecho. Una vez instaladas, las varillas quedan tensionadas. **Evite estar directamente debajo de una varilla durante su instalación o desinstalación.**

El sobretecho es desmontable. Para separarlo de la carpa hay que desenganchar las hebillas y levantarlo con los aros sujetadores.

Con vientos fuertes, utilice las estacas de tierra provistas y ate las amarras a la carpa SkyRise™. Átelas a los anillos en forma de D que se encuentran en el armazón, como se ilustra más abajo.

Utilice esta imagen del SkyRise™ mediano como guía

- ACIERRE Y ASEGURADO -

1 CIERRE LA CARPA.

Utilice la escalera para plegar la carpa sobre sí misma. Retráigala completamente y asegúrela con las correas de Velcro™. Desenróllela y vuelva a colocar la cubierta protectora, cierre la cremallera y abroche las hebillas.



¡Nunca conduzca con la carpa SkyRise™ abierta! Usted debe cerrarla y asegurarla antes de partir.

- DESMONTAJE -

1 DESARME LA CARPA.

- Abra la cerradura de las abrazaderas.
- Abra completamente las abrazaderas.
- Con la ayuda de otra persona, retire la carpa SkyRise™ de su vehículo.

- LÍMITES DE PESO -



No exceda los límites de peso del vehículo.

CAPACITÉ MAXI DE LA TENTE

SkyRise™ pequeña: 400 lbs.
SkyRise™ mediana: 600 lbs.
SkyRise™ HD pequeña: 400 lbs.
SkyRise™ HD mediana: 600 lbs.

PESO DE LAS CARPAS:

SkyRise™ pequeña 95 lbs. (43 kg)
SkyRise™ mediana 115 lbs. (52 kg)
SkyRise™ HD pequeña 100 lbs. (45 kg)
SkyRise™ HD mediana 120 lbs. (54 kg)

- ADVERTENCIAS IMPORTANTES -

- Retire la carpa y el rack Yakima antes de entrar en un lavadero automático de vehículos.
- No utilice ningún elemento o aparato alimentado a combustible dentro de la carpa porque consumen oxígeno. Estos incluyen: velas, linternas de gas, lámparas de querosén, hornillos y aparatos de cocción o de calefacción.
- No arme la carpa cerca de una fogata o de ninguna otra fuente de calor.
- Verifique los herrajes de montaje de la carpa antes de partir.
- Nunca extienda la escalera más allá de los orificios existentes y de la posición de las fijaciones de fábrica.
- No perforo ningún orificio adicional en la escalera.
- El ángulo de la escalera debe estar comprendido entre 90 y 75 grados.

Instalación de los soportes

¡Si la carpa y los soportes del techo no están fijados de manera adecuada se pueden aflojar durante un viaje y causar accidentes

FRANÇAIS

- Avant de prendre la route.
- Après avoir parcouru une courte distance, suite à l'installation de la tente sur le véhicule.
- À intervalles réguliers lors d'un long voyage.
- Toutes les deux heures en terrain accidenté.

Conduite du véhicule et réglementation

La vitesse du véhicule doit convenir à la charge transportée et respecter les limites de vitesse imposées.

Quand on transporte une charge quelconque, la vitesse à laquelle on conduit le véhicule doit prendre en compte toutes les conditions, telles que l'état de la route, la surface de la route, les conditions de la circulation, le vent, etc. La tenue de route du véhicule, son comportement en virage, sa capacité de freinage et sa sensibilité aux vents latéraux seront modifiés par la présence d'une charge sur le toit.

- SOIN ET ENTRETIEN DE LA TENTE DE TOIT -

Cette tente de toit a été conçue pour vous accompagner dans vos aventures pendant longtemps. Pour qu'elle continue de vous donner satisfaction, voici quelques recommandations simples concernant les soins à lui prodiguer et son entretien afin d'en prolonger la vie utile.

Avant chaque utilisation, inspecter la quincaillerie de montage de la tente. Au besoin, la nettoyer avec une solution de savon doux et d'eau. Lubrifier périodiquement les filets de la quincaillerie avec un lubrifiant synthétique léger pour vélo pour qu'elle fonctionne bien.

Sécher la tente complètement avant de la replier. Si cela n'est pas possible, la déplier et la laisser sécher à l'air libre à la première occasion. Un séchage insuffisant de la tente pourrait provoquer l'apparition de moisissures, qui peuvent endommager la toile de la tente, la décolorer et générer de mauvaises odeurs. L'apparition de moisissures n'est pas couverte par la garantie de la tente.

Le bon entreposage de la tente quand elle ne sert pas prolongera sa durée de vie. S'assurer qu'elle est bien sèche avant de l'entreposer dans un endroit frais et sec, à l'abri de la lumière directe du soleil.

On doit actionner les fermetures à glissière doucement et avec une force régulière. Ne jamais forcer le curseur car cela pourrait endommager la fermeture. Protéger les fermetures à glissière de la saleté et de la poussière et appliquer périodiquement sur leurs dents de la cire d'abeille non parfumée pour les lubrifier. Cela en prolongera la vie utile.

Il faut essuyer la saleté et la poussière de l'échelle avant de replier la tente. De temps à autre, essuyer les montants télescopiques en aluminium de l'échelle avec un chiffon sur lequel on aura vaporisé un lubrifiant à la silicone. NE PAS vaporiser ce lubrifiant directement sur les barreaux de l'échelle. Garder le matelas sec et propre. Avant de replier la tente, soulever le matelas et vérifier que le dessous est sec. Enlever le matelas et le faire sécher à l'air libre au besoin. Pour nettoyer la housse du matelas, retirer la housse et la laver à la machine au cycle délicat avec du savon Woolitemc. La laisser sécher suspendue, NE PAS SÉCHER À LA MACHINE.

Pour nettoyer la tente, employer un savon doux et de l'eau tiède en l'appliquant doucement avec une éponge. Rincer à l'eau avec une éponge propre et laisser sécher complètement.

Si des moisissures sont apparues sur la tente, nous recommandons de laver la zone affectée à l'aide d'une éponge imbibée d'une solution de 250 ml de Lysolmc dilué dans quatre litres d'eau chaude. Laisser sécher. Ensuite, préparer une solution de 250 ml de jus de citron concentré et de 250 ml de sel, dilués dans quatre litres d'eau chaude. Appliquer cette solution à l'éponge sur les zones traitées au Lysolmc pour les rincer. Laisser sécher à l'air complètement. Ces opérations arrêteront la propagation de la moisissure et aideront à éliminer l'odeur, mais ne feront peut-être pas complètement disparaître les taches.

Pour prolonger la vie du tissu, éviter de trop exposer la tente au soleil. À la longue, les rayons UV peuvent dégrader le tissu et l'enduit imperméabilisant de la tente. Si le double toit montre des signes de détérioration causée par l'exposition au soleil et l'usage, nous suggérons de le laver avec un savon doux et de l'eau et de le traiter ensuite avec un imperméabilisant comme le 303 Fabric Guardmc. Un magasin de plein air pourra recommander d'autres produits d'entretien pour toiles de tente. Suivre les instructions pour les employer.

ESPAÑOL

graves! La instalación, manipulación y uso se deben realizar respetando las instrucciones del producto y de los soportes de techo. Verifique los accesorios de fijación y la carga para asegurarse de que estén bien ajustados y en buenas condiciones:

- Antes de salir de viaje.
- Tras conducir una distancia corta después de instalar la carpa sobre el vehículo.
- A intervalos regulares durante los viajes más largos.
- Cada dos horas en terrenos accidentados.

Conducción del vehículo y reglamentaciones

Se debe conducir a una velocidad que tenga en cuenta la carga transportada y que respete los límites de velocidad reglamentarios.

Quando se transportan cargas sobre el techo, se debe circular a una velocidad que tenga en cuenta todas las condiciones circundantes, como el estado de la ruta, la superficie del camino, las condiciones del tráfico, el viento, etc. El manejo del vehículo, así como el frenado, agarre en las curvas y la influencia de los vientos de costado, cambian cuando se adicionan cargas sobre el techo.

- CUIDADO Y MANTENIMIENTO DE LAS CARPAS DE TECHO -

La carpa de techo está diseñada para acompañarle durante mucho tiempo en sus paseos al aire libre. Con el fin de conservarla en perfecto estado, le recomendamos algunos pasos simples para el cuidado y mantenimiento que ayudarán a prolongar la vida útil de la carpa de techo.

Antes de cada uso, examine los herrajes de montaje de la carpa de techo. Si es necesario, límpielos con una solución de detergente suave y agua. Lubrique periódicamente las roscas de los herrajes con un lubricante sintético liviano para bicicletas con el fin de mantener el buen funcionamiento.

Seque completamente la carpa de techo antes de cerrarla. Si no puede secarla adecuadamente antes de cerrarla, ábrala y ventílela en la primera oportunidad que se le presente. Si el secado es inadecuado, es posible que se desarrollen hongos y moho que podrían degradar el material de la carpa, causar su descoloración y provocar un olor nauseabundo. El desarrollo de hongos y de moho no está cubierto por la garantía de la carpa de techo.

Un almacenaje apropiado durante los períodos que no está en uso prolongará la vida útil de la carpa de techo. Asegúrese de que esté completamente seca antes de guardarla en un lugar seco y fresco, sin incidencia directa de la luz solar.

Las cremalleras se deben tirar con una fuerza uniforme y de manera suave. Nunca fuerce una cremallera abierta o cerrada porque puede dañarla. Mantenga las cremalleras libres de polvo y suciedad y lubríquelas periódicamente con cera de abejas no perfumada. Esto prolongará la vida de las cremalleras.

La escalera se debe limpiar y dejar libre de suciedad o polvo antes de desplegar la carpa. Limpie periódicamente los largueros telescópicos laterales de aluminio de la escalera con un aerosol a base de silicona y un paño. NO ROCÍE directamente con dicho aerosol las superficies de los peldaños de la escalera. Mantenga el colchón seco y limpio. Antes de cerrar la carpa de techo levante el colchón y asegúrese de que la superficie inferior esté seca. Si es necesario, retire el colchón y déjelo secar al aire libre. Para lavar la cubierta del colchón, quítela y lávela en un lavavarpas utilizando el detergente Woolite™ y el ciclo suave de lavado. Cuélguela para se seque. NO SE DEBE SECAR EN LA MÁQUINA.

Para limpiar la carpa de techo utilice agua tibia con un detergente suave aplicados cuidadosamente con una esponja. Enjuague con una esponja húmeda y limpie y deje que la carpa se seque completamente.

Si detecta el desarrollo de hongos y/o de moho en la carpa, le recomendamos limpiar la parte de la tela afectada utilizando una esponja embebida en una solución compuesta de 1 taza de Lysol™ mezclada en 1 galón de agua caliente y dejar que se seque. Luego, prepare una solución compuesta de 1 taza de jugo de limón concentrado y de 1 taza de sal mezclada con 1 galón de agua caliente. Pase la esponja con esa solución directamente en las áreas afectadas para retirar la solución de Lysol. Deje secar completamente al aire libre. Tomando estas medidas se puede detener el desarrollo de moho y ayudar a eliminar el olor, aunque es posible que las manchas no puedan eliminarse completamente.

Para prolongar la vida de la tela de la carpa, evite su exposición excesiva al sol. Con el tiempo, los rayos UV pueden degradar la tela y los revestimientos a prueba de agua. Si el material del sobretecho comienza a degradarse debido a la exposición y uso, le sugerimos lavarlo con agua y un detergente suave y aplicar a continuación un tratamiento de impermeabilización, como el 303 Fabric Guard™. Consulte un vendedor local de materiales para el aire libre con el fin de conocer otros productos existentes para el cuidado de la tela de carpas y utilizarlos siguiendo las instrucciones.



www.yakima.com

For any problems or questions with this product, please contact Yakima before returning it to the retailer who sold the product.

Pour tout problème ou toute question concernant ce produit, prière de contacter Yakima avant de retourner chez le détaillant de qui on a acheté le produit.

Por todo problema o pregunta en relación con este producto, por favor comuníquese con Yakima antes de contactar al minorista que le vendió el producto.

YAKIMA PRODUCTS, INC.

4101 KRUSE WAY
LAKE OSWEGO, OR
97035-2541
USA
yakima.com/support
888-925-4621

YAKIMA AUSTRALIA PTY LTD

17 Hinkler Court
Brendale, QLD 4500
Australia
1800 143 548
www.yakima.com.au
www.yakima.co.nz
www.yakima.eu