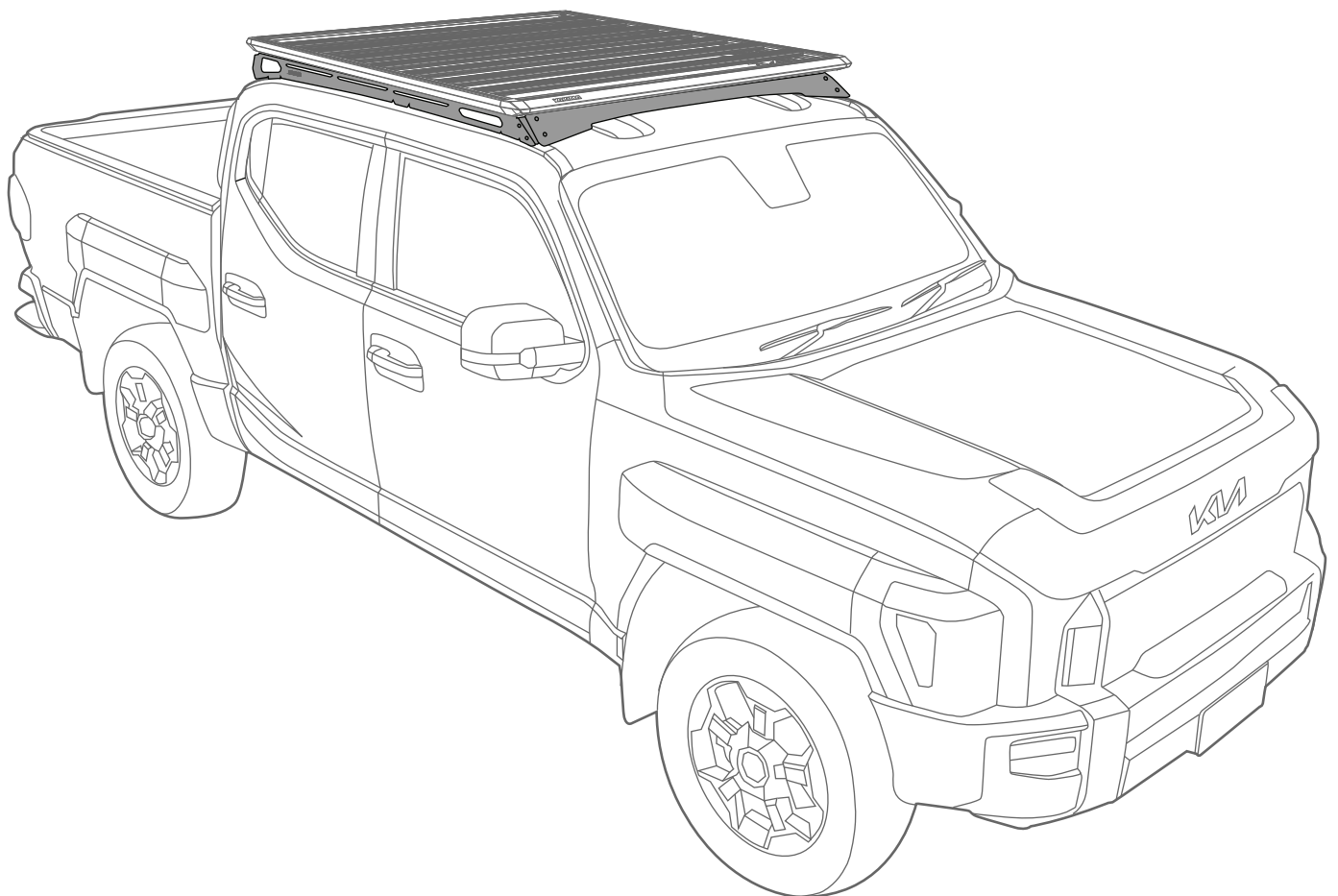


**FIRST TIME INSTALLATION**

- Please refer to our website for the latest version of the fit listing & for the latest version of the instructions.
- Please read instructions carefully before installation.
- Check the contents of kit. Contact your YAKIMA dealer if any parts appear missing, incorrect or damaged.
- Clean your roof thoroughly prior to fitting the LockNLoad RuggedLine HD.
- Place these instructions in the vehicle's glove box after installation is complete.

**THIS MOUNTING KIT REQUIRES KIA TASMAN TRACK KIT 8001816 TO BE INSTALLED FIRST.**

## LOAD RATING



### PRODUCT LOAD RATING WITH PLATFORM & TRIMHD BARS

	<b>DYNAMIC</b>	LOAD RATING UP TO:	<b>100 kg</b> <b>220 lbs</b>
	<b>STATIC</b>	LOAD RATING UP TO:	<b>272 kg</b> <b>600 lbs</b>

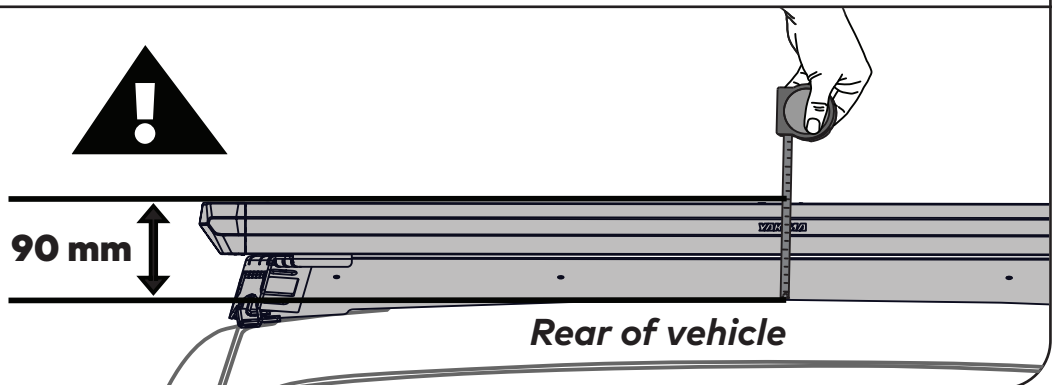
- **LOAD = WEIGHT OF PLATFORM or BARS + MOUNTING SYSTEM + ACCESSORIES + CARGO**
- **PLEASE REFER TO VEHICLE MANUFACTURER SPECIFICATIONS FOR MAX ROOF LOAD CAPACITY OF VEHICLE. THE LOWEST LOAD RATING APPLIES.**
- **SCAN QR CODE FOR MORE INFORMATION ON LOAD RATINGS AND OFFROAD REDUCTIONS.**



## ROOF CLEARANCE



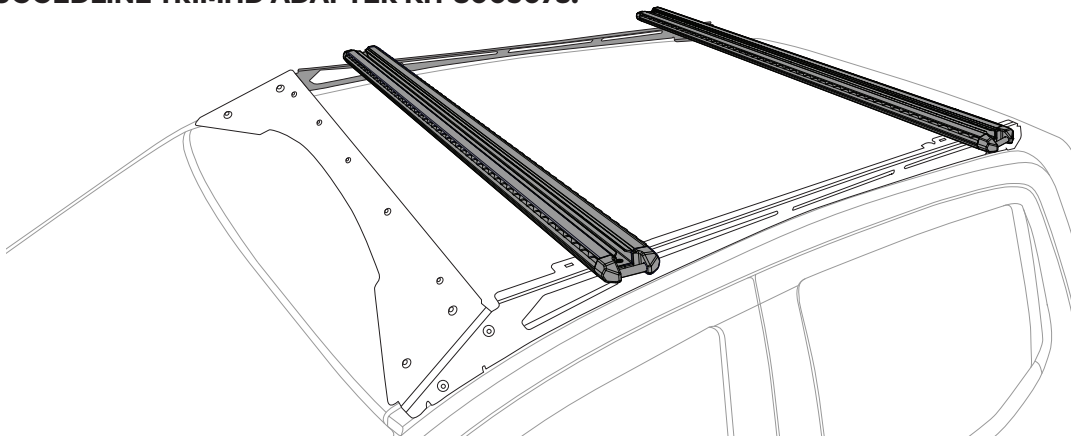
SYSTEM HEIGHT: **90 mm**

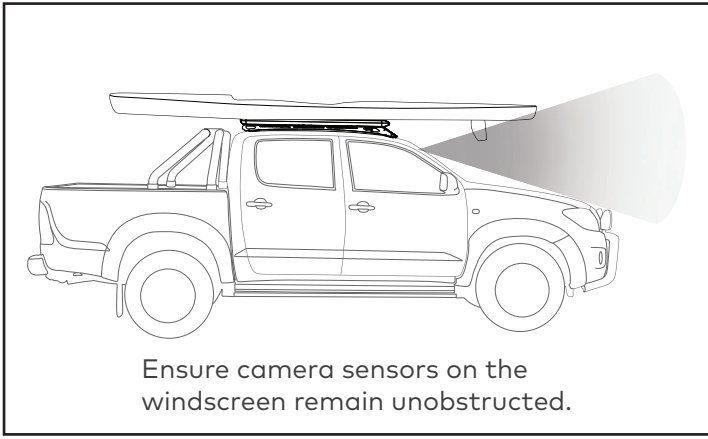


**PLATFORM & TRACK SOLD SEPARATELY. COMPATIBLE WITH LNL PLATFORMS:**  
**8005084 1530 mm L X 1495 mm W (PRE-ASSEMBLED)**  
**8005095 1530 mm L X 1495 mm W (UNASSEMBLED)**  
**ALSO COMPATIBLE WITH LNL PLATFORM 'S' (9820378) 1485 mm W X 1530 mm L**

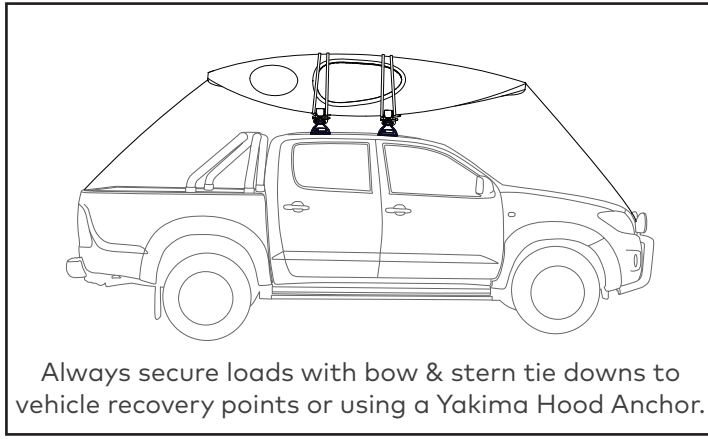


**ALSO COMPATIBLE WITH 1500 MM TRIMHD BARS 9813518 USING RUGGEDLINE TRIMHD ADAPTER KIT 8005073.**

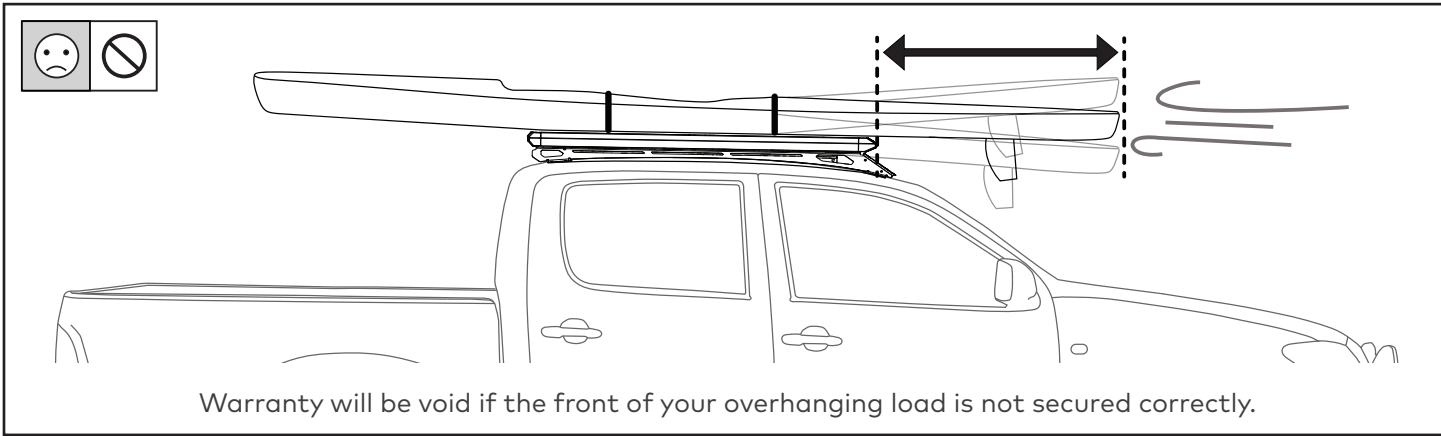




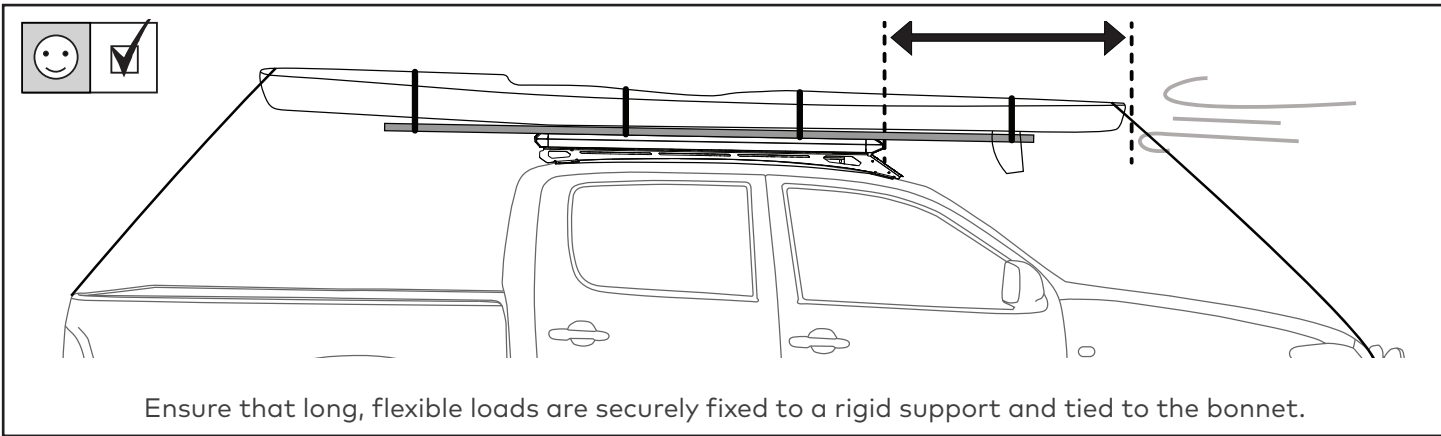
Ensure camera sensors on the windscreen remain unobstructed.



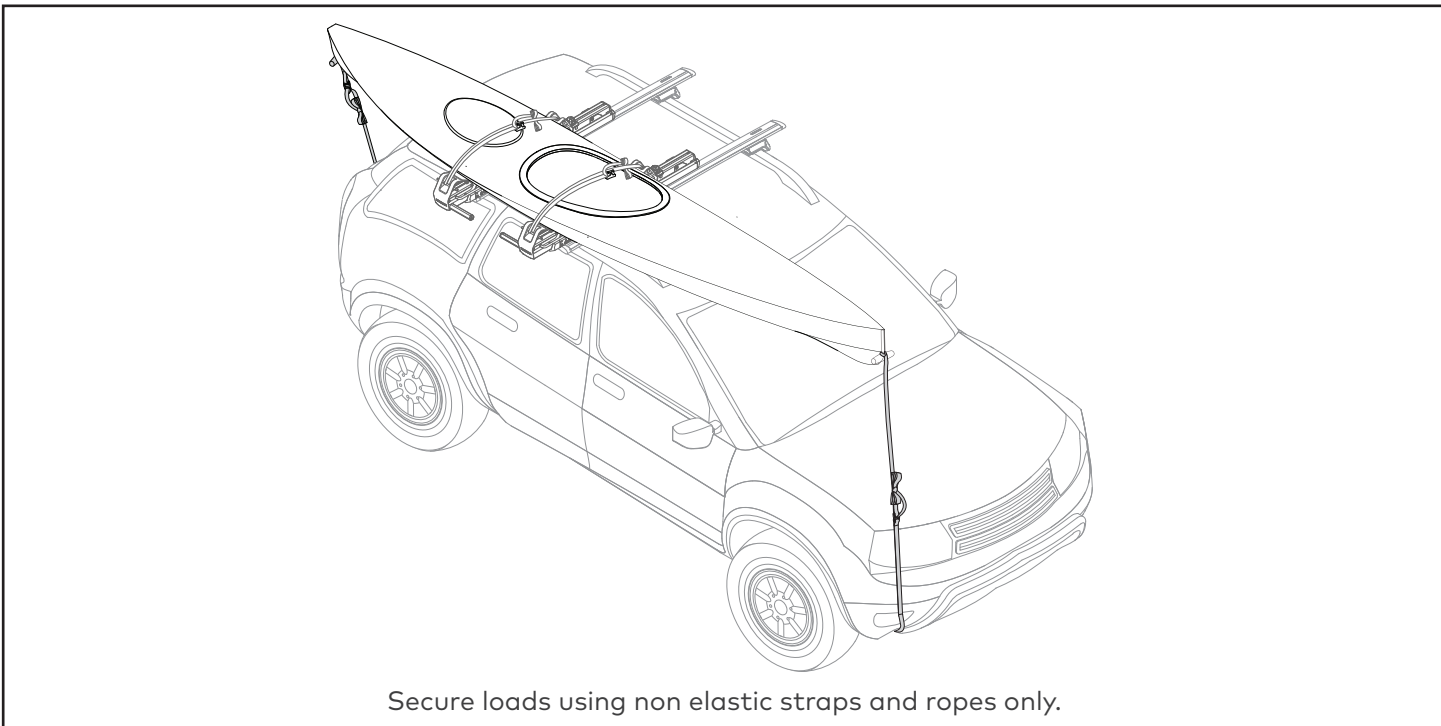
Always secure loads with bow & stern tie downs to vehicle recovery points or using a Yakima Hood Anchor.



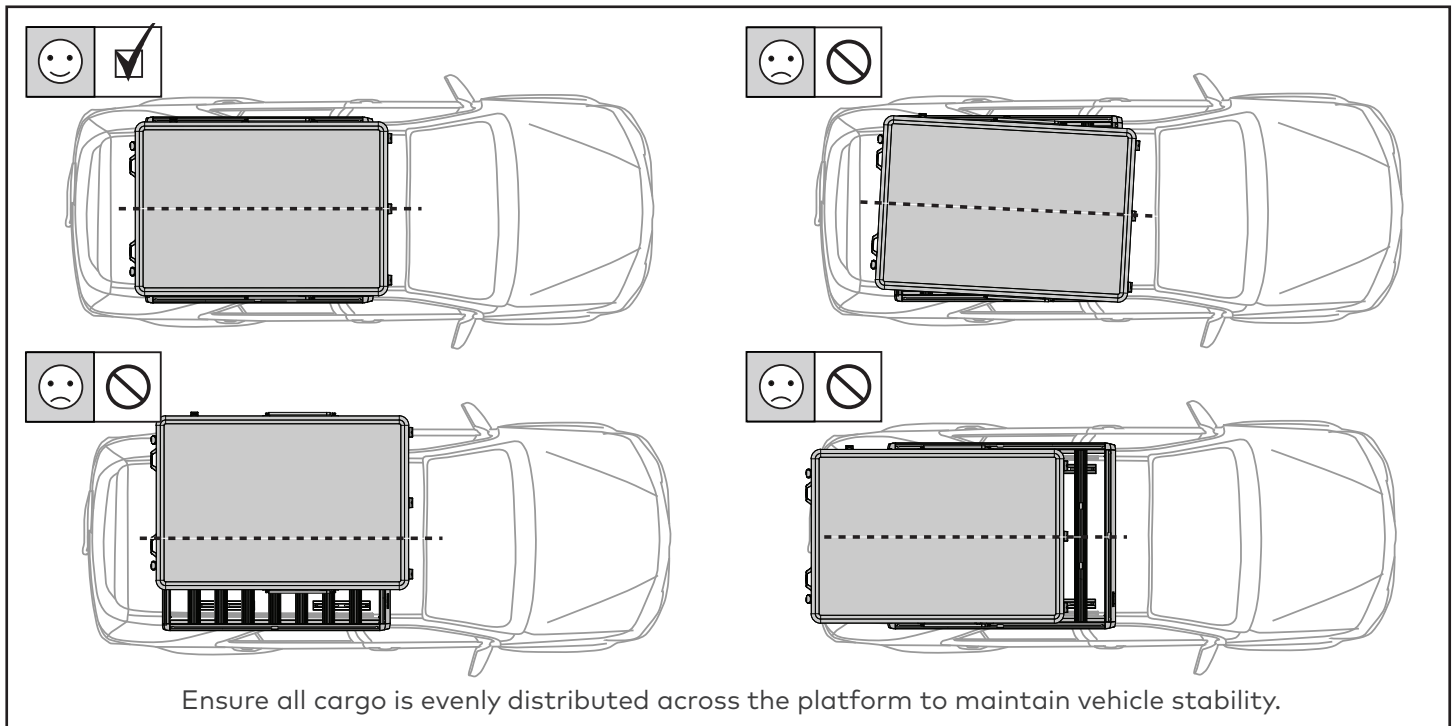
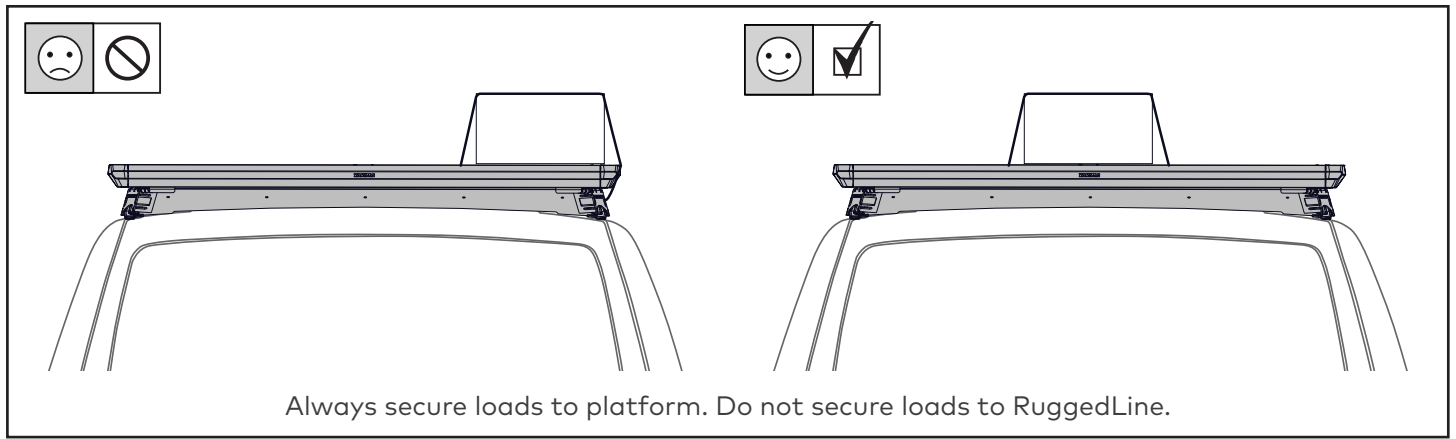
Warranty will be void if the front of your overhanging load is not secured correctly.



Ensure that long, flexible loads are securely fixed to a rigid support and tied to the bonnet.



Secure loads using non elastic straps and ropes only.



## MAINTENANCE AND SAFETY CHECKS

Check attachment hardware and load for tight fit and function:

- Before the start of any journey.
- After driving a short distance (50 km or 30 min) following rack or load install.
- At regular intervals on longer journeys.
- After re-fitment.
- Every two hours on bad terrain.
- After interruption of a journey during which the vehicle was left unsupervised (check for damage due to outside intervention).

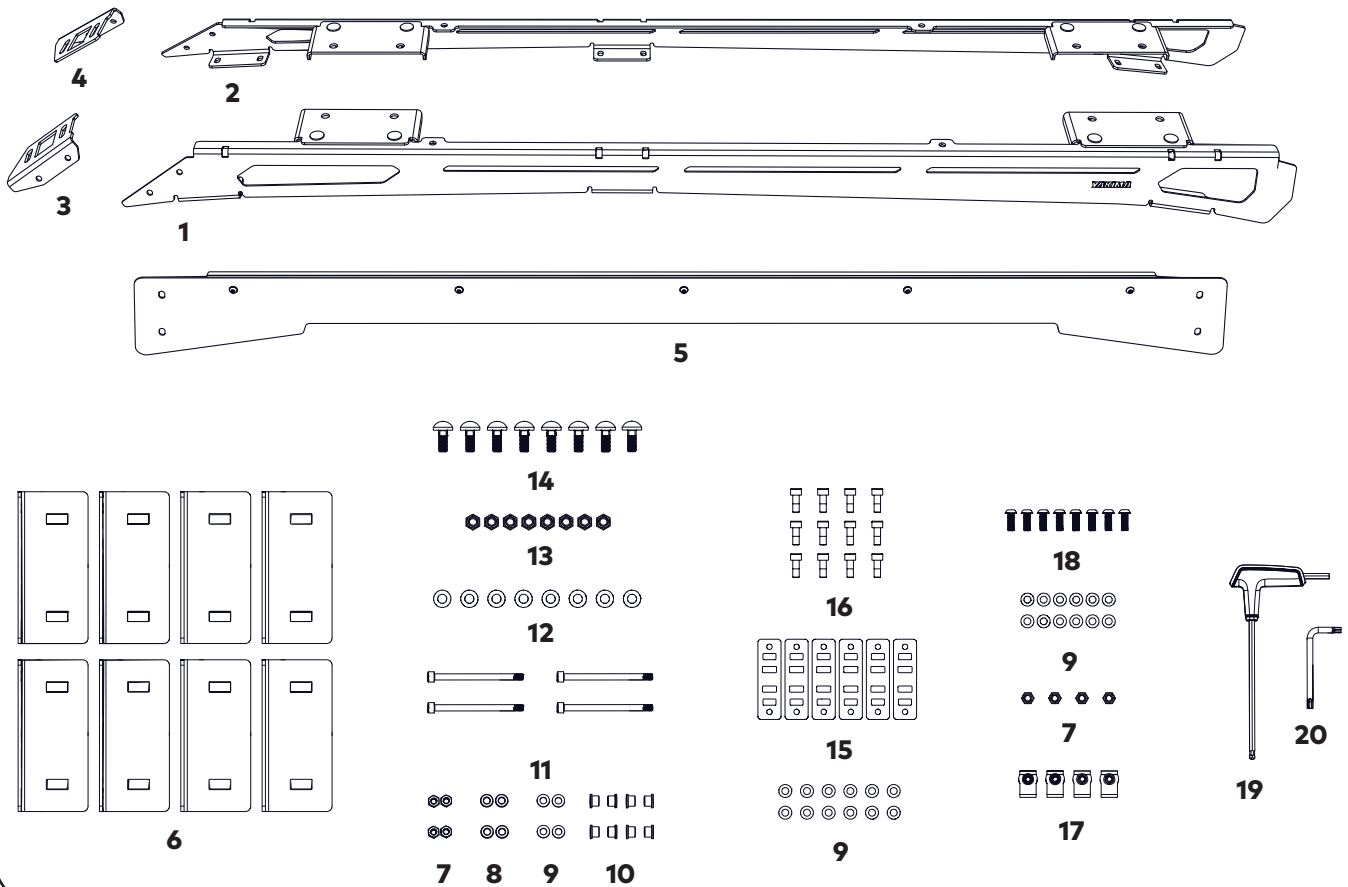
**Always ensure your vehicle's total GVM (Gross Vehicle Mass) and axle load limits stay within the manufacturer's specifications (refer to your owner's manual).**

**TOOLS REQUIRED:**

- 10 mm Socket Wrench
- 13 mm Spanner

**KIT CONTENTS**

ITEM	COMPONENT	QTY	ITEM	COMPONENT	QTY
1.	Tasman 25+ RuggedLine LH	x1	11.	M6 x 86 mm Screw	x4
2.	Tasman 25+ RuggedLine RH	x1	12.	M8 Washer	x8
3.	Fairing Bracket LH	x1	13.	M8 Hex Nut	x8
4.	Fairing Bracket RH	x1	14.	M8 x 20 mm Dome Bolt	x8
5.	Fairing	x1	15.	Track Nut Plate	x6
6.	Pivot Mount Bracket	x8	16.	M6 x 16 mm Socket Head Screw	x12
7.	M6 Hex Nut	x8	17.	M6 Fairing Clip	x4
8.	M6 Spacer	x4	18.	M6 x 16 mm Button Head Screw	x8
9.	M6 Washer	x28	19.	5 mm T-Handle Ball End Allen Key	x1
10.	6 mm Shouldered Bush	x8	20.	Torx T30 Driver	x1



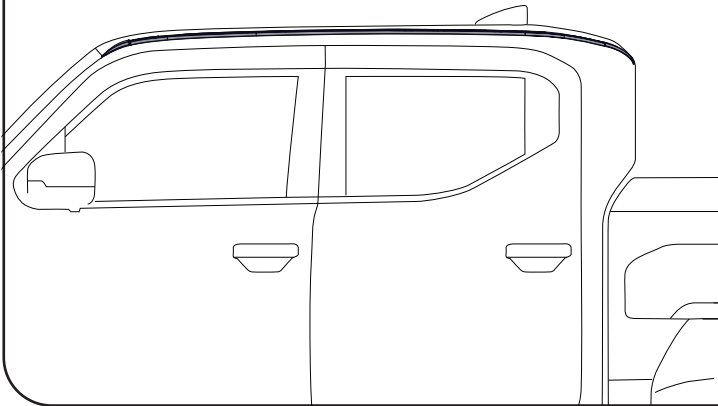
## COMPLETE TRACK INSTALLATION

**1**

### TRACK INSTALLATION IS COMPLETE.

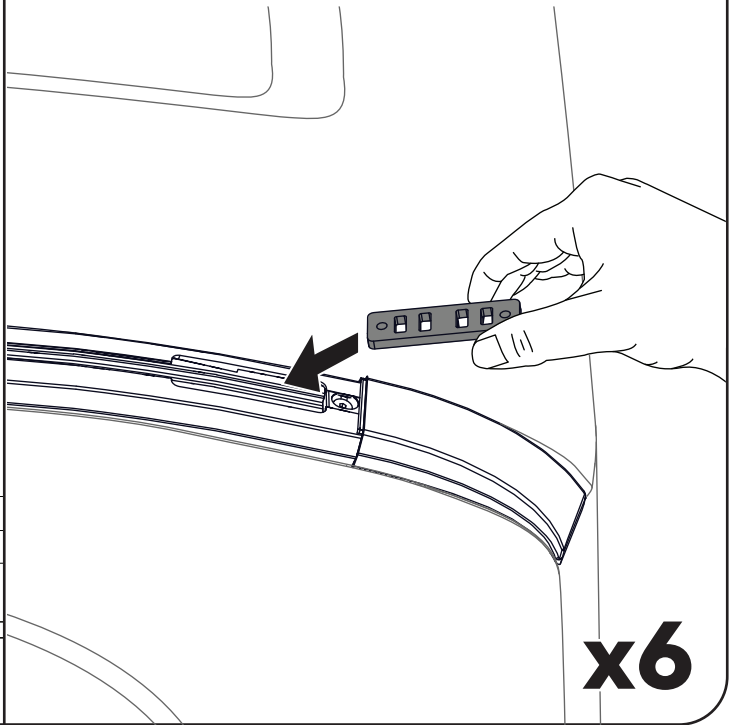
Check both Kia Tasman tracks (8001816) are secured to the vehicle as per the installation instructions (21000344).

For assistance contact your local Yakima dealer.



**2**

### DROP NUT PLATES INTO REAR TRACK END INSERTS.



**x6**

**!**

**NOW PROCEED TO PAGE 7 - MOUNTING RUGGEDLINE HD.**

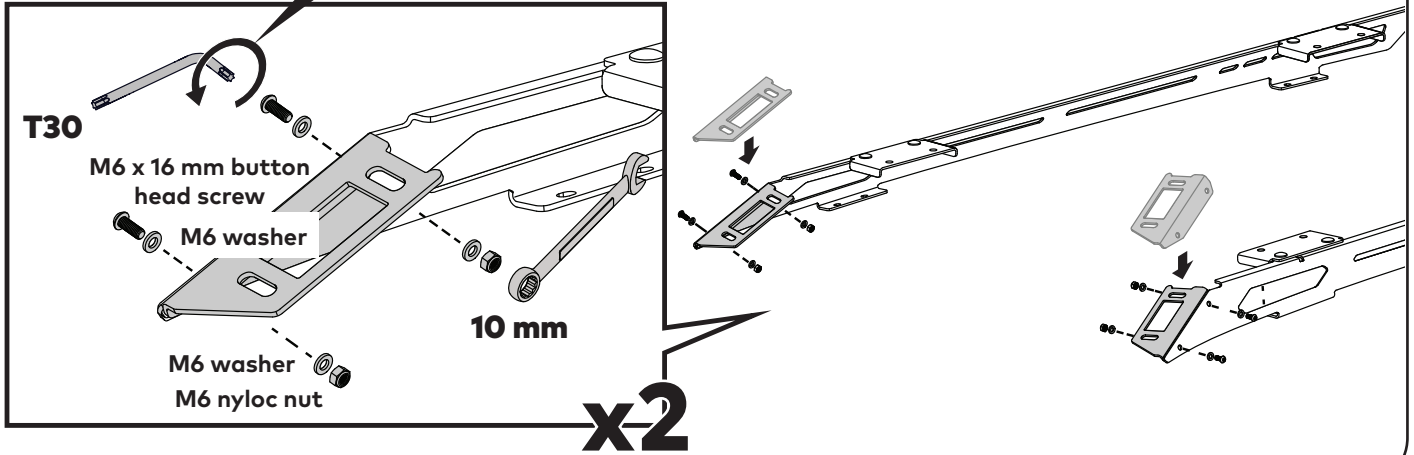
# MOUNTING RUGGEDLINE HD

## 1 INSTALL FAIRING BRACKETS.

**6 Nm**  
**4.4 lb-ft**



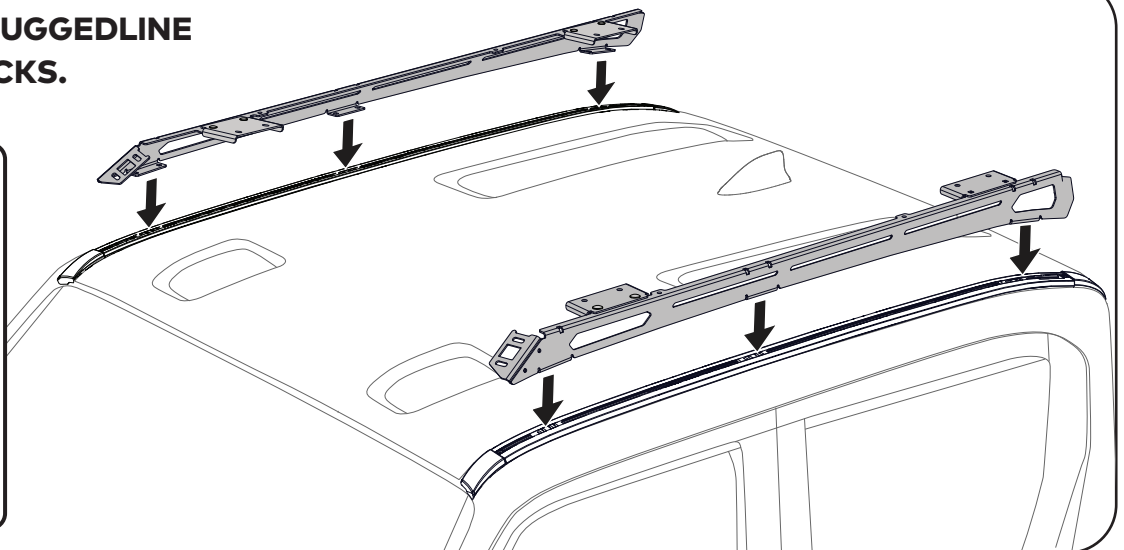
**NOTE:** Vehicles equipped with a glass sunroof may not be suitable for fairing installation. The fairing will reduce wind noise; however, opening the sunroof with the fairing installed may result in vehicle damage.



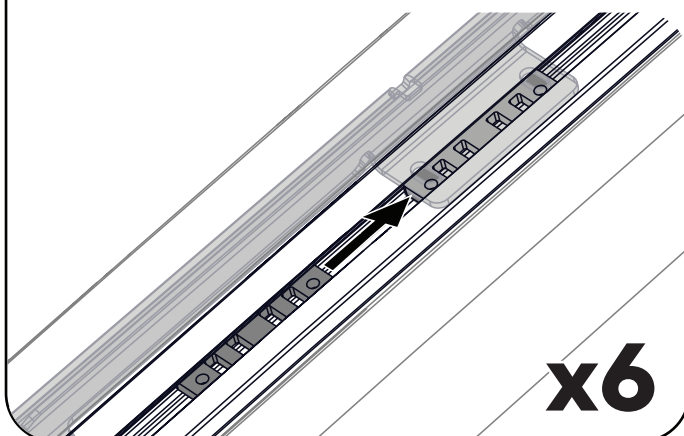
## 2 POSITION RUGGEDLINE HD ON TRACKS.



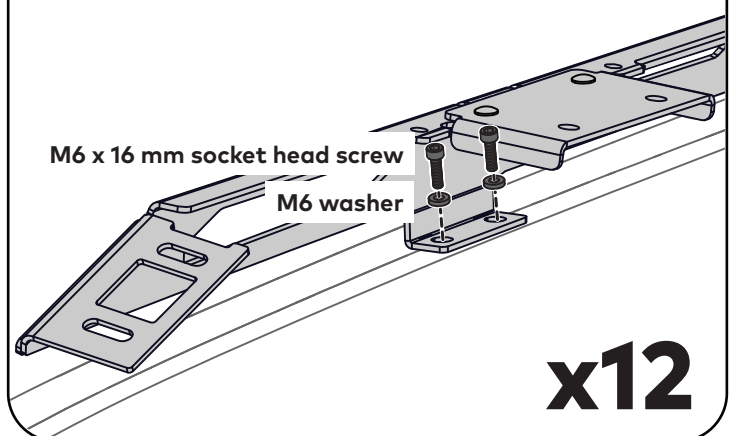
**NOTE:** Check the RuggedLine HD hardware to be sure the jog plates are fully tightened. If necessary, tighten the jog plate hardware before placing RuggedLine HD.



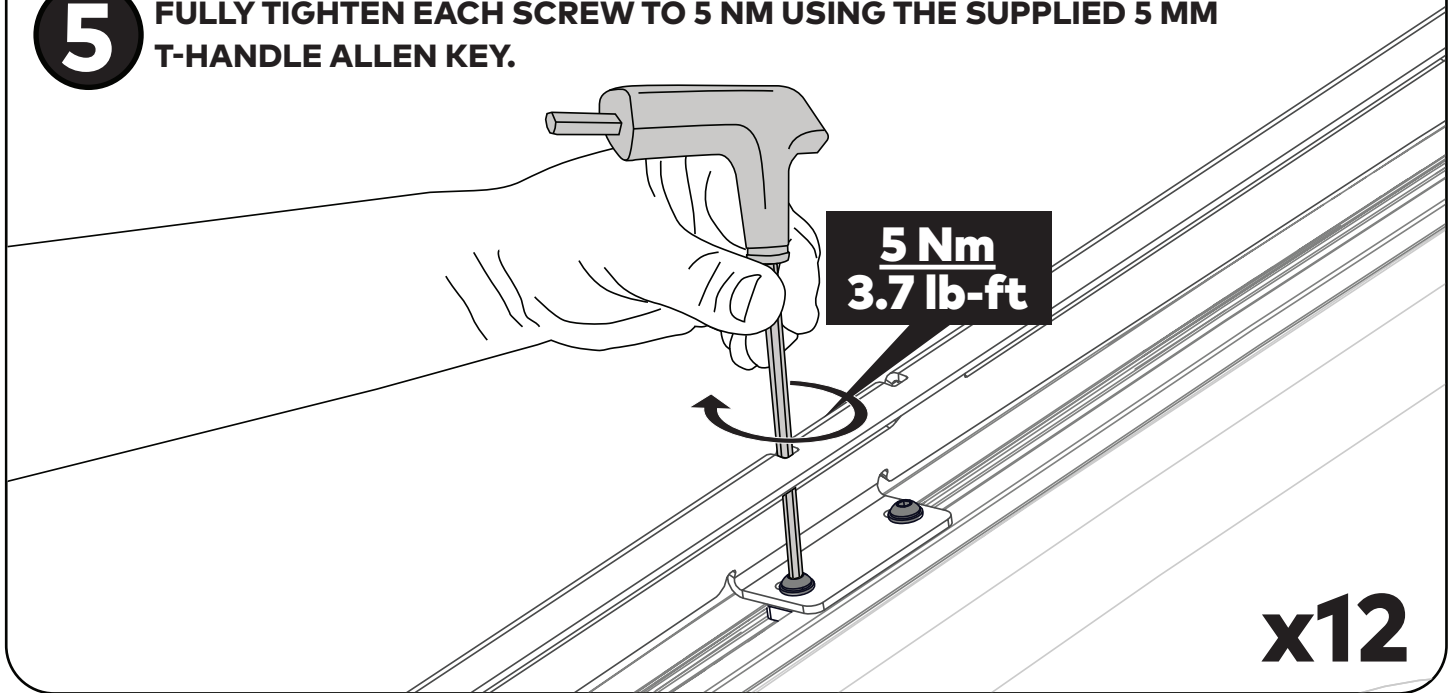
## 3 SLIDE NUT PLATES IN TRACK TO ALIGN WITH RUGGEDLINE HD BOTTOM MOUNTING HOLES.



## 4 MANUALLY START SIX M6 X 16 MM SOCKET HEAD SCREWS WITH M6 WASHERS ON EACH SIDE.

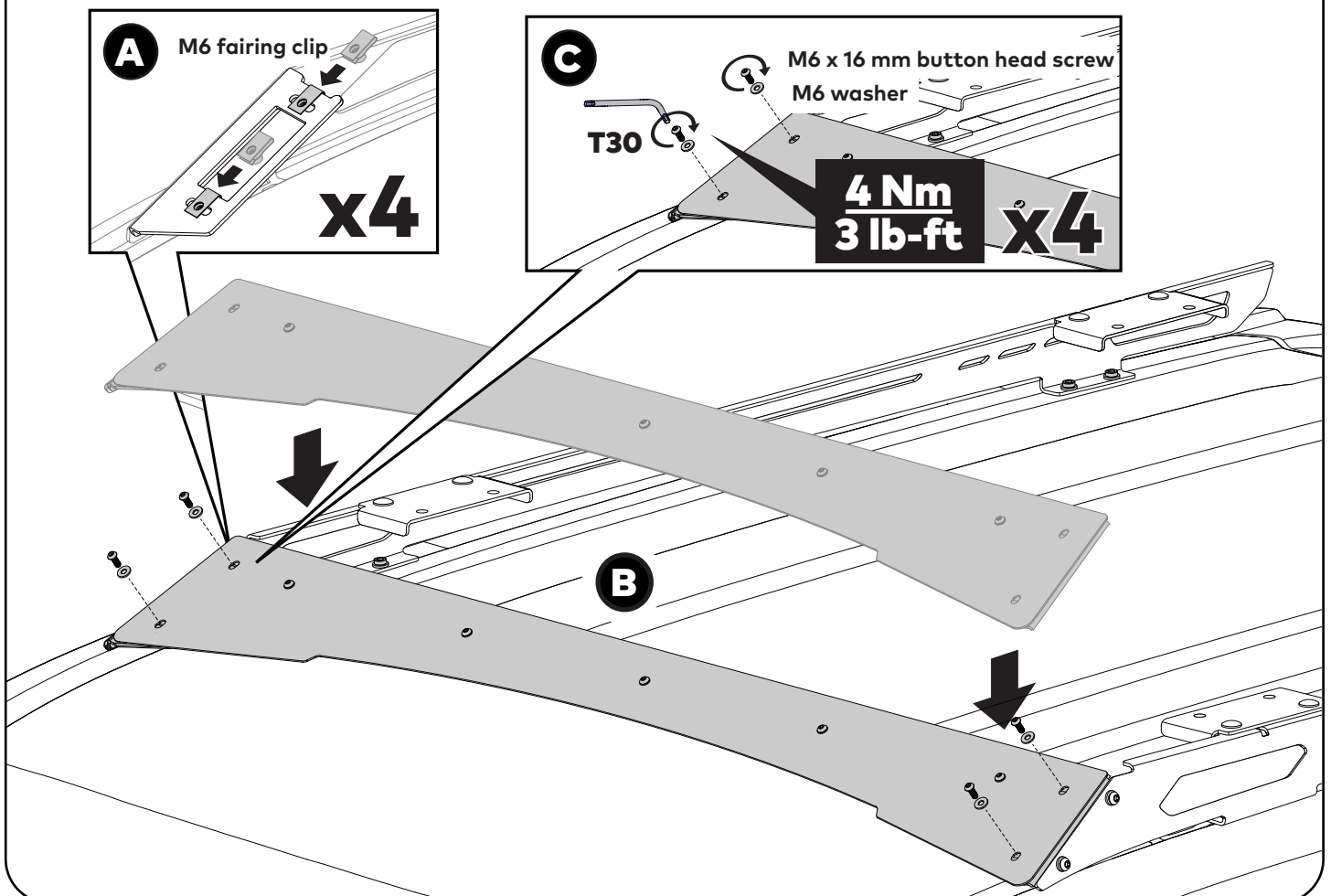


**5** FULLY TIGHTEN EACH SCREW TO 5 NM USING THE SUPPLIED 5 MM T-HANDLE ALLEN KEY.



**6** INSTALL THE FAIRING WITH ASSISTANCE FROM ANOTHER PERSON. SECURE SCREWS TO 4 NM USING THE SUPPLIED T30 TORX DRIVER.

**!** **NOTE:** Vehicles equipped with a glass sunroof may not be suitable for fairing installation. The fairing will reduce wind noise; however, opening the sunroof with the fairing installed may result in vehicle damage. If you choose to not install the fairing, remove the fairing brackets from the RuggedLine HD.



**7**

**CHECK ALL RUGGEDLINE HD HARDWARE IS SECURE.**



**IF INSTALLING TRIM HD BARS, PROCEED TO PAGE 11.  
IF INSTALLING LOCKNLOAD PLATFORM,  
CONTINUE TO STEP 8.**

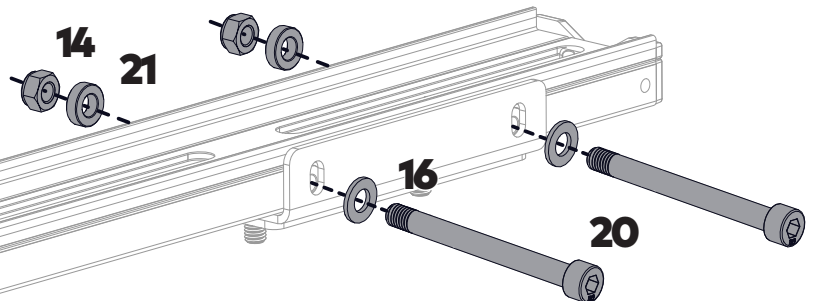
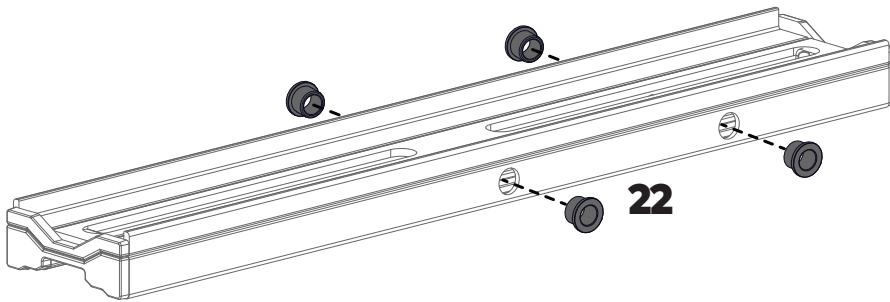
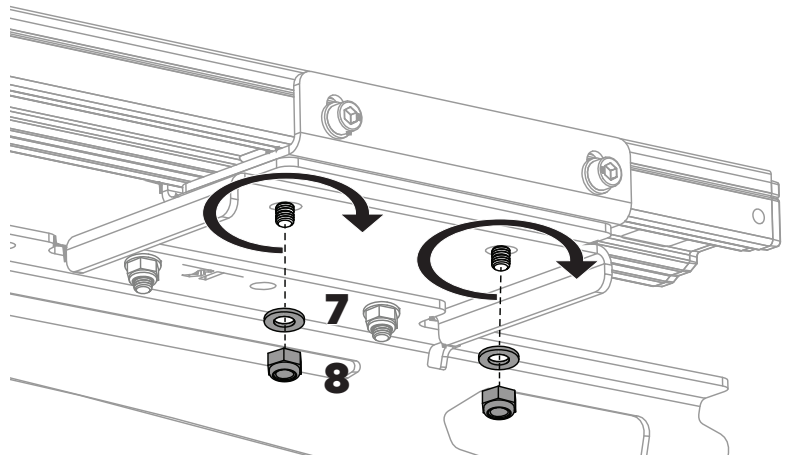
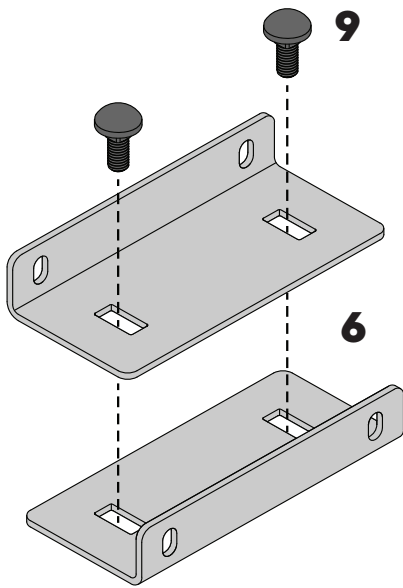
# 8

## PIVOT MOUNT HARDWARE AND FASTENERS.

After installation of the RuggedLine HD, you will have the left over hardware and fasteners detailed in the table to the right.

Please retain these, as they will be required for mounting your LockNLoad Platform to your newly installed RuggedLine HD.

ITEM	COMPONENT	QTY
6.	Pivot Mount Bracket	x12
7.	M8 Washer	x12
8.	M8 Hex Nut	x12
9.	M8 x 20 mm Dome Bolt	x12
14.	M6 Nyloc Nut	x6
16.	M6 Washer	x6
20.	M6 x 86 mm Screw	x6
21.	M6 Spacer	x6
22.	6 mm Shouldered Bush	x12

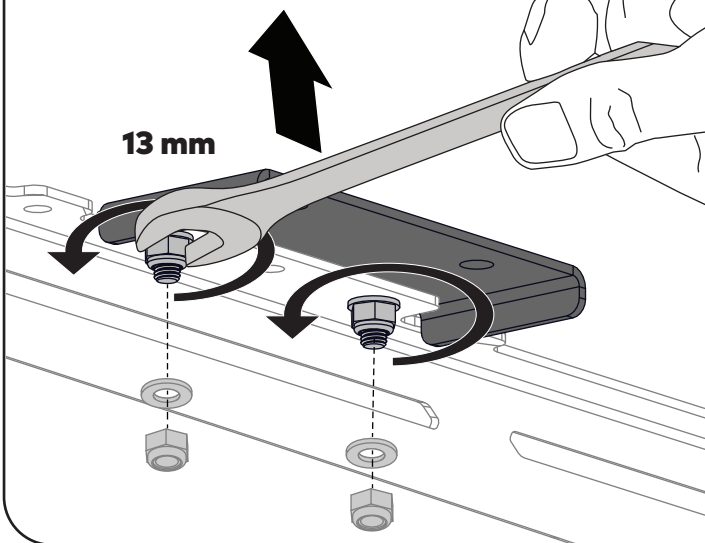


**NOW SWITCH TO YOUR LOCKNLOAD PLATFORM INSTRUCTIONS AND CONTINUE FROM THE 'RUGGEDLINE HD MOUNTING INSTRUCTIONS' PAGE.**

## MOUNTING TRIMHD BARS

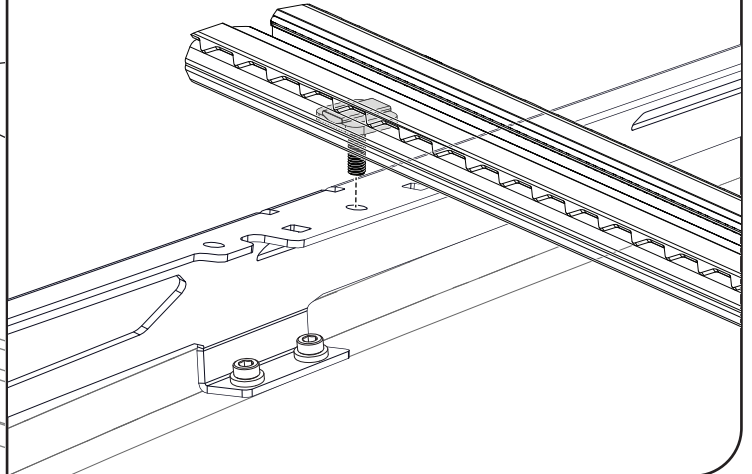
**1**

**REMOVE ALL JOG PLATE FASTENERS AND JOG PLATES AND STORE SAFELY.**



**!**

**NOTE: Maximum of 2 TrimHD Bars.**  
TrimHD bars to be installed via circular holes only.



**!**

**NOW COMPLETE TRIMHD BAR INSTALLATION FOLLOWING YOUR LOCKNLOAD RUGGEDLINE TRIMHD ADAPTER KIT INSTRUCTIONS.**



[www.yakima.com.au](http://www.yakima.com.au)  
[www.yakima.co.nz](http://www.yakima.co.nz)  
[www.yakima.com](http://www.yakima.com)  
[www.yakima.eu](http://www.yakima.eu)

**YAKIMA AUSTRALIA PTY LTD**

17 Hinkler Court  
Brendale, QLD 4500  
Australia  
1800 143 548

**YAKIMA PRODUCTS, INC.**

4101 Kruse Way  
Lake Oswego, OR  
97035-2541  
USA  
888 925 4621  
[yakima.com/support](http://yakima.com/support)