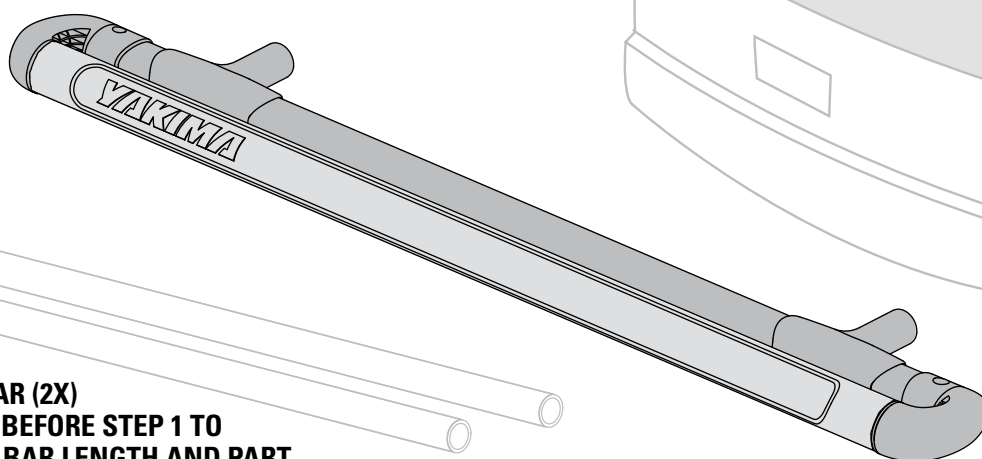
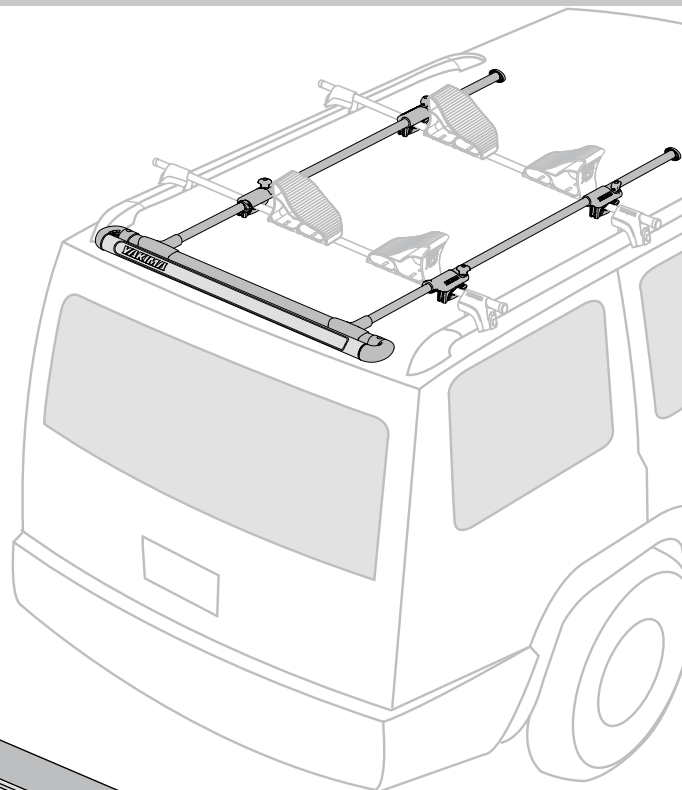


FOR FACTORY RACKS: Check fitlist notes, or Yakima.com for your vehicle's crossbar spread.

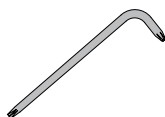


SUPPORT BAR (2X)
(SEE CHART BEFORE STEP 1 TO DETERMINE BAR LENGTH AND PART NUMBER. SOLD SEPARATELY.)

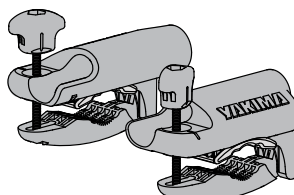
ROLLER (1X)



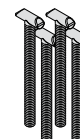
END CAP (2X)



STAR KEY HEX HEAD WRENCH (1X)



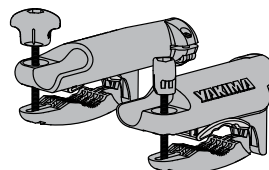
FRONT CLAMP (2X)



ADDITIONAL EXTRA LENGTH T-BOLT (4X)



STOP COLLAR (1X)



REAR CLAMP (2X)



IMPORTANT WARNING

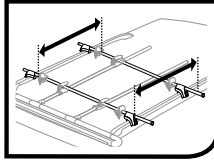
IT IS CRITICAL THAT ALL YAKIMA RACKS AND ACCESSORIES BE PROPERLY AND SECURELY ATTACHED TO YOUR VEHICLE. IMPROPER ATTACHMENT COULD RESULT IN AN AUTOMOBILE ACCIDENT, AND COULD CAUSE SERIOUS BODILY INJURY OR DEATH TO YOU OR TO OTHERS. YOU ARE RESPONSIBLE FOR SECURING THE RACKS AND ACCESSORIES TO YOUR CAR, CHECKING THE ATTACHMENTS PRIOR TO USE, AND PERIODICALLY INSPECTING THE PRODUCTS FOR ADJUSTMENT, WEAR, AND DAMAGE. THEREFORE, YOU MUST READ AND UNDERSTAND ALL OF THE INSTRUCTIONS AND CAUTIONS SUPPLIED WITH YOUR YAKIMA PRODUCT PRIOR TO INSTALLATION OR USE. IF YOU DO NOT UNDERSTAND ALL OF THE INSTRUCTIONS AND CAUTIONS, OR IF YOU HAVE NO MECHANICAL EXPERIENCE AND ARE NOT THOROUGHLY FAMILIAR WITH THE INSTALLATION PROCEDURES, YOU SHOULD HAVE THE PRODUCT INSTALLED BY A PROFESSIONAL INSTALLER.

Part #1033412 Rev.D

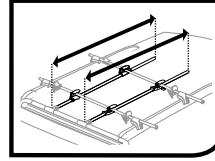
**YAKIMA RECOMMENDS 66" SUPPORT BARS FOR MOST VEHICLES OR,
USE THIS HELPFUL CHART TO FINE TUNE TO YOUR VEHICLE AND BOAT WEIGHT**



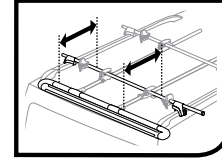
**DON'T FORGET
YOUR SUPPORT
BARS!**
(SOLD SEPARATELY)



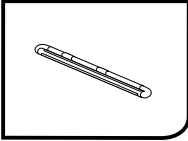
CROSSBAR SPREAD



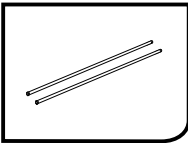
SUPPORT BAR LENGTH



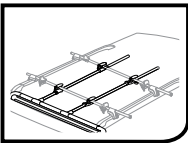
ROLLER EXTENSION



+



=



BOAT WEIGHT

UP TO 35 lb
(16kg)

35 TO 50 lb
(16kg - 23kg)

50 TO 80 lb
(23kg - 36kg)

CROSSBAR SPREAD & SUPPORT BAR LENGTH

24" (61cm) TO 28" (71cm) CROSSBAR SPREAD	28" (71cm) TO 40" (102cm) CROSSBAR SPREAD
USE 66" (168cm) SUPPORT BAR #00410	USE 78" (198cm) SUPPORT BAR #00411

24" (61cm) TO 32" (81cm) CROSSBAR SPREAD	32" (81cm) TO 44" (112cm) CROSSBAR SPREAD
USE 66" (168cm) SUPPORT BAR #00410	USE 78" (198cm) SUPPORT BAR #00411

24" (61cm) TO 30" (76cm) CROSSBAR SPREAD	30" (76cm) TO 38" (97cm) CROSSBAR SPREAD	38" (76cm) TO 50" (127cm) CROSSBAR SPREAD
USE 58" (147cm) SUPPORT BAR #00409	USE 66" (168cm) SUPPORT BAR #00410	USE 78" (198cm) SUPPORT BAR #00411

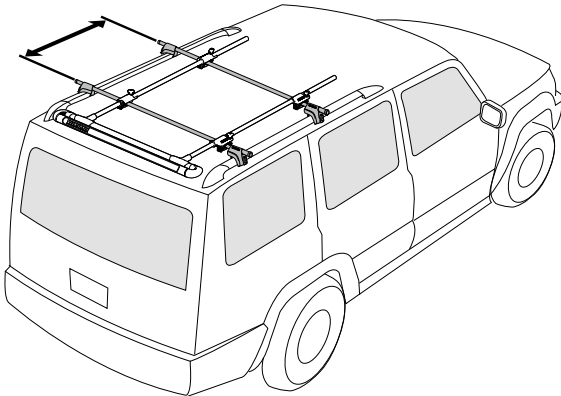
MAXIMUM ROLLER EXTENSION

**34" (86cm) MAXIMUM
ROLLER EXTENSION**

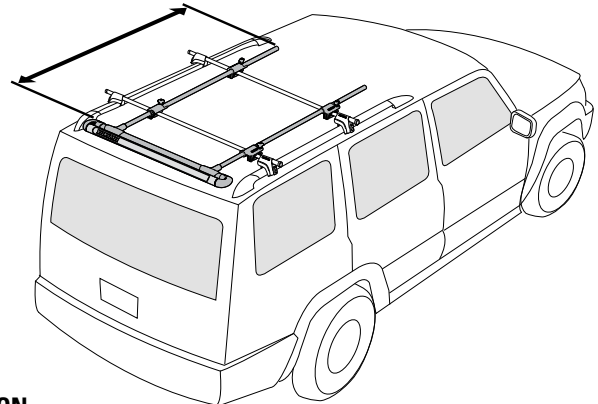
**30" (76cm) MAXIMUM
ROLLER EXTENSION**

**24" (61cm) MAXIMUM
ROLLER EXTENSION**

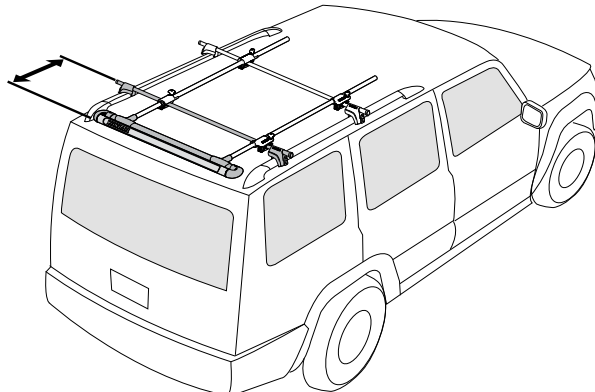
CROSSBAR SPREAD



SUPPORT BAR LENGTH



ROLLER EXTENSION

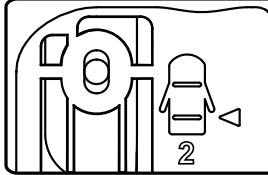




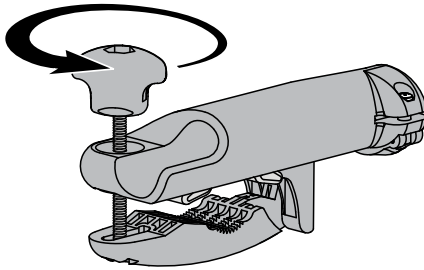
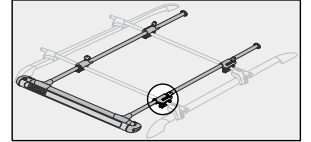
ATTENTION! FOR CANOE LOADING GO TO PAGE 12.

1 PREPARE REAR PASSENGER SIDE CLAMP

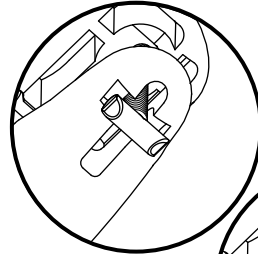
Some thicker factory bars may require the use of the longer t-bolts included with this product.



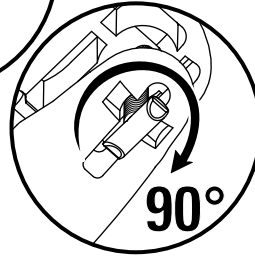
Tip: Identify clamp by reading Icon on underside of clamp. Here the rear passenger side icon is shown.



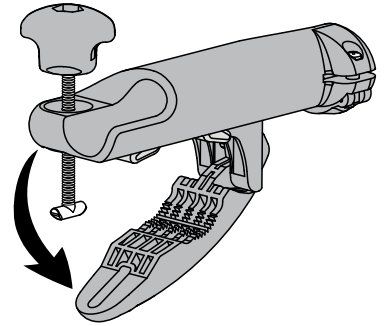
Back off adjustment knob all the way (but do not remove it).



Rotate t-bolt.



90°



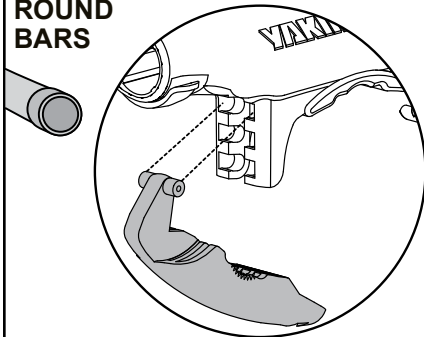
Open the clamp.

2 ADJUST BAIL POSITION



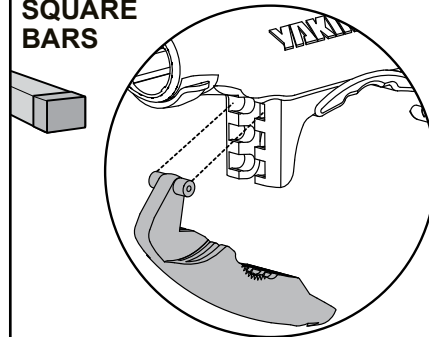
If necessary, remove bail from current notch in clamp, and snap it into correct notch in clamp.

ROUND BARS



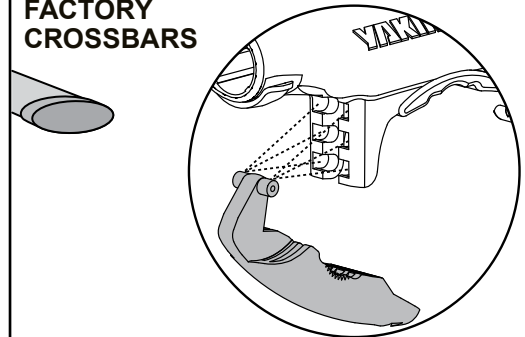
TOP NOTCH

SQUARE BARS



UPPER NOTCH

FACTORY CROSSBARS

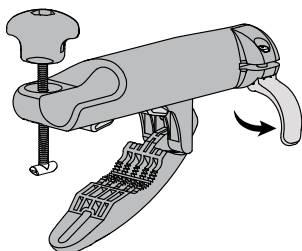


CHOOSE BEST NOTCH FOR MOST SECURE GRIP

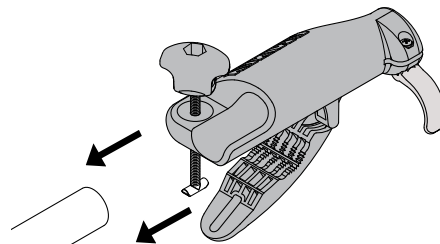


Be sure to check ShowBoat carton, or Yakima.com for approved fits. For any factory bar fit notes specific to your vehicle: See Yakima fit list, Yakima.com, or call customer service at (888) 925-4621.

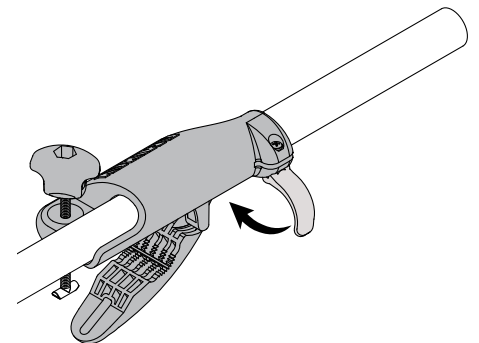
3 PLACE REAR CLAMP ON SUPPORT BAR



Open the red lever.

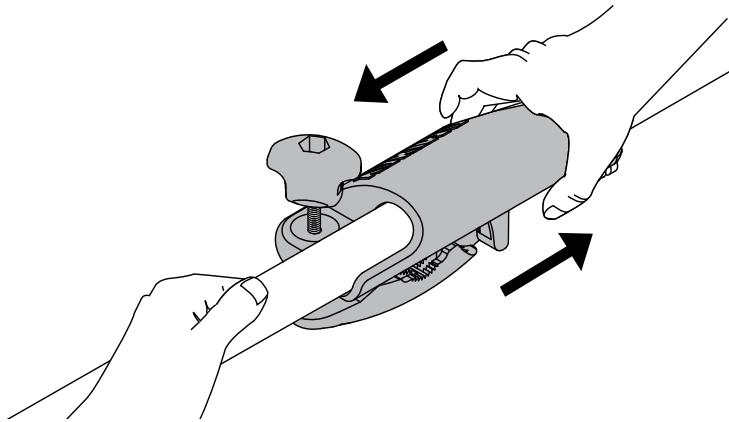


Slide clamp onto the bar.



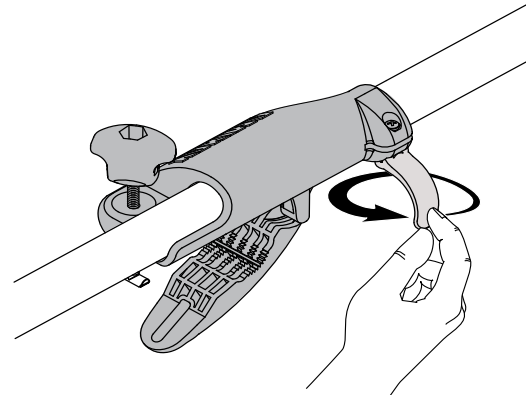
Close red lever.

4 CHECK TO SEE IF CLAMP IS ADJUSTED PROPERLY



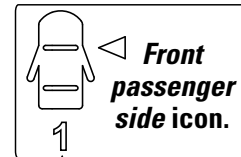
The clamp should not move with red lever in closed position, but should slide freely with red lever open.

To tighten clamp, open the red lever, and rotate clockwise a full turn as shown. Then close red lever, and check to be sure clamp does not slide on bar. Repeat as necessary.

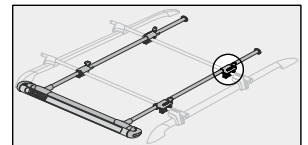


5 PREPARE FRONT PASSENGER SIDE CLAMP

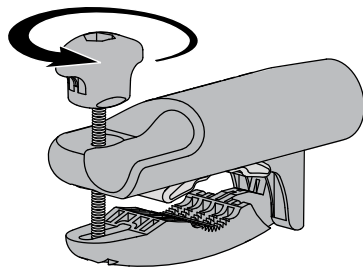
Some thicker factory bars may require the use of the longer t-bolts included with this product.



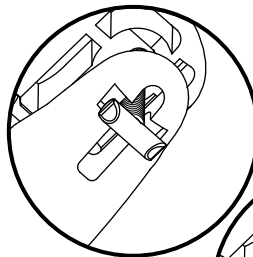
Front passenger side icon.



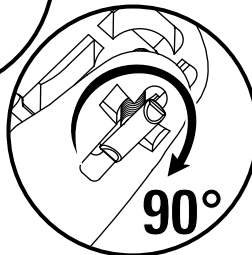
(Disregard number for kayak installation.)



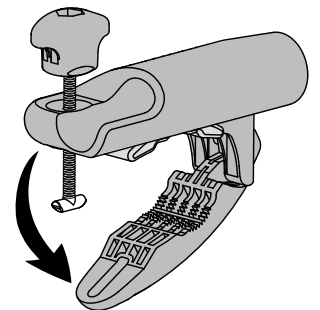
Back off adjustment knob all the way (but do not remove it).



Rotate t-bolt.



90°



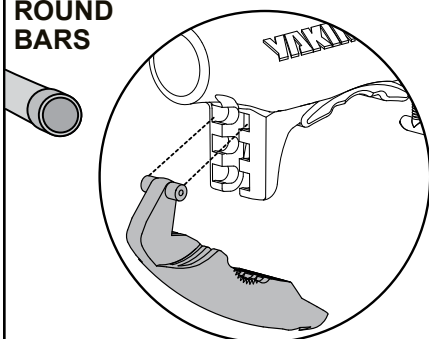
Open the clamp.

6 ADJUST BAIL POSITION



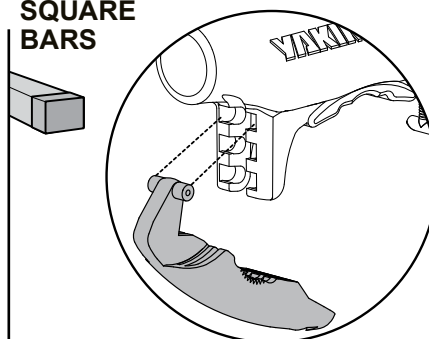
If necessary, remove bail from current notch in clamp, and snap it into correct notch in clamp.

ROUND BARS



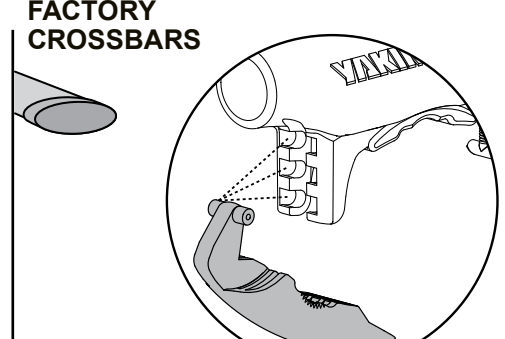
TOP NOTCH

SQUARE BARS



UPPER NOTCH

FACTORY CROSSBARS

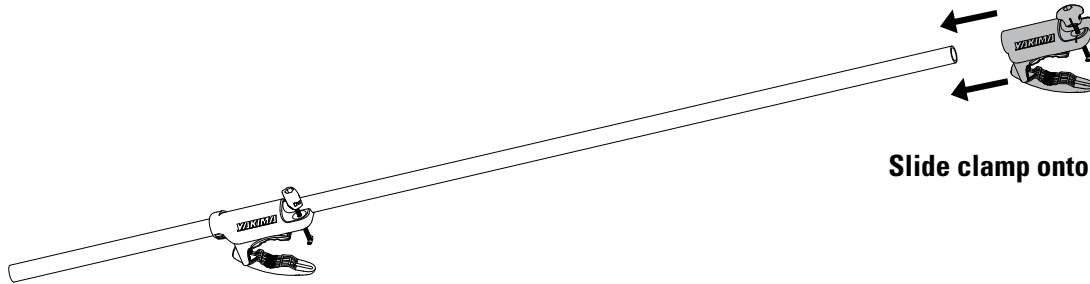
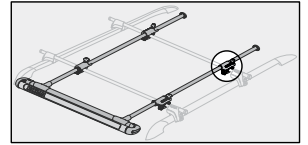


CHOOSE BEST NOTCH FOR MOST SECURE GRIP



* Be sure to check ShowBoat carton, or Yakima.com for approved fits. For any factory bar fit notes specific to your vehicle: See Yakima fit list, Yakima.com, or call customer service at (888) 925-4621.

7 PLACE FRONT CLAMP ON SUPPORT BAR



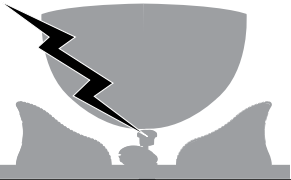
Slide clamp onto the bar.

8 PLACE SUPPORT BAR AND CLAMPS ONTO CROSSBARS
(FOR MULTIPLE BOATS GO TO STEP 21 FOR BAR PLACEMENT OPTIONS)

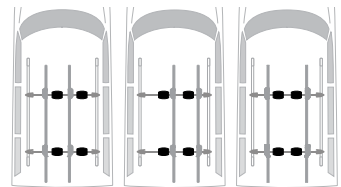
NOTE: A friend's help can make this step easier when working on a tall vehicle.



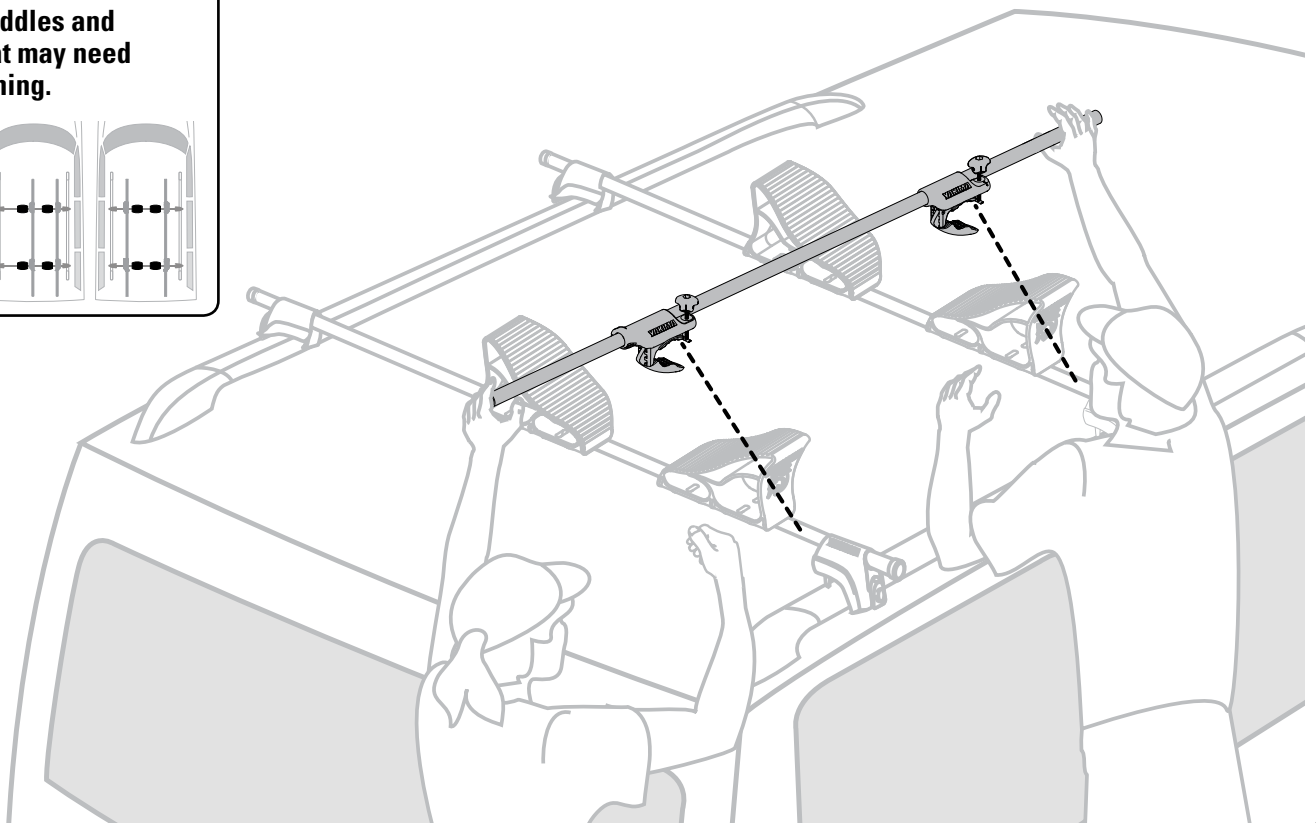
CAUTION: Potential for contact between hull and ShowBoat! Re-position if necessary.



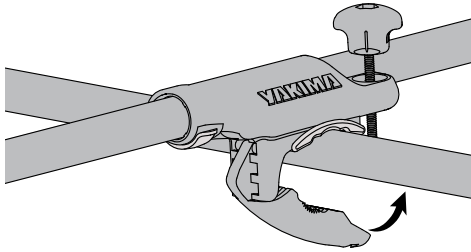
NOTE: Saddles and ShowBoat may need repositioning.



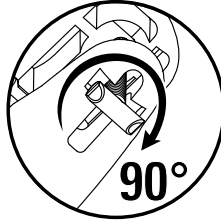
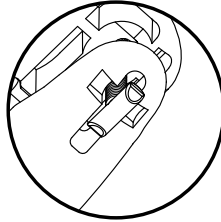
Set the support bar and clamp assembly onto your crossbars being careful not to damage your vehicle. Align the clamps to rest on the crossbars.



9 CLOSE AND TIGHTEN REAR CLAMP (DO NOT FULLY TIGHTEN)

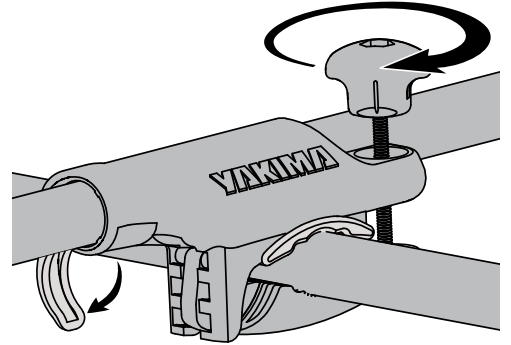


Close rear clamp around crossbar.



Pass the t-bolt through bail, and turn the t-bolt 90° to rest in slot.

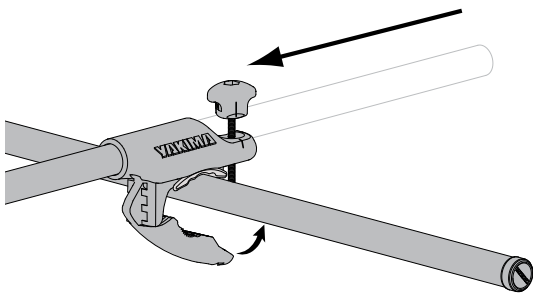
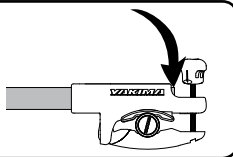
Tighten the adjustment knob just enough to hold clamp in place.



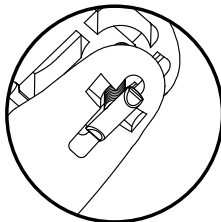
Open red lever before proceeding to next step.

10 CLOSE AND TIGHTEN FRONT CLAMP (DO NOT FULLY TIGHTEN)

Slide support bar back, past adjustment knob.

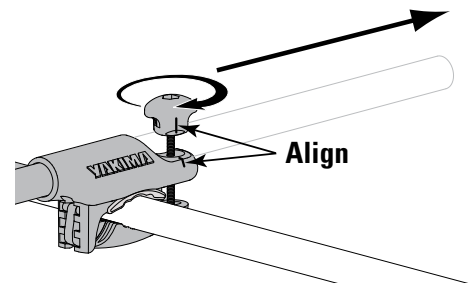


Close front clamp around crossbar.



Pass the t-bolt through bail, and turn the t-bolt 90° to rest in slot.

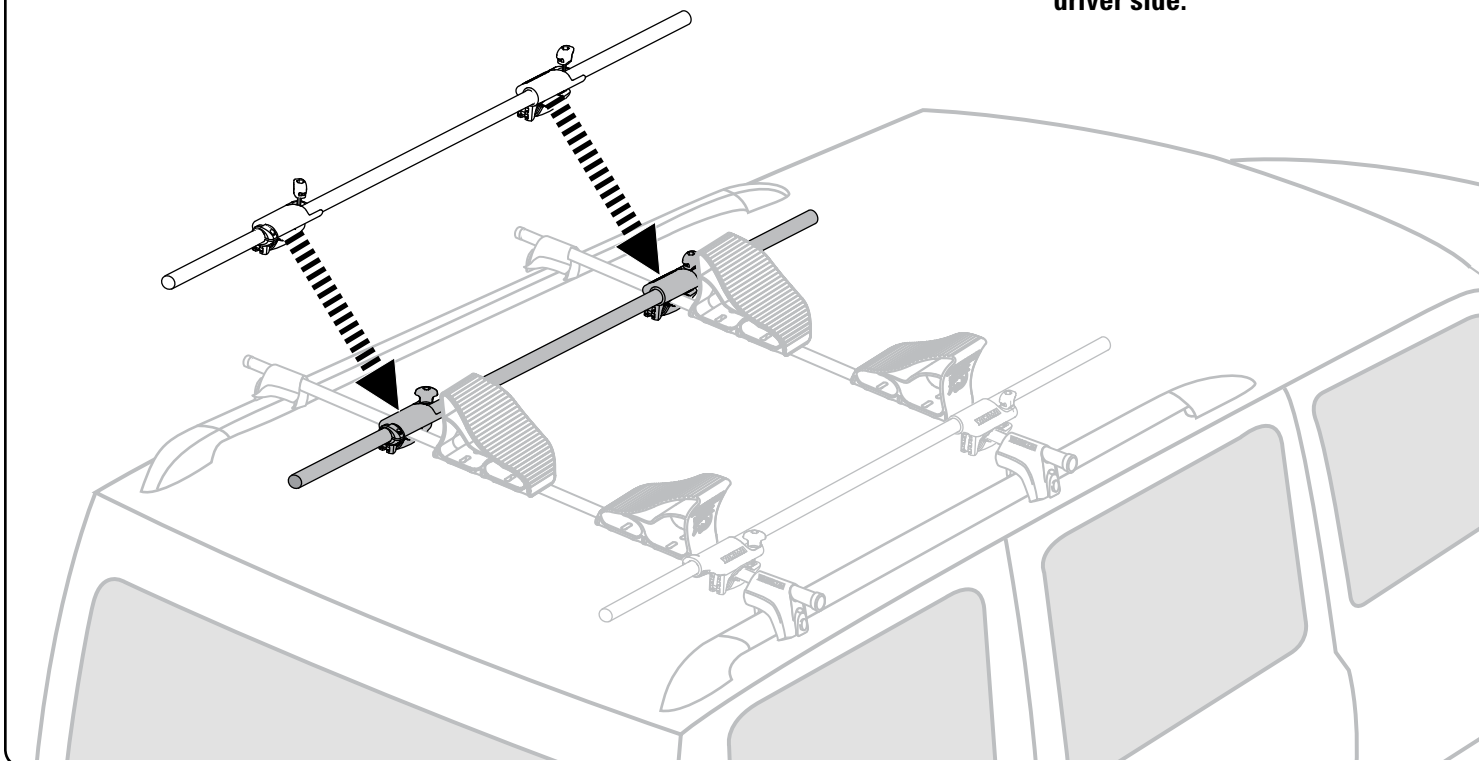
Tighten the adjustment knob. Align markings on clamp and adjustment knob.



Then slide support bar forward through clamp.

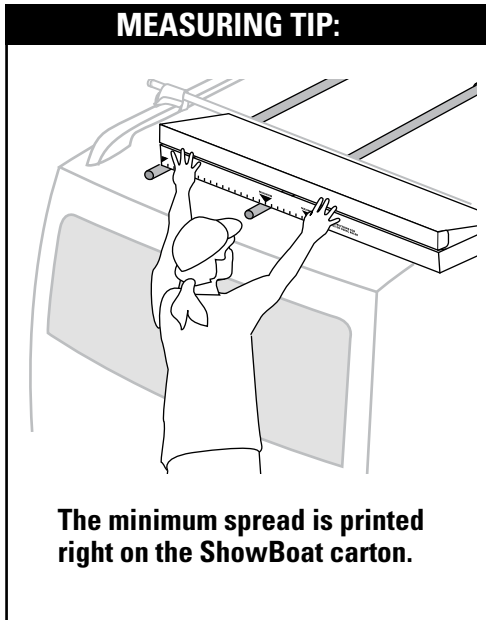
11 INSTALL DRIVER SIDE SUPPORT BAR AND CLAMPS

Repeat steps 1 through 10 for the driver side.

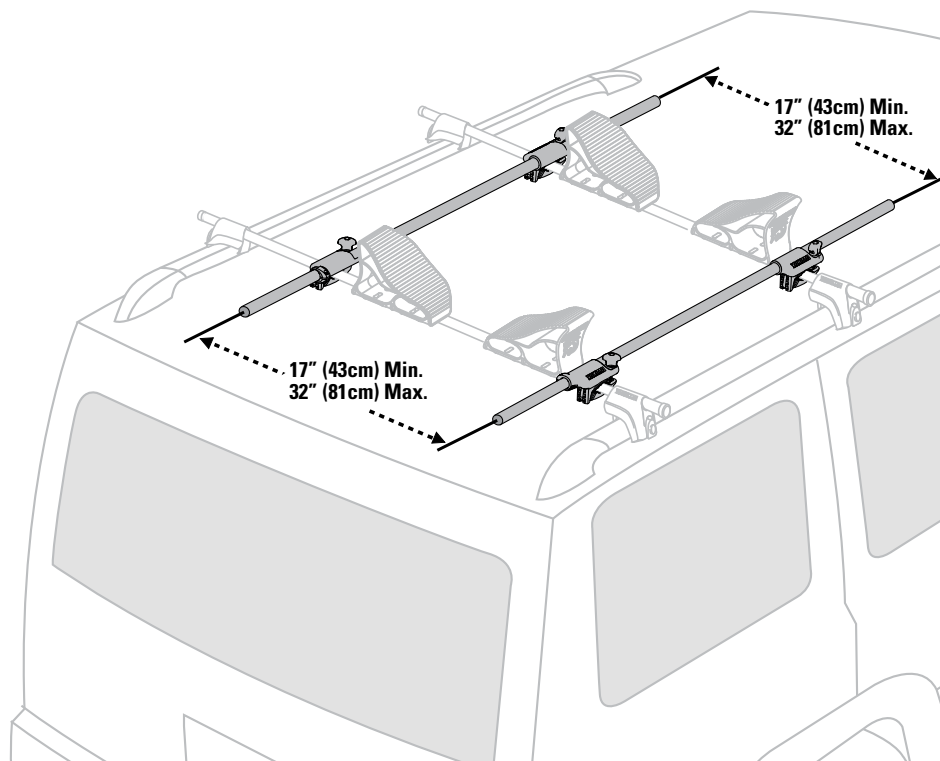


12 SET SUPPORT BAR SPREAD

MEASURING TIP:



The minimum spread is printed right on the ShowBoat carton.

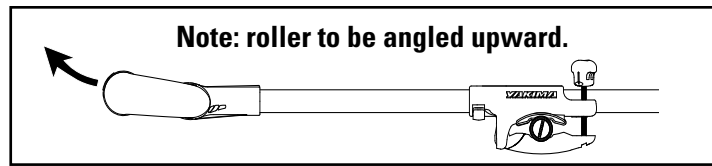


Ensure that distance between left and right support bars are the same at the front and rear of vehicle.

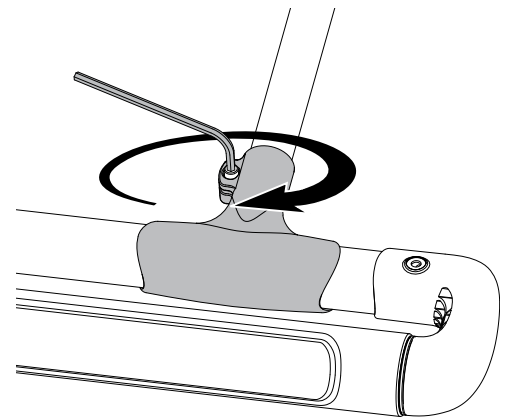
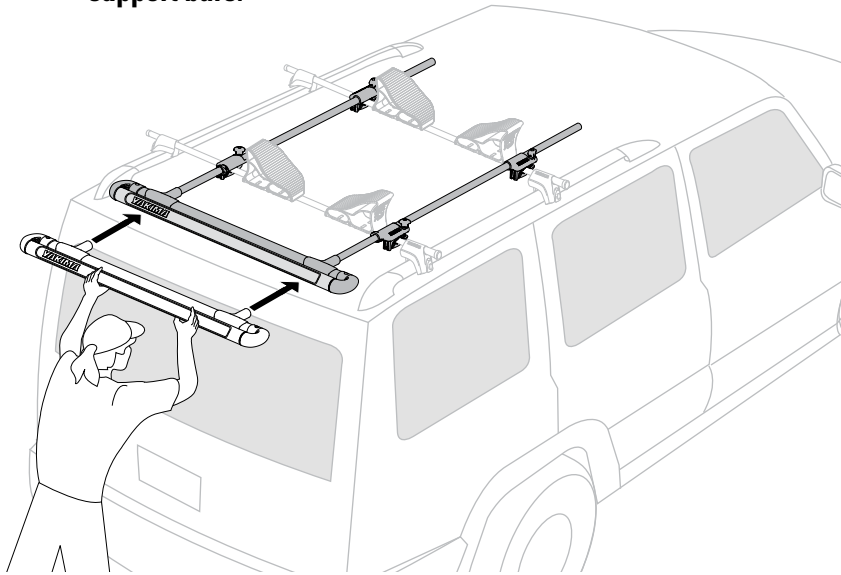


**17" (43cm) IS THE MINIMUM SPREAD.
32" (81cm) IS THE MAXIMUM SPREAD.**

13 INSTALL ROLLER



With red levers in closed position, slide roller onto support bars.



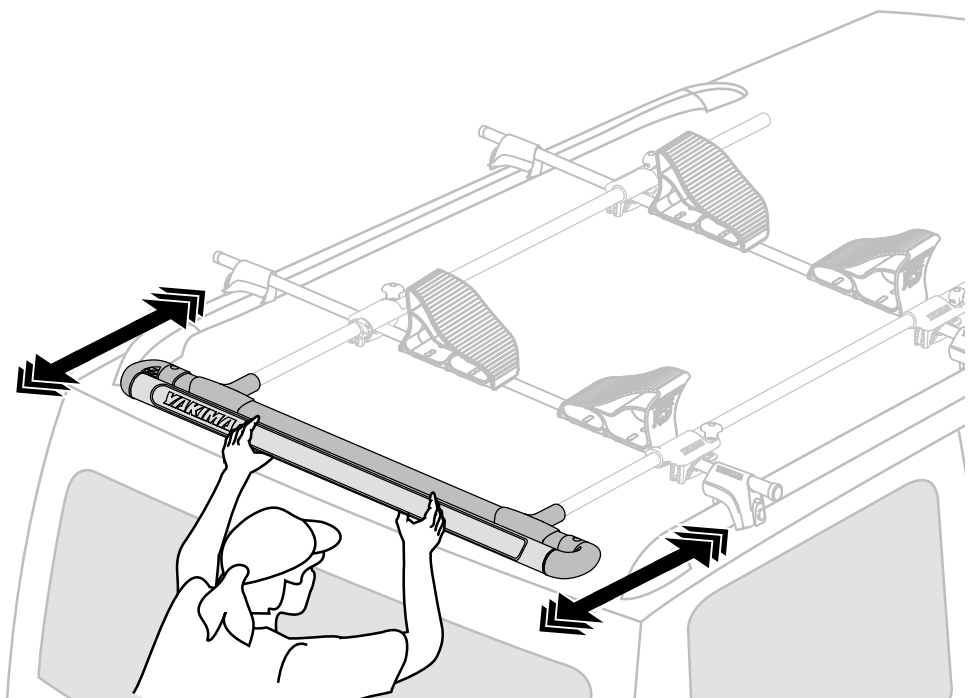
Use the provided wrench to tighten the bolts on each side.



Be sure that support bar is fully inserted into t-lug before tightening.

14 ALIGN SUPPORT BARS

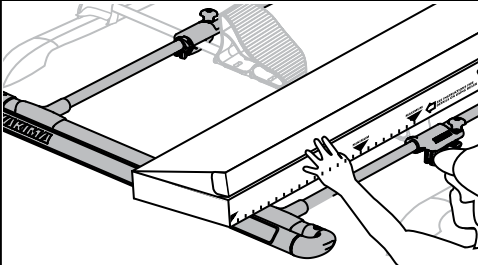
Open both red levers. Slide roller and support bars back and forth to check for smooth operation. This action will help to align support bars.



Once aligned, tighten the front clamps completely, using firm pressure. Be sure to align front knobs' markings with markings on clamps. No interference between knobs and support bars should occur. Then tighten rear clamps with firm pressure.

15 SET MAXIMUM EXTENSION

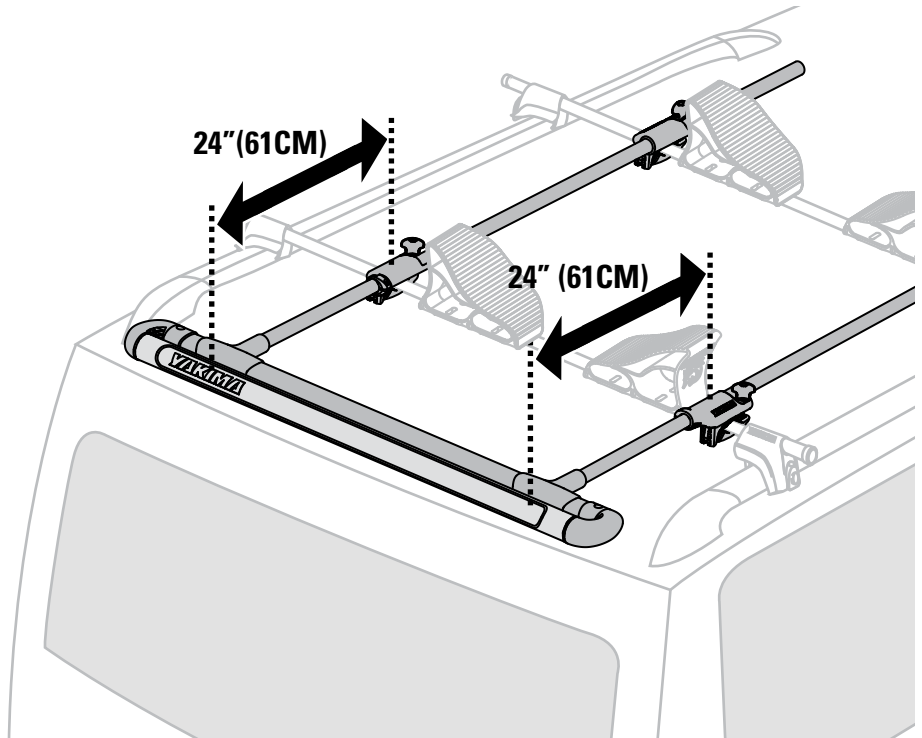
MEASURING TIP:



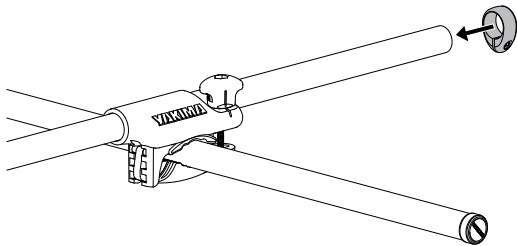
The maximum distance for 66" (168cm) bars with an 80 lbs. (36kg) boat is printed right on the ShowBoat carton.

Set distance from center of roller to center of rear crossbar at 24" (61cm).

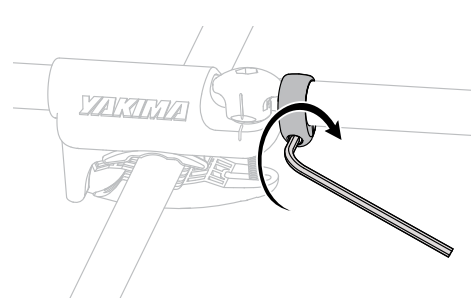
Close the red levers.



16 INSTALL STOP COLLAR



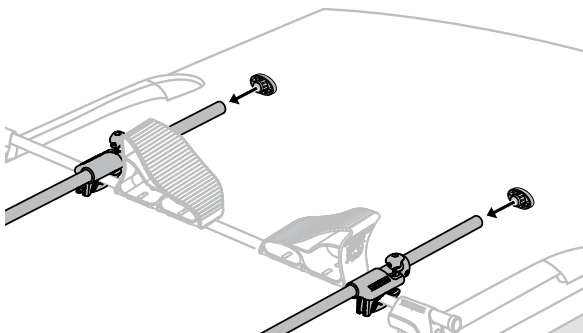
Slide stop collar on passenger side support bar.



Use the provided wrench to tighten the bolt.

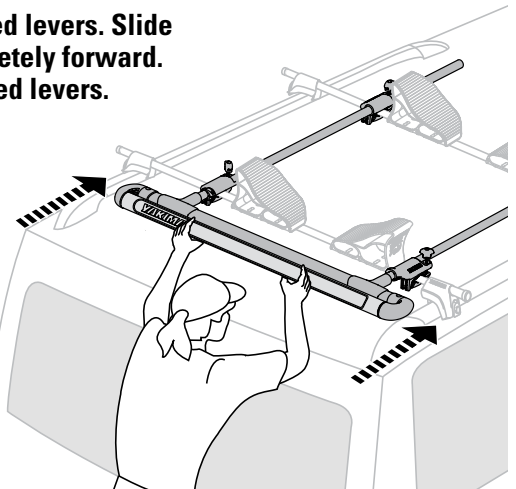
17 INSTALL END CAPS

Push end caps into support bar with firm pressure.



18 ALWAYS SECURE ROLLER WHEN OPERATING VEHICLE

Open both red levers. Slide roller completely forward. Close both red levers.



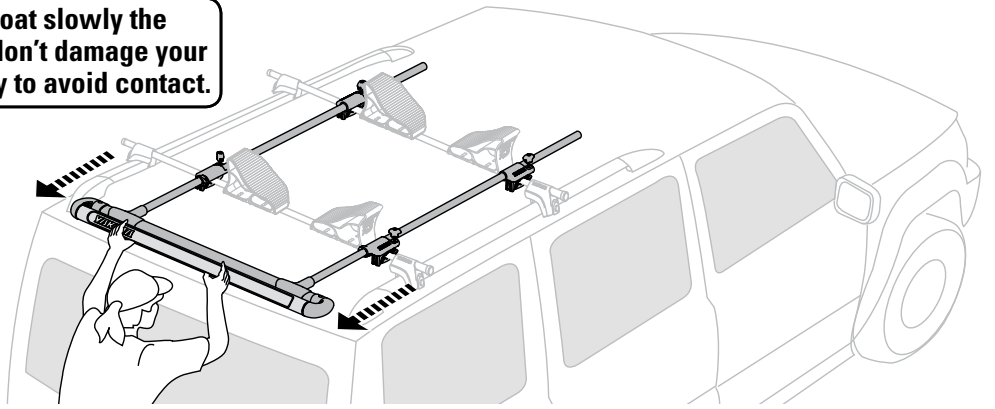
LOADING YOUR BOAT(S)

19

NOTE: Be sure to load your boat slowly the first time to ensure that you don't damage your hull. Re-position if necessary to avoid contact.

Open both red levers. Pull middle of roller backward until it meets the stop collar. Close red levers.

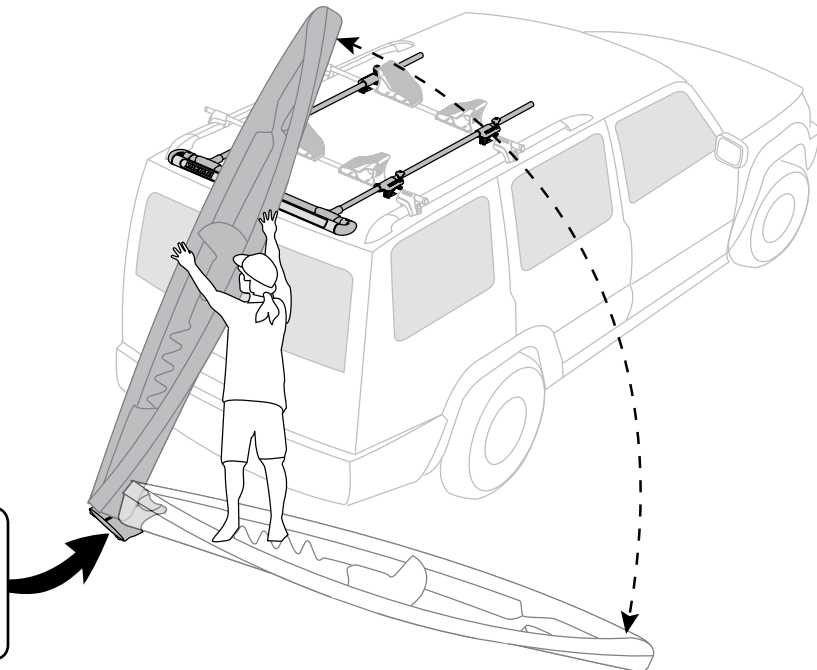
NOTE: If roller does not extend easily, re-align the clamps (step 14).



Lean boat against roller so that no contact between boat and vehicle occurs.

NOTE: Always keep one hand on boat while loading.

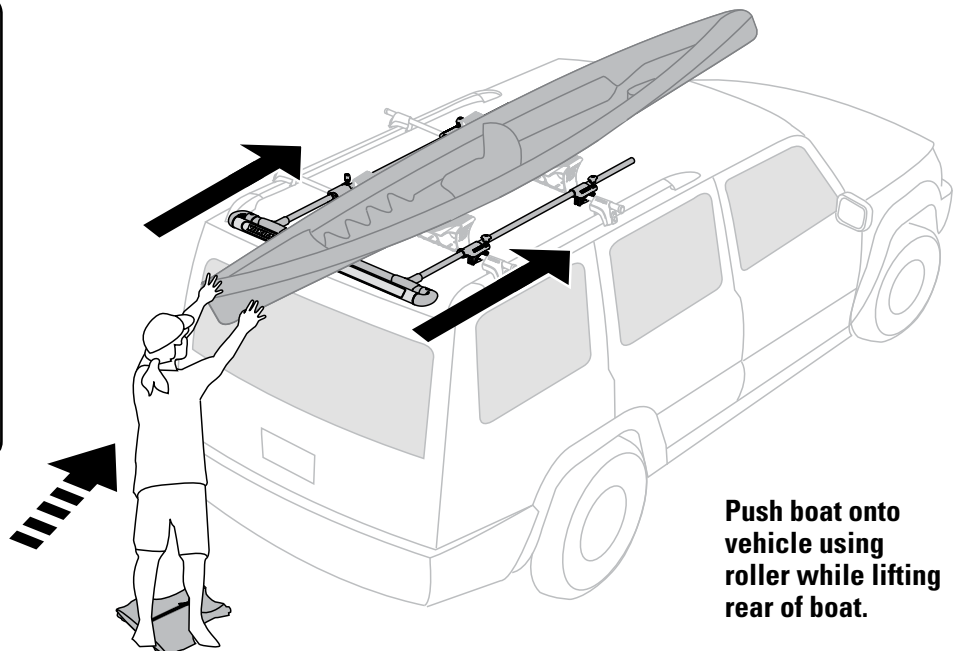
TIP: To protect your boat's finish use your personal flotation device (PFD) to rest your boat on.



CAUTION: Potential for contact between hull and ShowBoat!



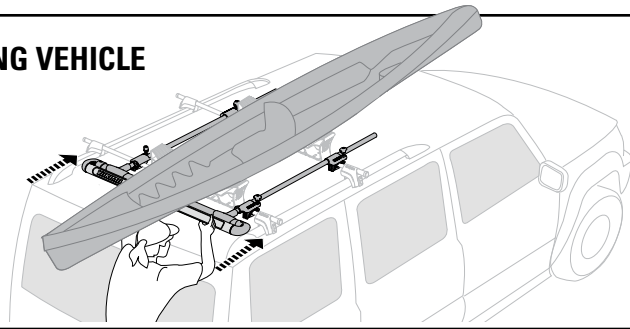
For more clearance, canoe installation is recommended, but with roller installed in upward orientation.



Push boat onto vehicle using roller while lifting rear of boat.

20 ALWAYS SECURE ROLLER BEFORE OPERATING VEHICLE

Open red levers and push roller completely forward. Close red levers.

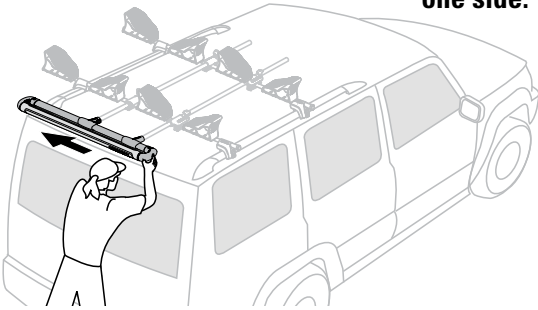


Failure to secure boat(s) to mounts, or front and rear of long loads to ends of vehicle can result in property damage, personal injury, or death. See your accessory mount instruction for proper procedure.

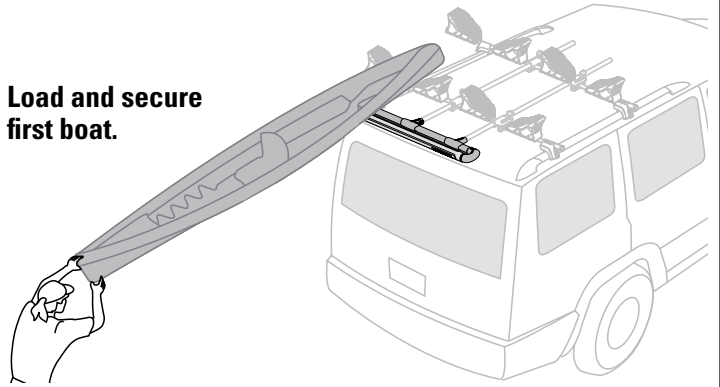
LOADING MULTIPLE BOATS

21

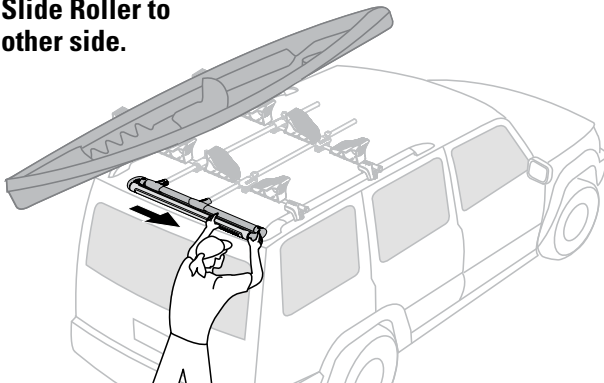
Slide Roller to one side.



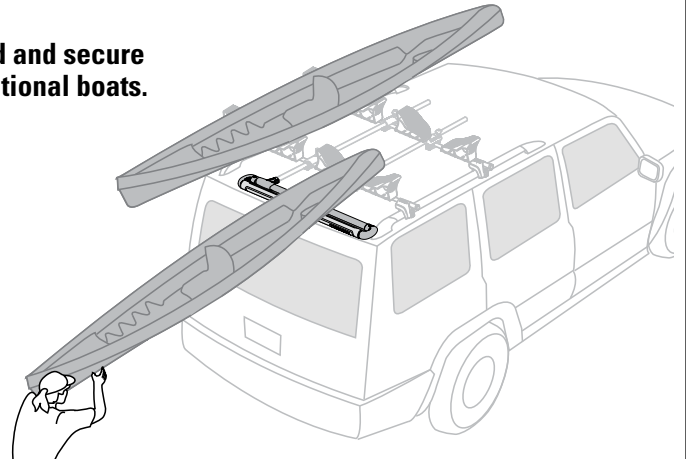
Load and secure first boat.



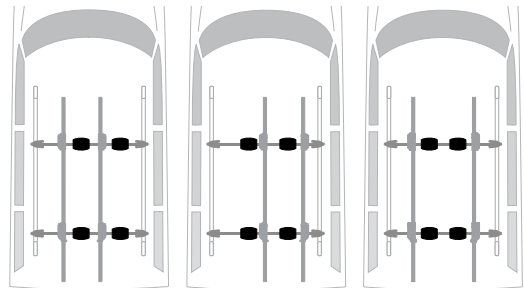
Slide Roller to other side.



Load and secure additional boats.



NOTE: Saddles and ShowBoat may need repositioning.



IMPORTANT!

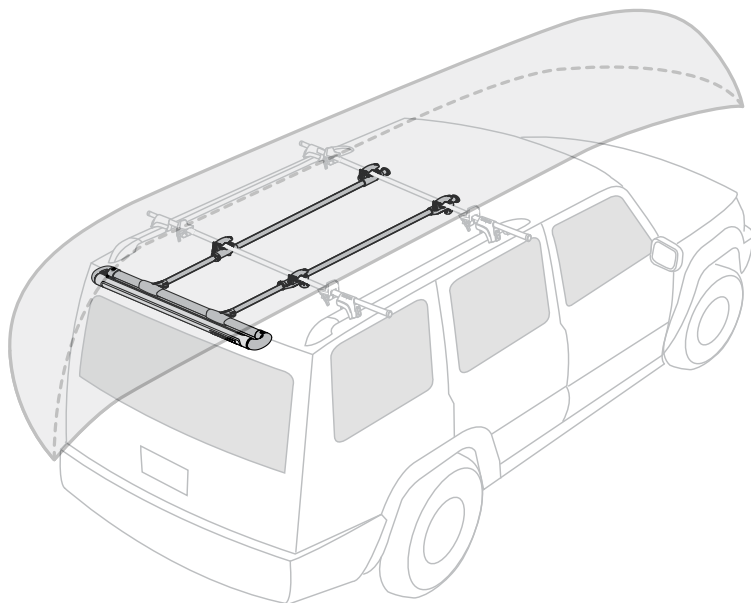


READ ALL IMPORTANT WARNINGS AND CAUTIONS ABOUT THIS PRODUCT ON PAGES 19 & 20.

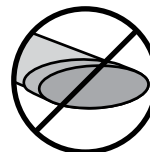


Failure to secure boat(s) to mounts, or front and rear of long loads to ends of vehicle can result in property damage, personal injury, or death. See your accessory mount instruction for proper procedure.

INSTRUCTION FOR CANOE INSTALLATION

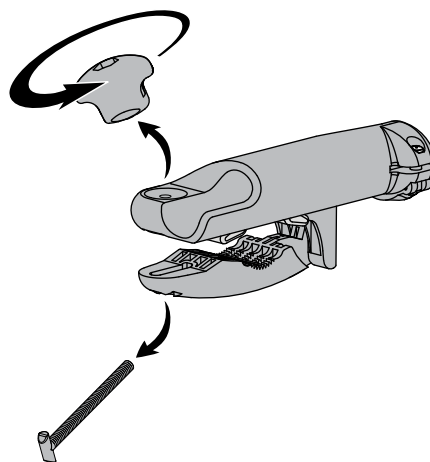


**CAUTION: CANOE
LOADING IS NOT
RECOMMENDED FOR
FACTORY CROSSBARS!**



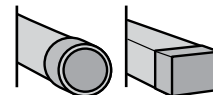
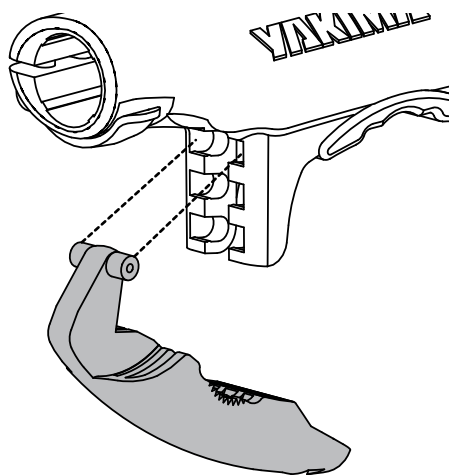
22 PREPARE CLAMPS FOR INSTALLATION

Remove adjustment knob and t-bolt for each of the four clamps.



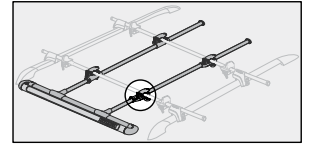
23 ADJUST BAIL POSITION

If necessary, remove bail from current notch in clamp, and snap into upper notch in clamp.

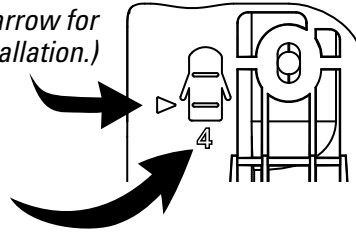


ROUND BARS & SQUARE BARS

24 INSTALL REAR PASSENGER SIDE CLAMP (DO NOT FULLY TIGHTEN)

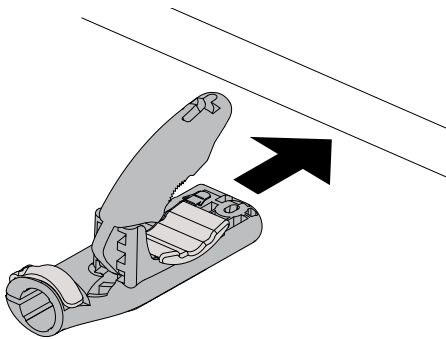


(Disregard arrow for canoe installation.)

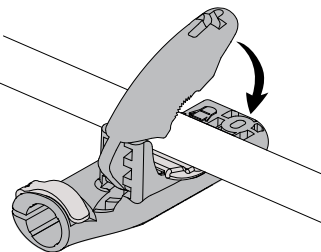


Identify rear passenger side clamp by locating the number on the bottom of clamp.

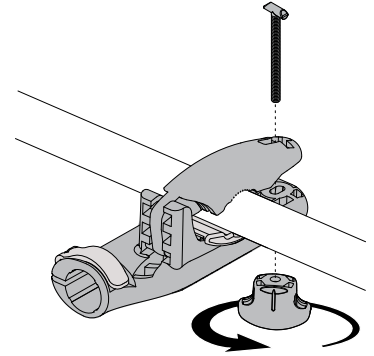
The correct number for the rear passenger side clamp is #4.



With clamp open, put clamp in place around crossbar.

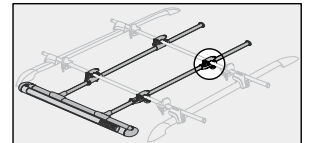


Close clamp.

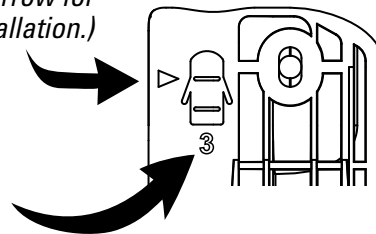


Replace t-bolt, and tighten knob. Tighten just enough to hold clamp in place.

25 INSTALL FRONT PASSENGER SIDE CLAMP (DO NOT FULLY TIGHTEN)

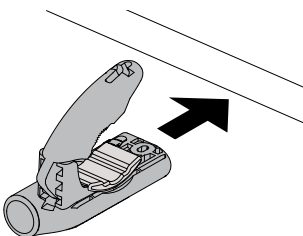


(Disregard arrow for canoe installation.)

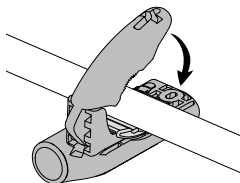


Identify front passenger side clamp by locating the number on the bottom of clamp.

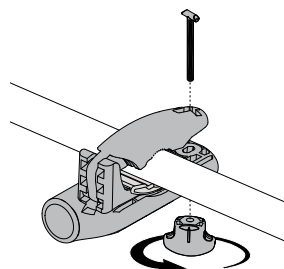
The correct number for the front passenger side clamp is #3.



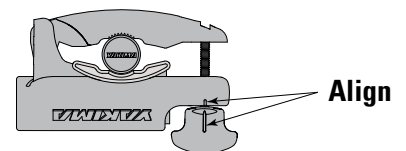
With clamp open, put clamp in place around crossbar.



Close clamp.



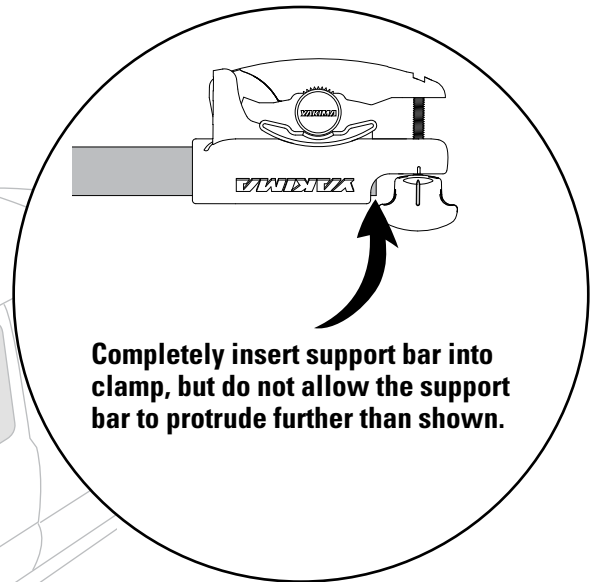
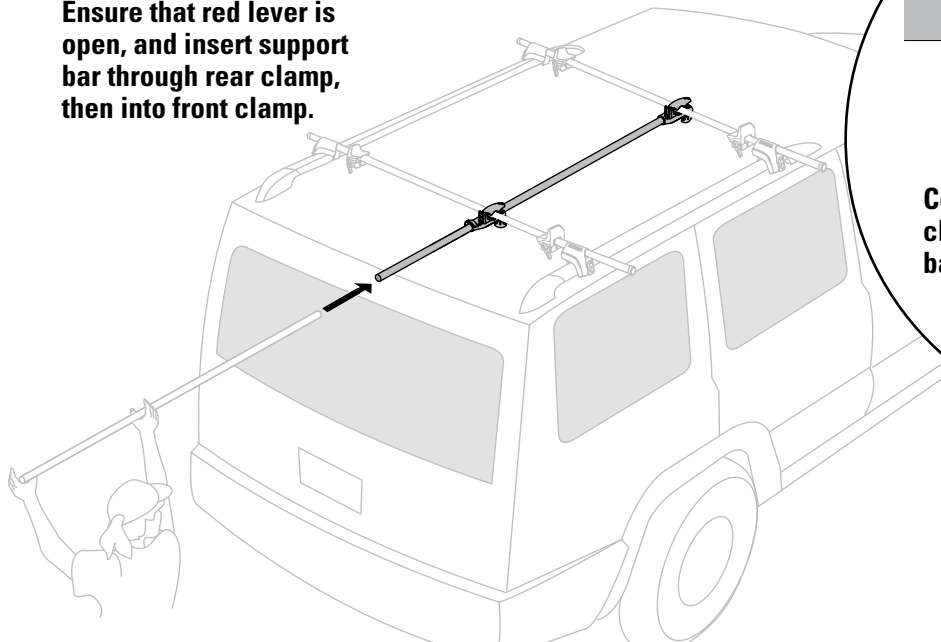
Replace t-bolt, and tighten knob. Tighten just enough to hold clamp in place.



Align markings on clamp and adjustment knob.

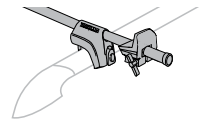
26 INSERT SUPPORT BAR

Ensure that red lever is open, and insert support bar through rear clamp, then into front clamp.

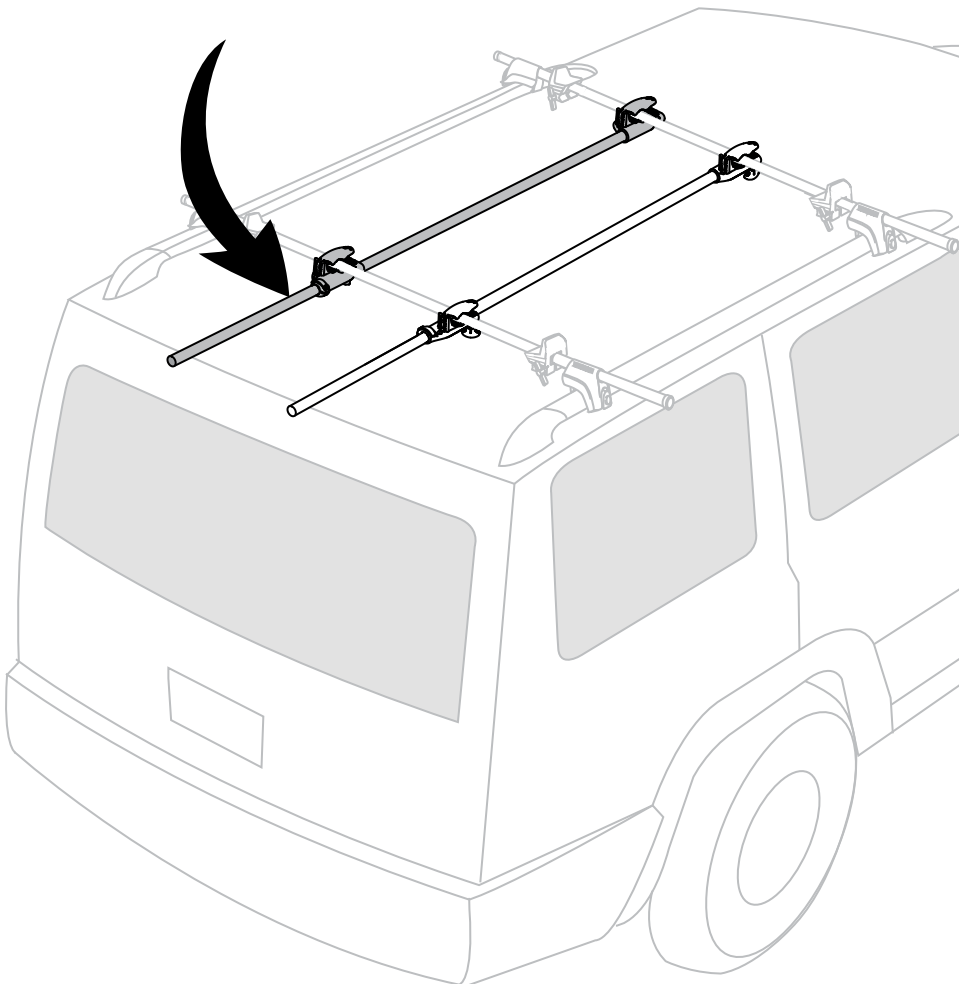


Completely insert support bar into clamp, but do not allow the support bar to protrude further than shown.

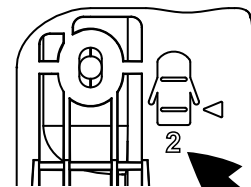
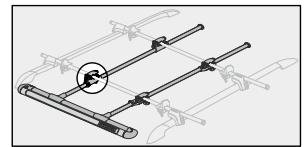
NOTE: Gunwales can be positioned outside of towers.



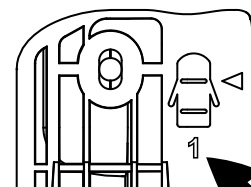
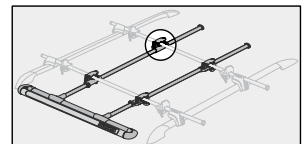
27 Install driver side clamps and support bar using the same procedure as for the passenger side.



Rear driver side clamp Identification is #2.

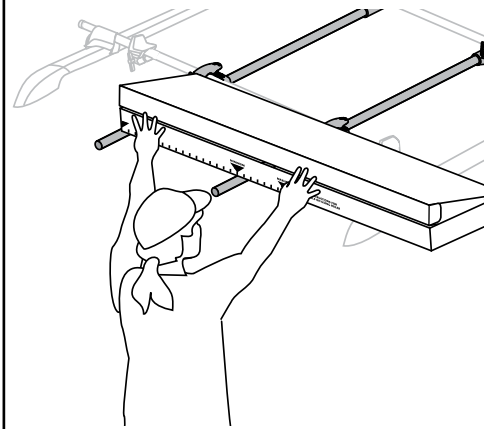


Front driver side clamp Identification is #1.



28 SET SUPPORT BAR SPREAD

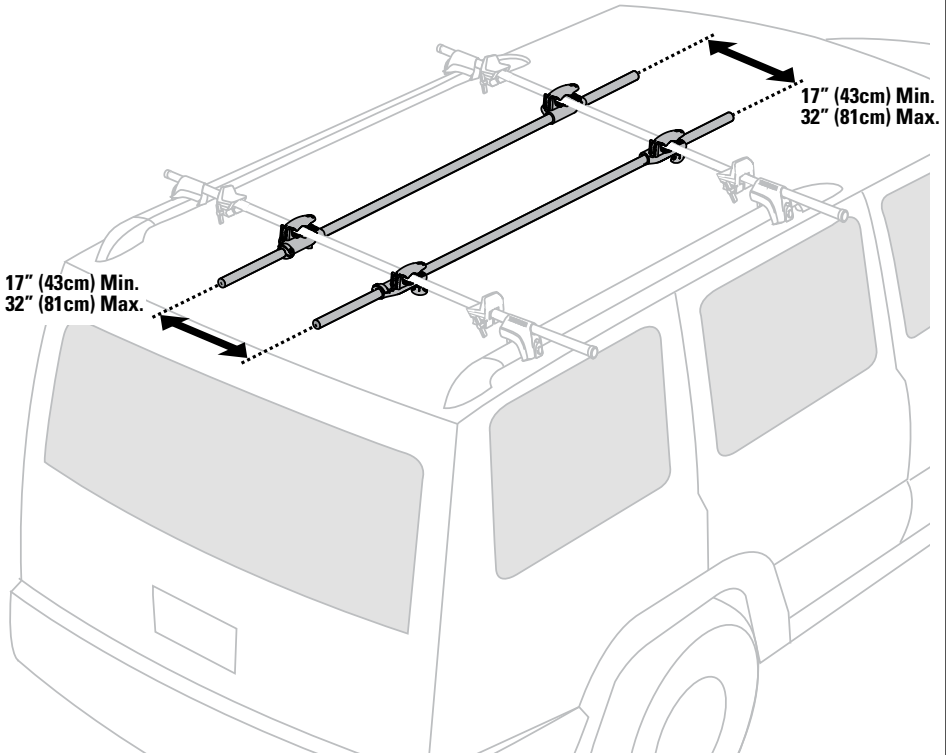
MEASURING TIP:



The minimum spread is printed right on the ShowBoat carton.

17" (43cm) Min.
32" (81cm) Max.

17" (43cm) Min.
32" (81cm) Max.



Ensure that distance between left and right support bars are the same at the front and rear of vehicle.

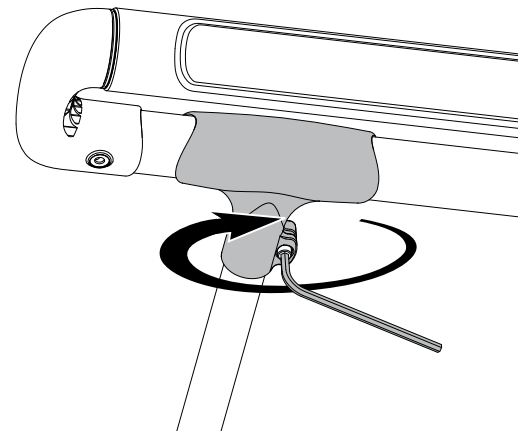
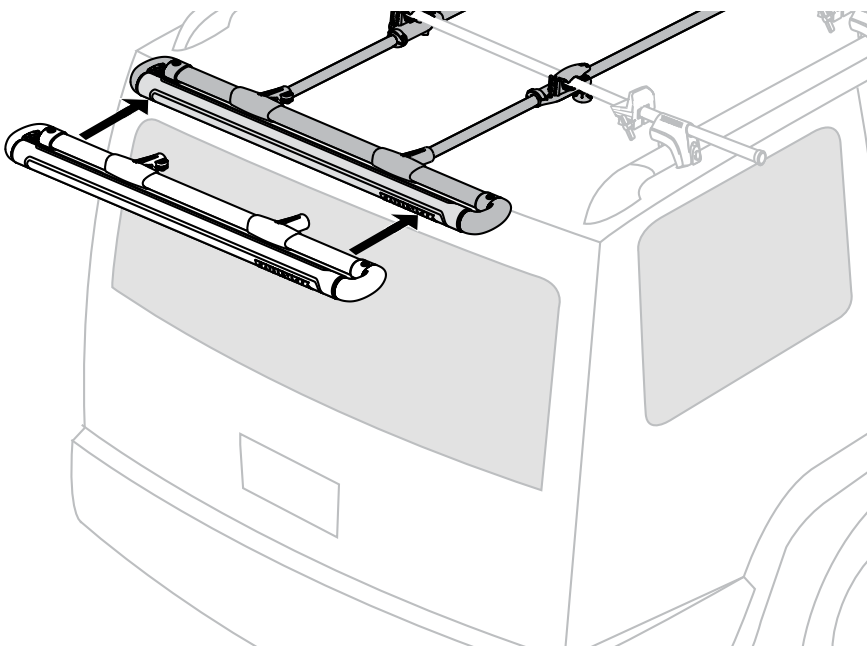


**17" (43cm) IS THE MINIMUM SPREAD.
32" (81cm) IS THE MAXIMUM SPREAD.**

29 INSTALL ROLLER

With red levers in closed position, slide roller onto support bars.

Note: roller to be angled downward for canoes.



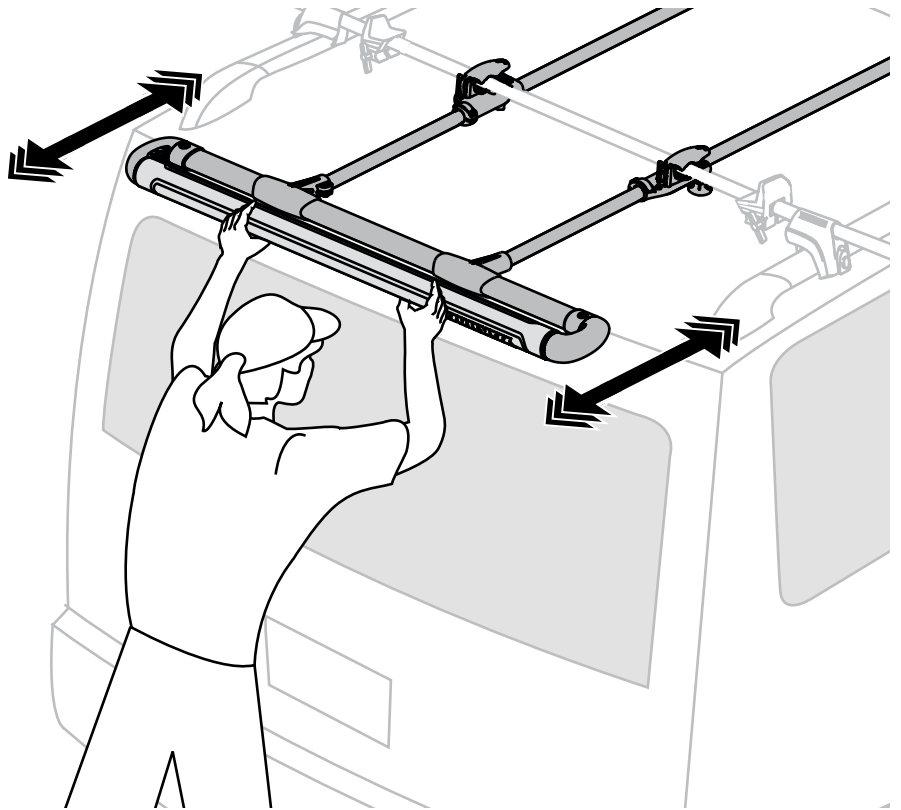
Use the provided wrench to tighten the bolt on each side of roller.



Be sure that support bar is fully inserted into t-lug before tightening.

30 ALIGN SUPPORT BARS

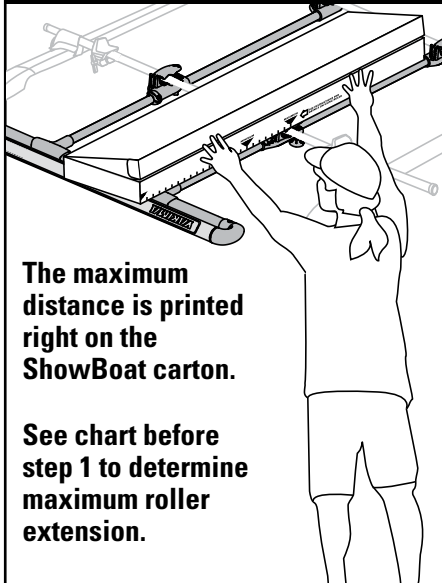
Open both red levers. Slide roller and support bars back and forth to check for smooth operation. This action will help to align support bars.



Once aligned, tighten the front clamps completely, using firm pressure. Be sure to align front knobs' markings with markings on clamps (refer to step 10). No interference between knobs and support should occur. Then tighten rear clamps with firm pressure.

31 SET MAXIMUM EXTENSION

MEASURING TIP:

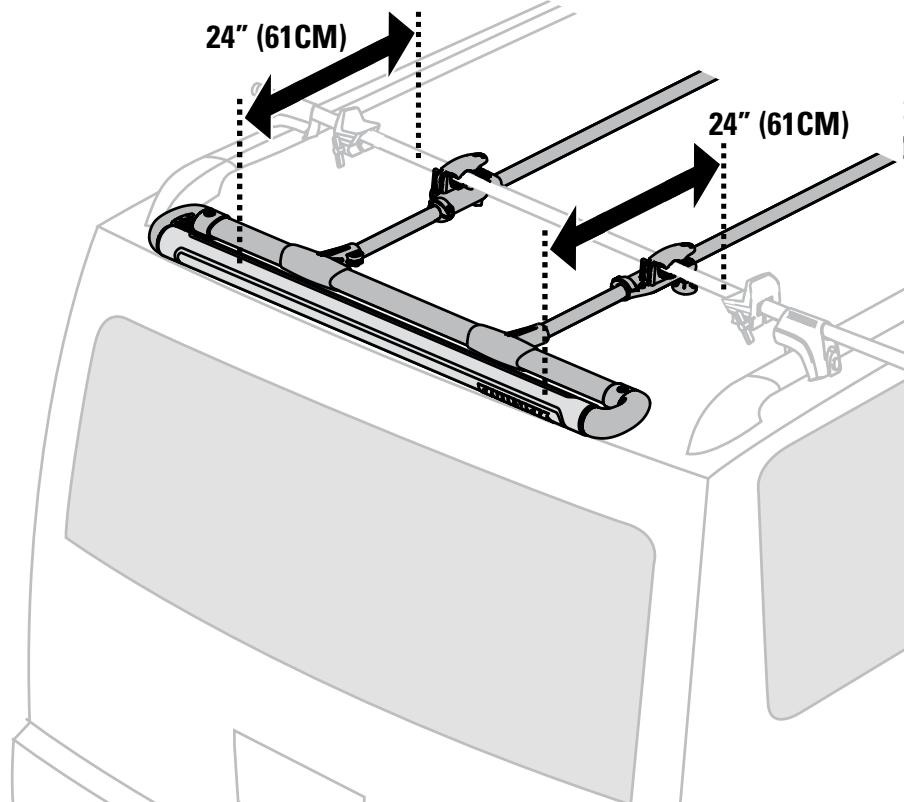


The maximum distance is printed right on the ShowBoat carton.

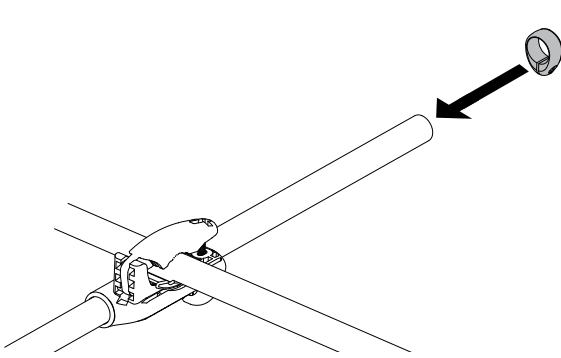
See chart before step 1 to determine maximum roller extension.

Set distance from center of roller to center of rear crossbar at 24" (61cm).

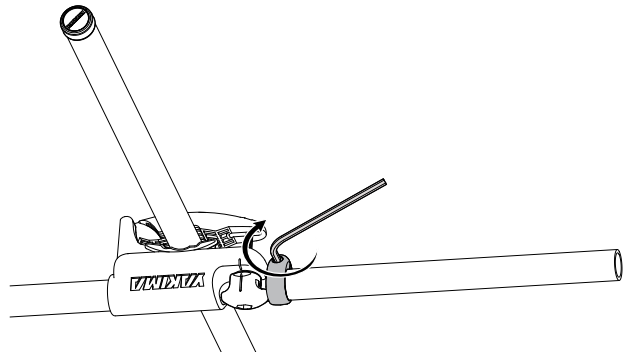
Close the red levers.



32 INSTALL STOP COLLAR

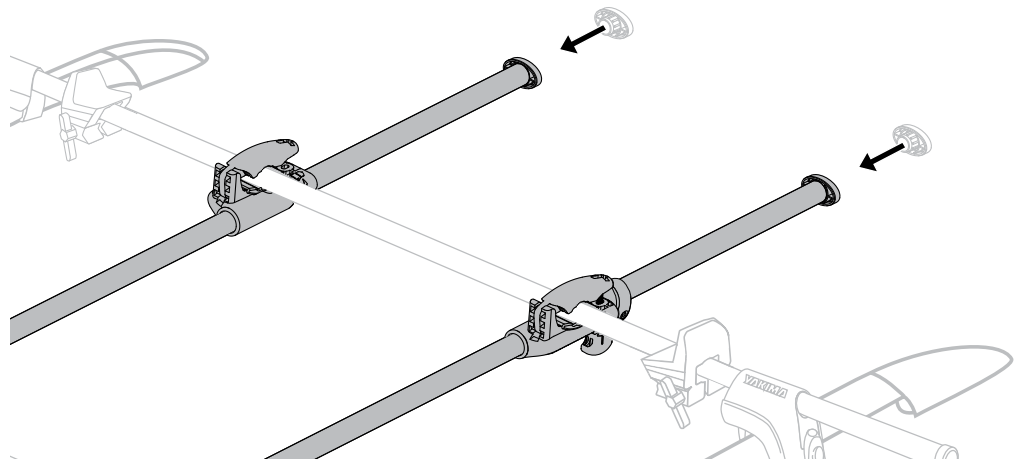


Slide stop collar on passenger side support bar until it meets the front clamp.



Use the provided wrench to tighten the bolt.

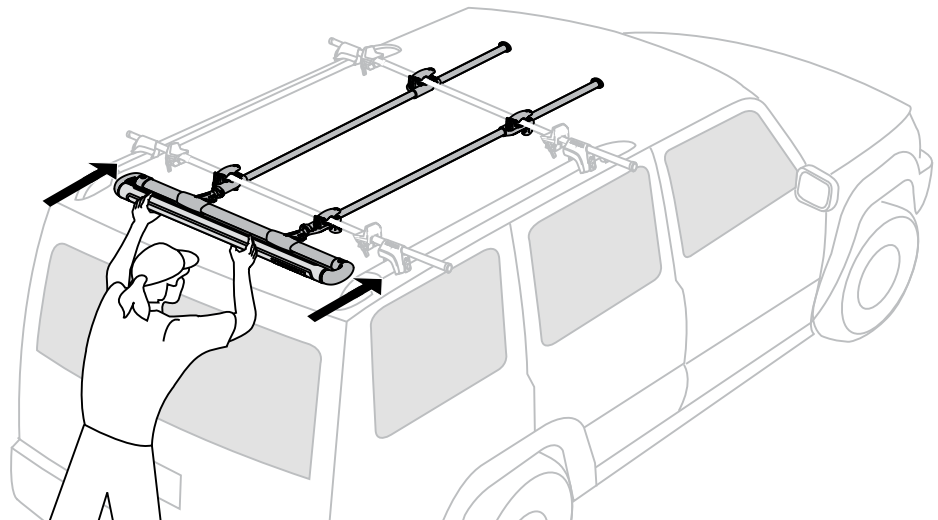
33 INSTALL END CAPS



Push end caps into support bar with firm pressure.

34 ALWAYS SECURE ROLLER WHEN OPERATING VEHICLE

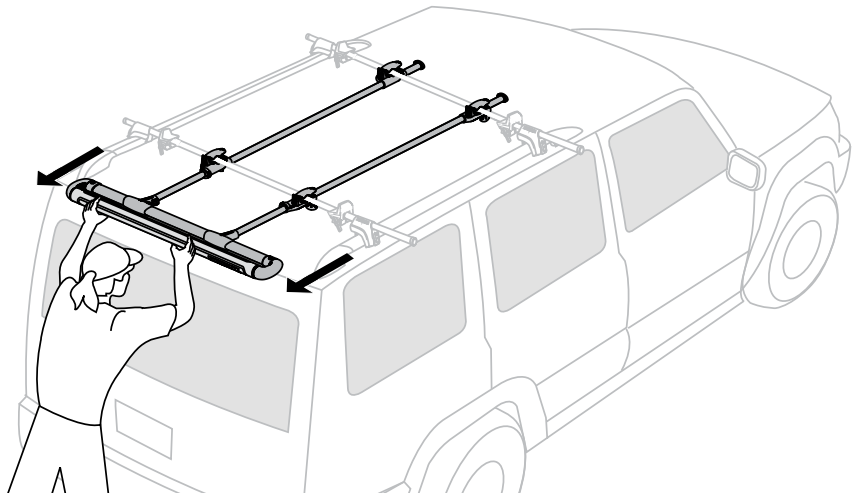
Open both red levers. Slider roller completely forward. Close both red levers.



35 LOADING YOUR CANOE

Open both red levers. Pull roller backward until it meets the stop collar. Close both red levers.

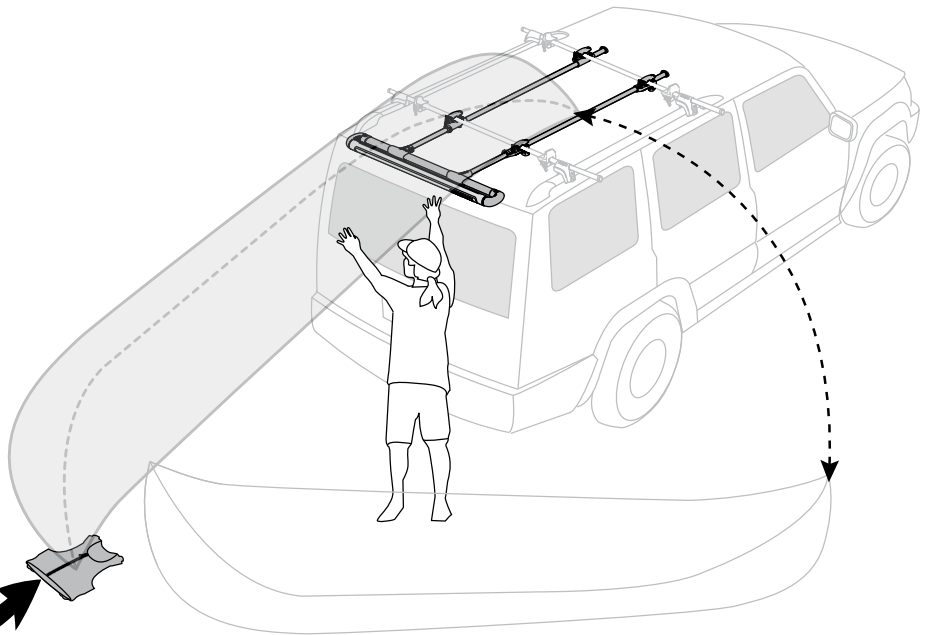
NOTE: If roller does not extend easily, re-align the clamps (step 30).




Lean canoe against roller so that no contact between canoe and vehicle occurs.

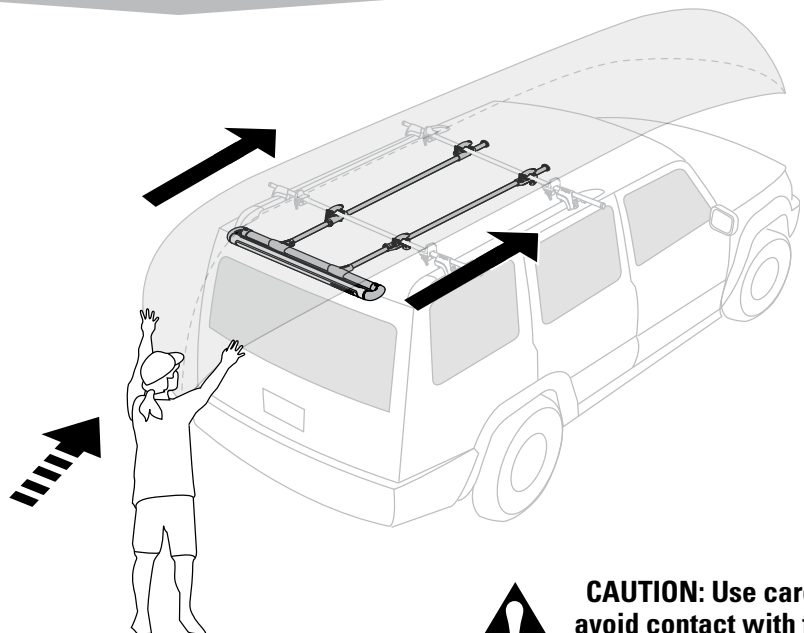
NOTE: Always keep one hand on boat while loading.

TIP: To protect your canoe's finish use your personal flotation device (PFD) to rest your canoe on.



Push canoe onto vehicle using roller while lifting rear of canoe.

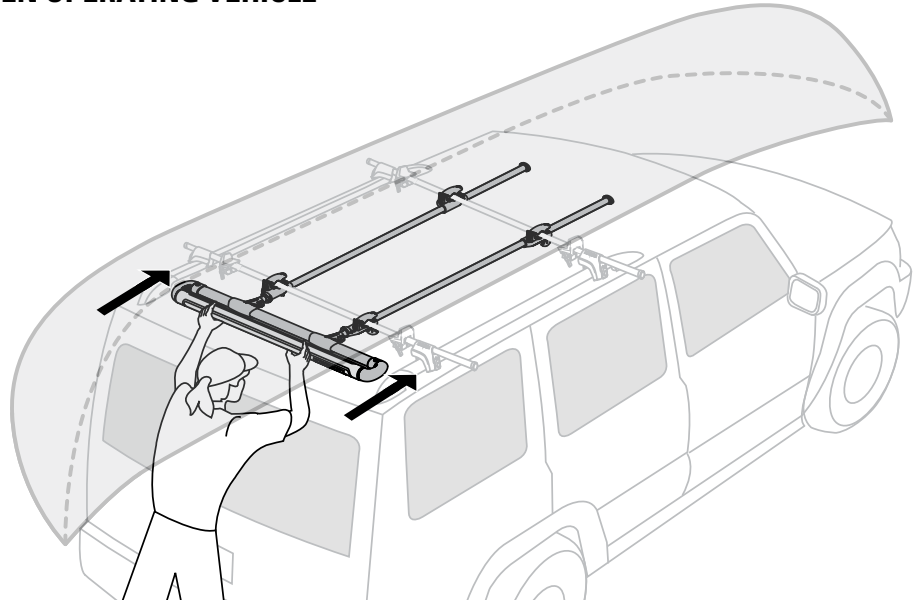

Interference with ShowBoat clamps, bails, gunwale, or other accessory mounts may occur. Use caution when loading canoe.



 **CAUTION:** Use care to avoid contact with front crossbar while loading.

36 ALWAYS SECURE ROLLER WHEN OPERATING VEHICLE

Open red levers and push roller completely forward. Close red levers.

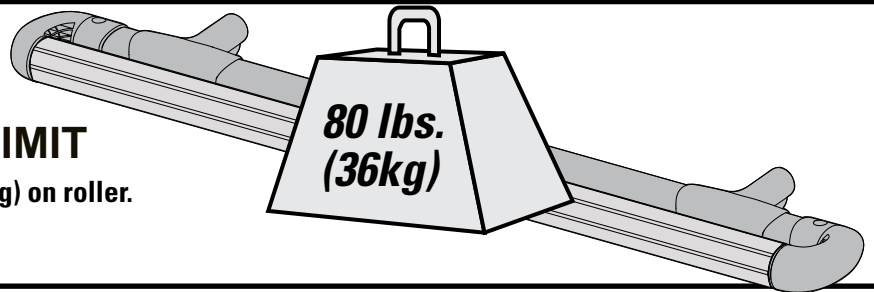


Failure to secure boat(s) to mounts, or front and rear of long loads to ends of vehicle can result in property damage, personal injury, or death. See your accessory mount instruction for proper procedure.

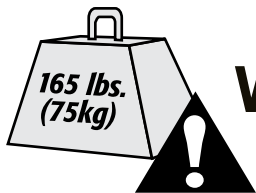


ROLLER WEIGHT LIMIT

- Never put more than 80 lbs. (36kg) on roller.
- Never hang on roller.



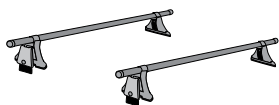
SEE YOUR ACCESSORY INSTRUCTIONS FOR IMPORTANT WARNINGS



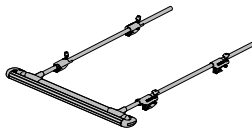
WEIGHT LIMITS

Follow the YAKIMA Fit List, or check online at Yakima.com for weight limit guidelines.

ROOF RACK



**THIS PRODUCT
(19 lbs. / 8.6 kg)**



**ANY
ACCESSORIES**

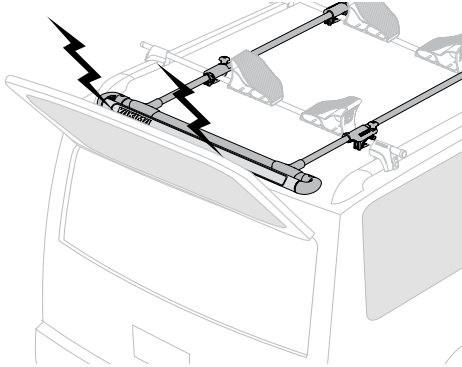


**Not more than 165
lbs. (75 kg) unless
otherwise noted.**



LOAD

IF YOU REMOVE YOUR CARRIER, FOLLOW INSTRUCTIONS TO INSTALL AGAIN.
Follow safety checks in accessory instructions before every installation.

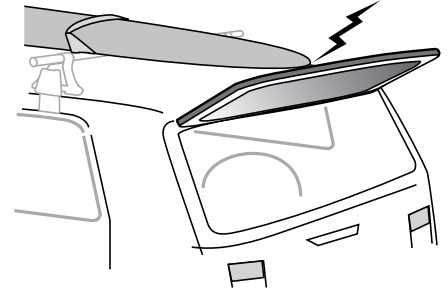


REAR HATCH

Showboat may prevent rear hatch from fully opening.

Some longer loads may prevent the rear hatch from fully opening.

ALWAYS USE CAUTION WHEN OPENING YOUR HATCH.



ANTENNA

Antenna on the roof may need to be removed to prevent interference with long loads.



WARNING: BE SURE ALL HARDWARE IS SECURED ACCORDING TO INSTRUCTIONS. ATTACHMENT HARDWARE CAN LOOSEN OVER TIME. CHECK BEFORE EACH USE, AND TIGHTEN IF NECESSARY.

MAINTENANCE: Use non-water soluble lubricant on screws. Use a soft cloth with water and mild detergent to clean plastic parts.

REMOVE ACCESSORY BEFORE ENTERING AN AUTOMATIC CAR WASH.

**TECHNICAL ASSISTANCE
OR REPLACEMENT PARTS**
Visit www.yakima.com, or contact your dealer, or call (888)925-4621
Monday through Friday,
7:00 AM to 5:00 PM, PST.

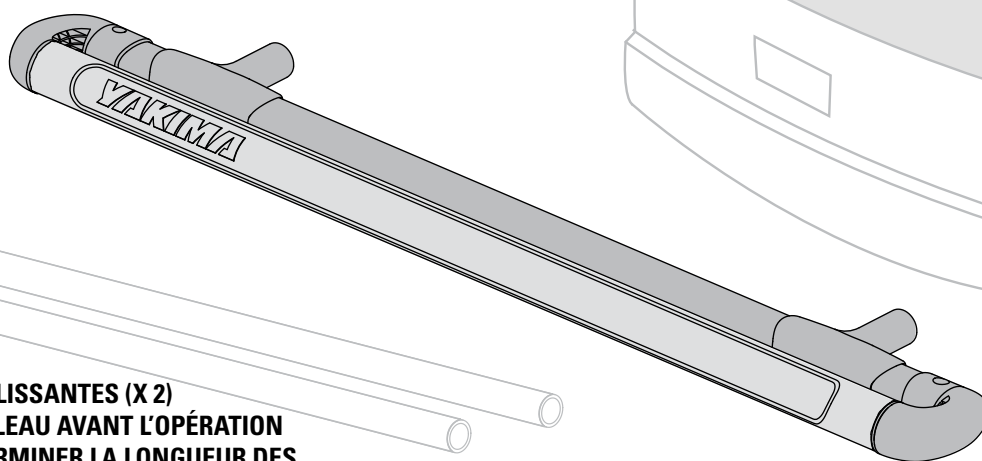
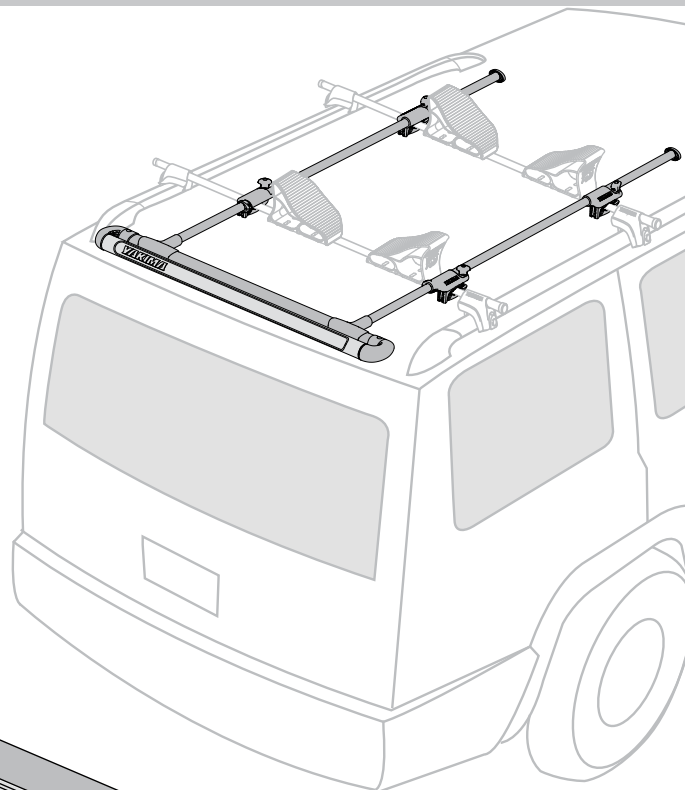


This product is covered by YAKIMA's
"Love It Till You Leave It" Limited Lifetime Warranty
To obtain a copy of this warranty, go online to
www.yakima.com or email us at
yakwarranty@yakima.com or call (888) 925-4621.

Not following instructions, or fit list, or fit notes voids warranty.

KEEP THESE INSTRUCTIONS!

PORTE-BAGAGES D'ORIGINE : Consulter les notes de la liste de compatibilité ou le site Yakima.com pour trouver la distance à employer entre les barres transversales.

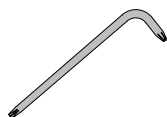


BARRES COULISSANTES (X 2)
(VOIR LE TABLEAU AVANT L'OPÉRATION 1 POUR DÉTERMINER LA LONGUEUR DES BARRES ET LEUR NUMÉRO D'ARTICLE. ELLES SONT VENDUES À PART.)

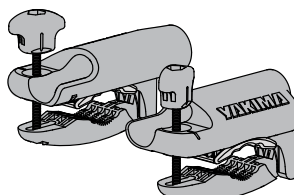
ROULEAU (X 1)



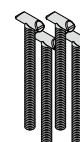
BOUCHONS D'EXTRÉMITÉ (X 2)



CLÉ À SIX LOBES (X 1)



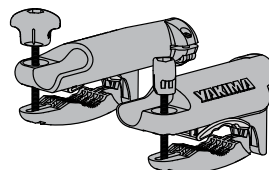
PINCES AVANT (X 2)



BOULONS EN T EXTRA-LONGS (X 4)



COLLIER DE BUTÉE (X 1)



PINCES ARRIÈRE (X 2)



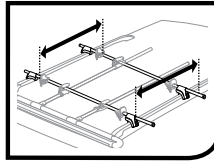
AVERTISSEMENT IMPORTANT:

IL EST IMPÉRATIF QUE LES PORTE-BAGAGES ET LES ACCESSOIRES YAKIMA SOIENT CORRECTEMENT ET SOLIDEMENT FIXÉS AU VÉHICULE. UN MONTAGE MAL RÉALISÉ POURRAIT PROVOQUER UN ACCIDENT D'AUTOMOBILE, QUI POURRAIT ENTRAÎNER DES BLESSURES GRAVES OU MÊME LA MORT, À VOUS OU À D'AUTRES PERSONNES. VOUS ÊTES RESPONSABLE DE L'INSTALLATION DU PORTE-BAGAGES ET DES ACCESSOIRES SUR VOTRE VÉHICULE, D'EN VÉRIFIER LA SOLIDITÉ AVANT DE PRENDRE LA ROUTE ET DE LES INSPECTER RÉGULIÈREMENT POUR EN CONTRÔLER L'ÉTAT, L'AJUSTEMENT ET L'USURE. VOUS DEVEZ DONC LIRE ATTENTIVEMENT TOUTES LES INSTRUCTIONS ET TOUTS LES AVERTISSEMENTS ACCOMPAGNANT VOTRE PRODUIT YAKIMA AVANT DE L'INSTALLER ET DE L'UTILISER. SI VOUS NE COMPRENEZ PAS TOUTES LES INSTRUCTIONS ET TOUTS LES AVERTISSEMENTS, OU SI VOUS N'AVEZ PAS DE COMPÉTENCES EN MÉCANIQUE ET NE COMPRENEZ PAS PARFAITEMENT LA MÉTHODE DE MONTAGE, VOUS DEVRIEZ FAIRE INSTALLER LE PRODUIT PAR UN PROFESSIONNEL.

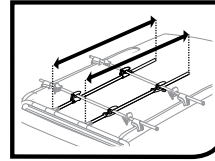
Yakima recommande des barres coulissantes de 168 cm (66 po) pour la plupart des véhicules. Pour personnaliser le montage en fonction du véhicule et de l'embarcation, on peut aussi employer le tableau ci-dessous.



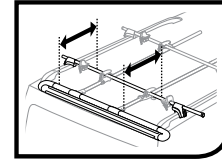
NE PAS OUBLIER LES BARRES COULISSANTES ! (vendues à part)



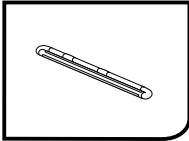
DISTANCE ENTRE LES BARRES TRANSVERSALES



LONGUEUR DES BARRES COULISSANTES

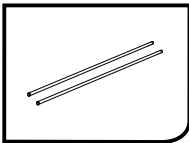


EXTENSION DU ROULEAU

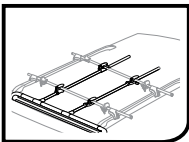


POIDS DE L'EMBARCATION

Jusqu'à 16 kg (35 lb)



De 16 à 23 kg (35 à 50 lb)



De 23 à 36 kg (50 à 80 lb)

DISTANCE ENTRE LES BARRES TRANSVERSALES ET LONGUEUR DES BARRES COULISSANTES

DISTANCE ENTRE LES BARRES TRANSVERSALES 61 à 71 cm (24 à 28 po)	DISTANCE ENTRE LES BARRES TRANSVERSALES 71 à 102 cm (28 à 40 po)
EMPLOYER DES BARRES COULISSANTES DE 168 cm (66 po) Art. n° 00410	EMPLOYER DES BARRES COULISSANTES DE 198 cm (78 po) Art. n° 00411

EXTENSION MAXIMALE DU ROULEAU

EXTENSION MAXIMALE DU ROULEAU : 86 cm (34 po)

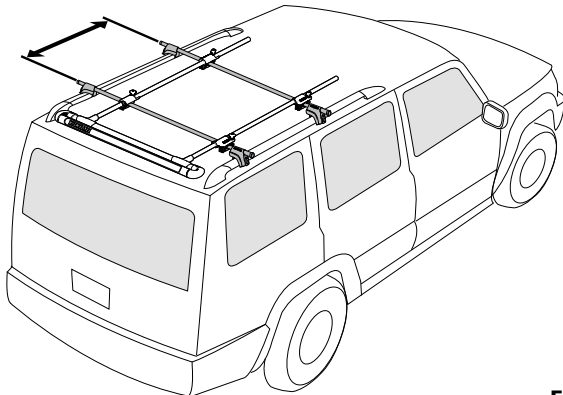
DISTANCE ENTRE LES BARRES TRANSVERSALES 61 à 81 cm (24 à 32 po)	DISTANCE ENTRE LES BARRES TRANSVERSALES 81 à 112 cm (32 à 44 po)
EMPLOYER DES BARRES COULISSANTES DE 168 cm (66 po) Art. n° 00410	EMPLOYER DES BARRES COULISSANTES DE 198 cm (78 po) Art. n° 00411

EXTENSION MAXIMALE DU ROULEAU : 76 cm (30 po)

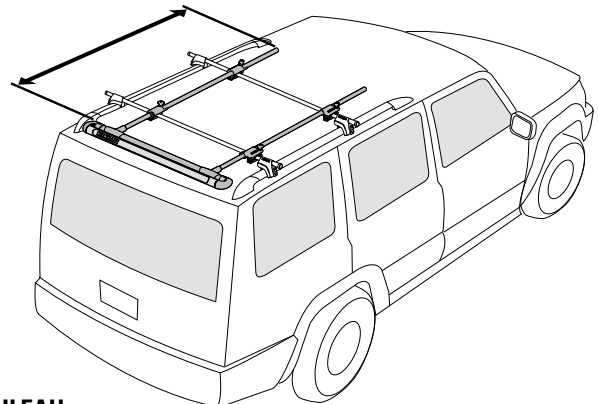
DISTANCE ENTRE LES BARRES TRANSVERSALES 61 à 76 cm (24 à 28 po)	DISTANCE ENTRE LES BARRES TRANSVERSALES 76 à 97 cm (30 à 38 po)	DISTANCE ENTRE LES BARRES TRANSVERSALES 97 à 127 cm (38 à 50 po)
EMPLOYER DES BARRES COULISSANTES DE 147 cm (58 po) Art. n° 00409	EMPLOYER DES BARRES COULISSANTES DE 168 cm (66 po) Art. n° 00410	EMPLOYER DES BARRES COULISSANTES DE 198 cm (78 po) Art. n° 00411

EXTENSION MAXIMALE DU ROULEAU : 61 cm (24 po)

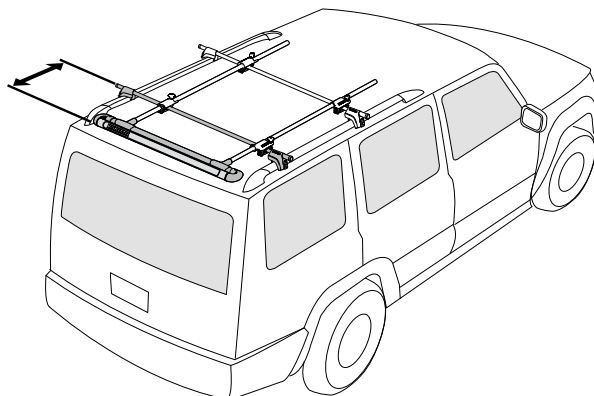
DISTANCE ENTRE LES BARRES TRANSVERSALES



LONGUEUR DES BARRES COULISSANTES



EXTENSION DU ROULEAU

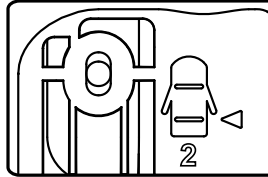




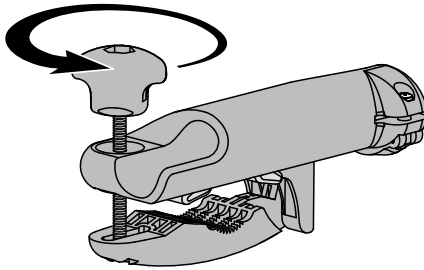
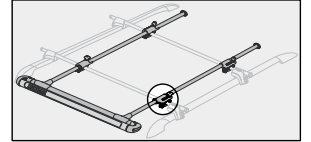
ATTENTION : POUR LE CHARGEMENT D'UN CANOT, PASSER À LA PAGE 12.

1 PRÉPARER LA PINCE ARRIÈRE, CÔTÉ PASSAGER

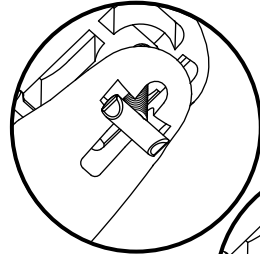
Pour certaines barres d'origine plus épaisses, il faudra peut-être employer les boulons en T longs inclus.



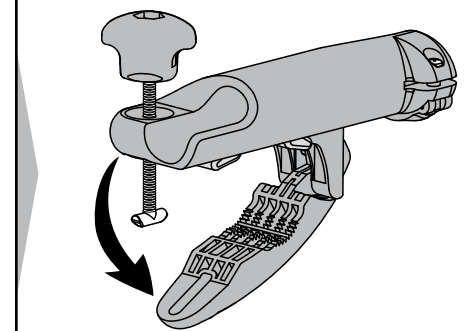
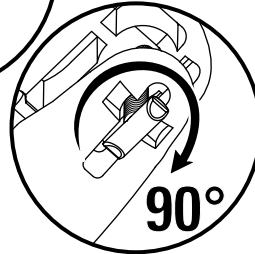
Conseil : on peut reconnaître les pinces grâce au symbole qu'elles portent en-dessous. Ici : on voit le symbole arrière, côté passager.



Dévisser le bouton de serrage au maximum (mais sans l'enlever).



Tourner le bouton en T.



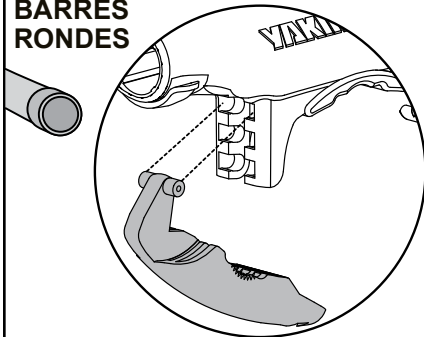
Ouvrir la pince.

2 RÉGLER LA POSITION DE LA MÂCHOIRE



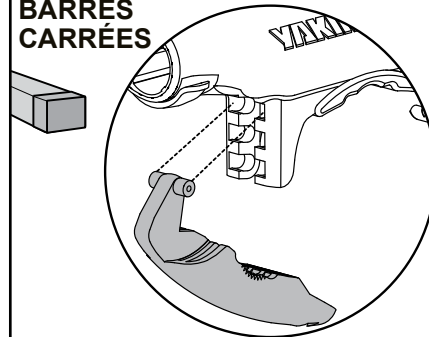
Au besoin, enlever la mâchoire de l'encoche où elle se trouve et l'emboîter dans l'encoche appropriée.

BARRES RONDES



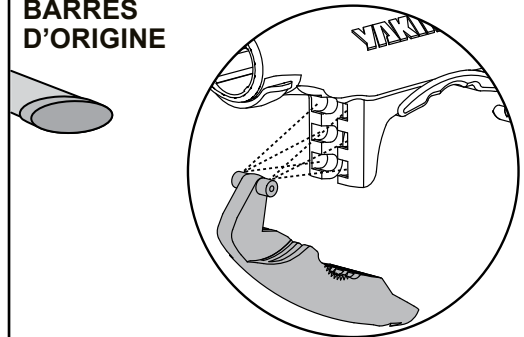
ENCOCHE DU HAUT

BARRES CARRÉES



ENCOCHE DU HAUT

BARRES D'ORIGINE

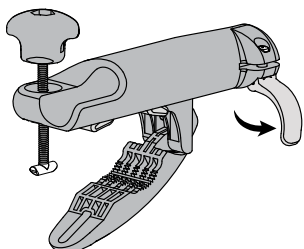


CHOISIR L'ENCOCHE OFFRANT LA MEILLEURE PRISE

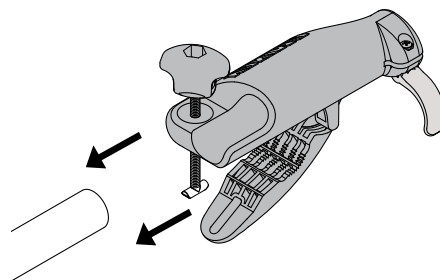
Il est important de consulter la boîte du rouleau ShowBoat ou le site Yakima.com, pour connaître les montages approuvés. Pour plus de détails sur des véhicules et des barres d'origine spécifiques, voir la liste de compatibilité (Fit List) Yakima, le site Yakima.com, ou appeler le service à la clientèle au (888) 925-4621.



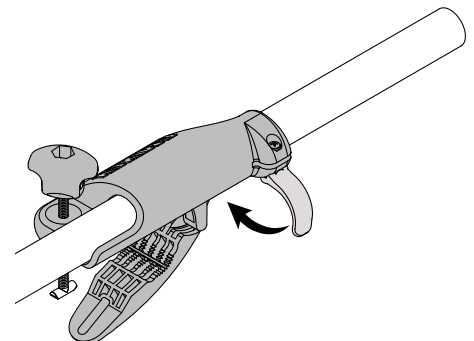
3 PLACER LA PINCE ARRIÈRE SUR LA BARRE COULISSANTE



Ouvrir le levier rouge.

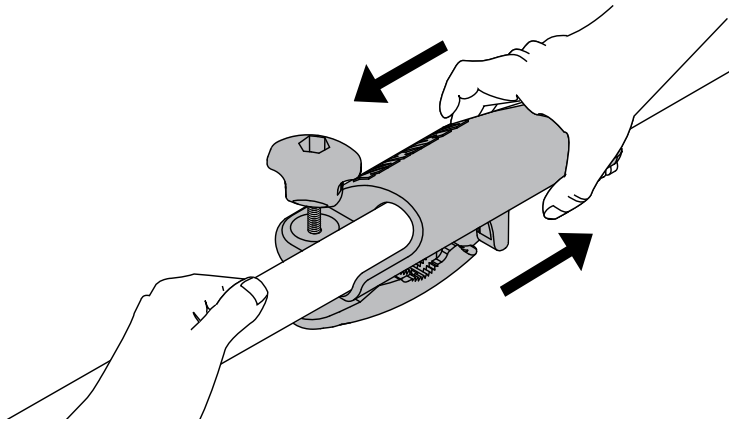


Enfiler la pince sur la barre.



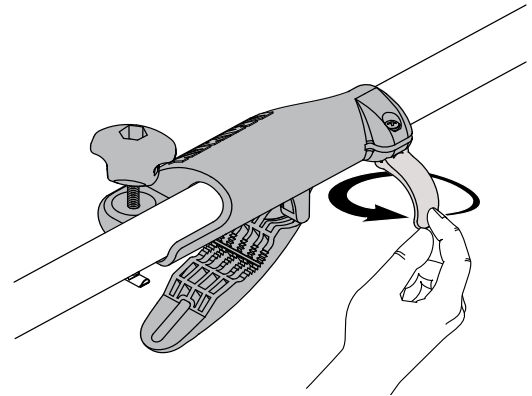
Refermer le levier rouge.

4 VÉRIFIER QUE LA PINCE EST CORRECTEMENT AJUSTÉE



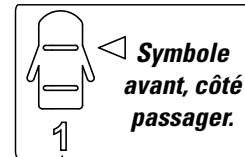
La pince ne devrait pas glisser quand le levier rouge est fermé, mais doit coulisser librement quand il est ouvert.

Pour serrer la pince, ouvrir le levier rouge et lui donner un tour vers la droite, tel qu'illustré. Refermer le levier et vérifier que la pince ne glisse pas. Recommencer au besoin.

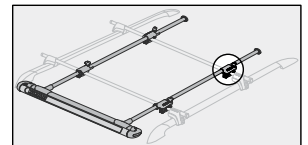


5 PRÉPARER LA PINCE AVANT, CÔTÉ PASSAGER

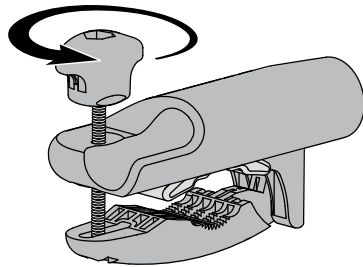
Pour certaines barres d'origine plus épaisses, il faudra peut-être employer les boulons en T longs inclus.



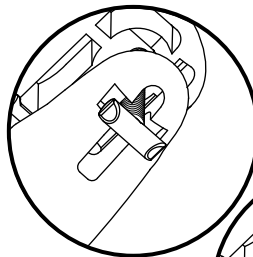
Symbole avant, côté passager.



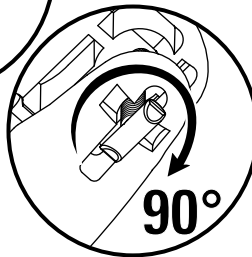
(Ne pas tenir compte du chiffre si l'on transporte un kayak.)



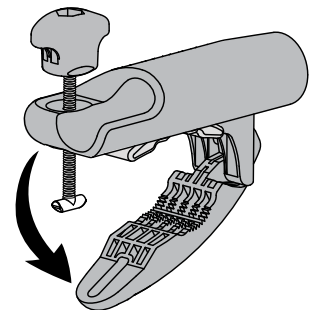
Dévisser le bouton de serrage au maximum (mais sans l'enlever).



Tourner le boulon en T.



90°



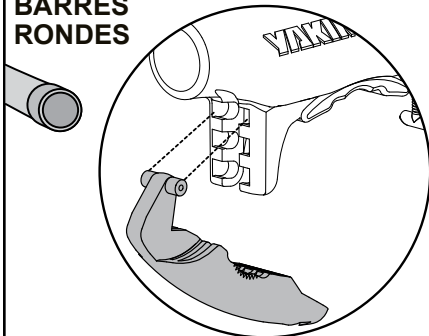
Ouvrir la pince.

6 RÉGLER LA POSITION DE LA MÂCHOIRE



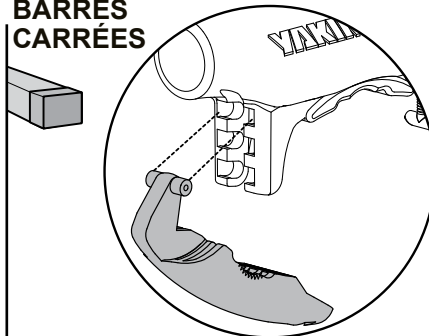
Au besoin, enlever la mâchoire de l'encoche où elle se trouve et l'emboîter dans l'encoche appropriée.

BARRES RONDES



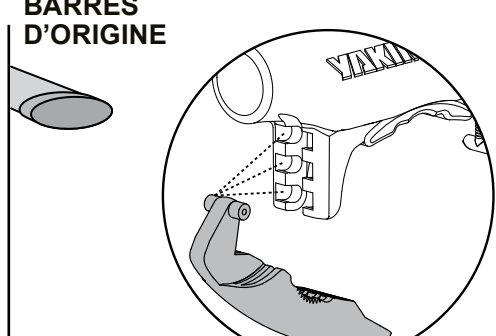
ENCOCHE DU HAUT

BARRES CARRÉES



ENCOCHE DU HAUT

BARRES D'ORIGINE

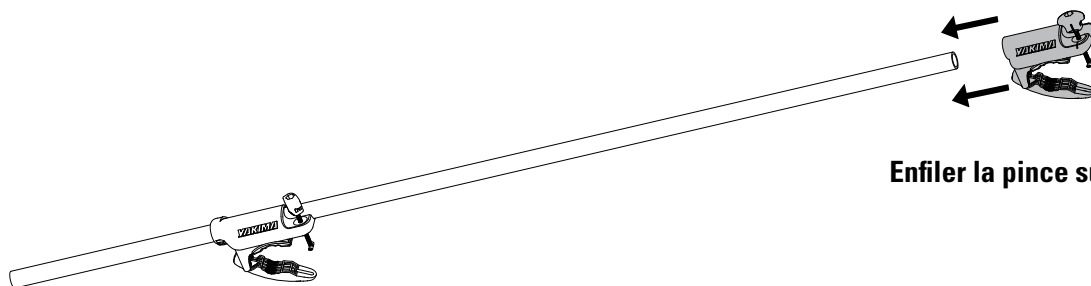
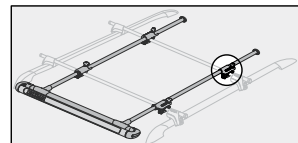


CHOISIR L'ENCOCHE OFFRANT LA MEILLEURE PRISE



Il est important de consulter la boîte du rouleau ShowBoat ou le site Yakima.com, pour connaître les montages approuvés. Pour plus de détails sur des véhicules et des barres d'origine spécifiques, voir la liste de compatibilité (Fit List) Yakima, le site Yakima.com, ou appeler le service à la clientèle au (888) 925-4621.

7 PLACER LA PINCE AVANT SUR LA BARRE COULISSANTE

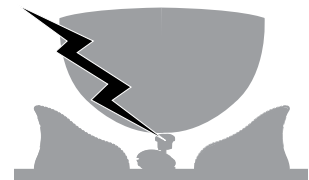


Enfiler la pince sur la barre.

8 DÉPOSER LA BARRE COULISSANTE ET LES PINCES SUR LES BARRES TRANSVERSALES (POUR TRANSPORTER PLUSIEURS EMBARCATIONS, VOIR À L'OPÉRATION 21 LES DIFFÉRENTES OPTIONS POSSIBLES)



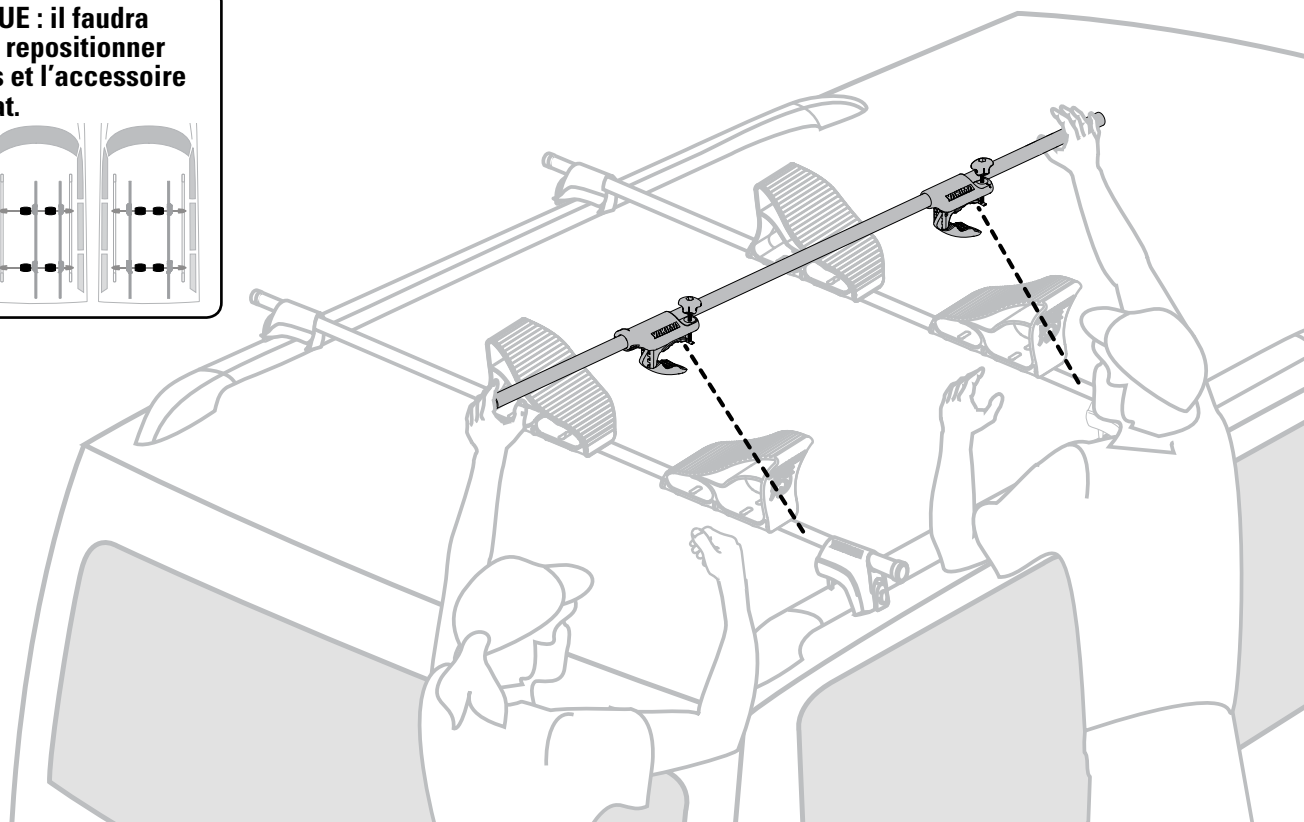
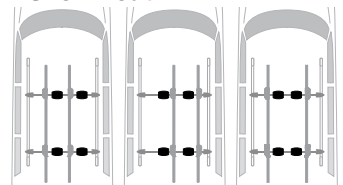
ATTENTION : risque de contact entre la coque et l'accessoire ShowBoat ! Le positionner ailleurs au besoin.



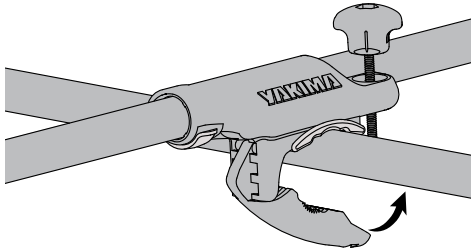
REMARQUE : si le véhicule est très haut, on pourra se faire aider par une autre personne.

Déposer la barre coulissante et les pinces sur les barres transversales en faisant attention de ne pas abîmer le véhicule. Aligner les pinces pour qu'elles portent sur les barres transversales.

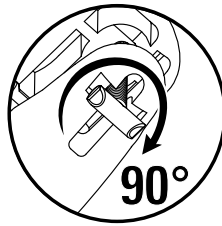
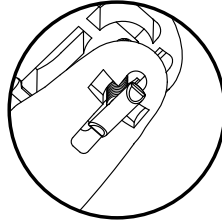
REMARQUE : il faudra peut-être repositionner les selles et l'accessoire ShowBoat.



9 FERMER ET SERRER LA PINCE ARRIÈRE (NE PAS LA SERRER COMPLÈTEMENT)

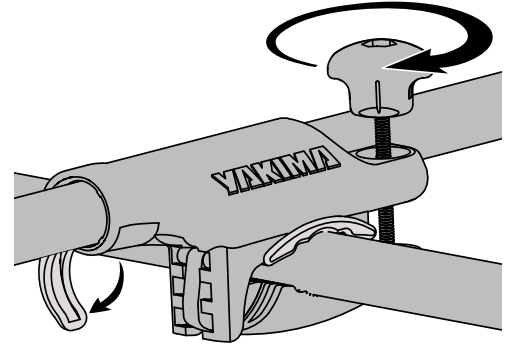


Fermer la pince arrière sur la barre transversale.



Passer le boulon en T à travers la mâchoire et le tourner de 90° pour qu'il s'engage dans la fente.

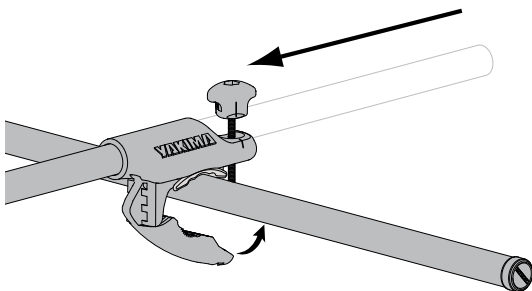
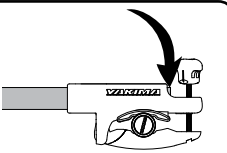
Serrer le bouton juste assez pour tenir la pince en place.



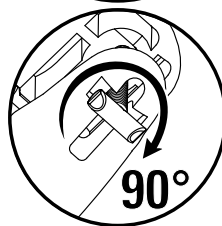
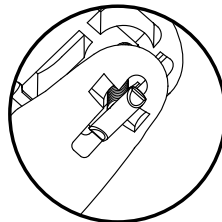
Ouvrir le levier rouge avant de passer à l'opération suivante.

10 FERMER ET SERRER LA PINCE AVANT (NE PAS LA SERRER COMPLÈTEMENT)

Glisser la barre coulissante vers l'arrière, au-delà du bouton de serrage.

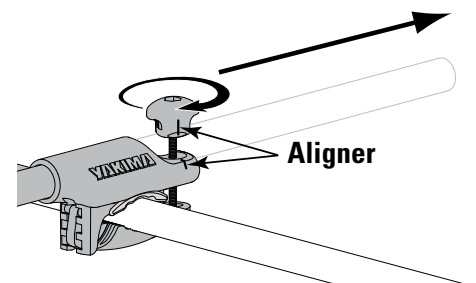


Fermer la pince avant sur la barre transversale.



Passer le boulon en T à travers la mâchoire et le tourner de 90° pour qu'il s'engage dans la fente.

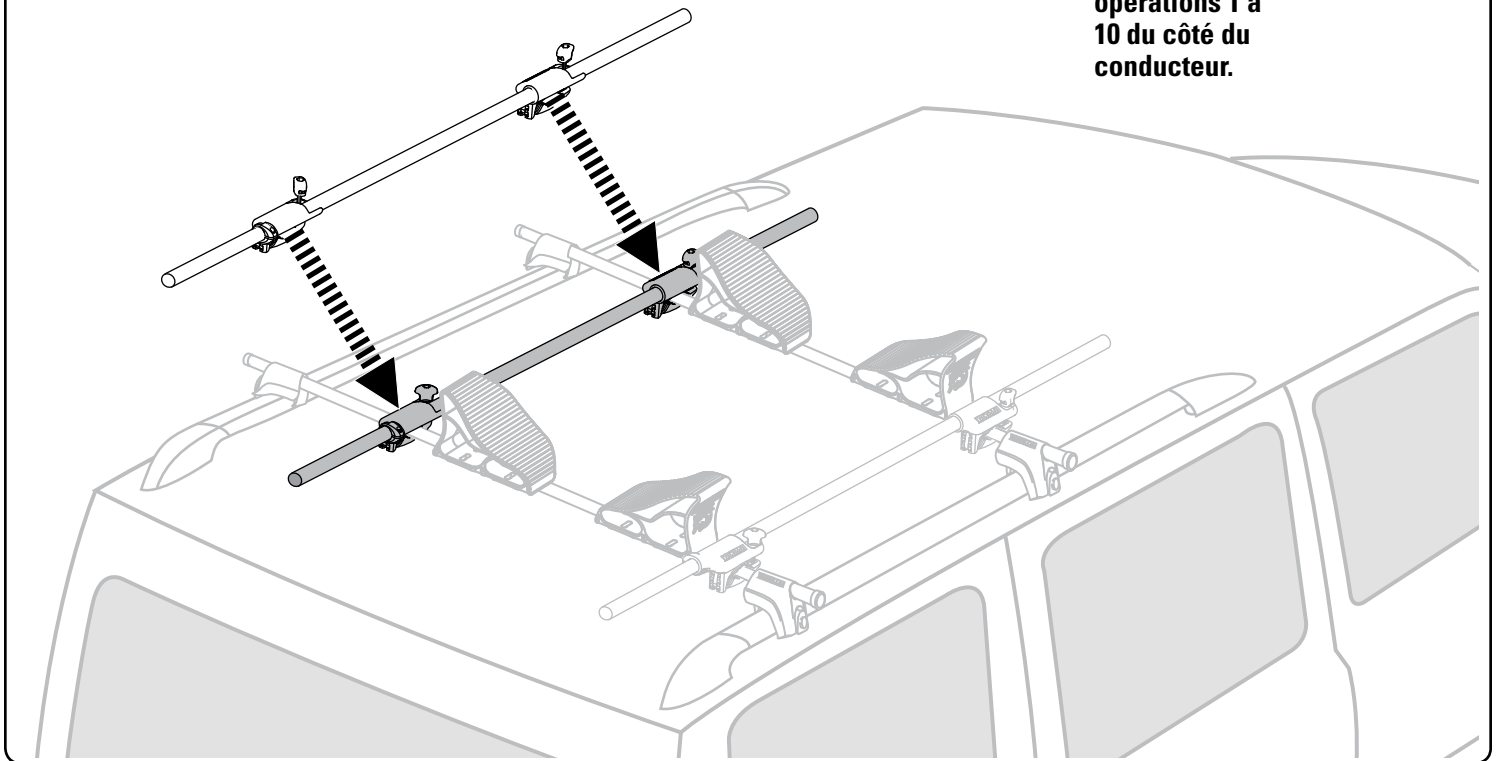
Serrer le bouton. Aligner les repères sur la pince et le bouton.



Ensuite, glisser la barre coulissante vers l'avant.

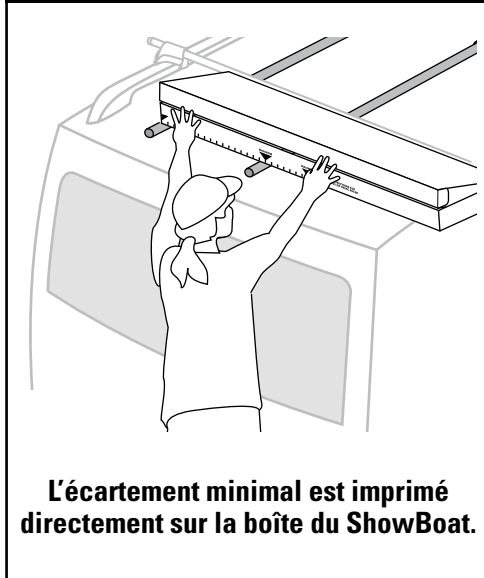
11 POSER LA BARRE COULISSANTE ET LES PINCES DU CÔTÉ CONDUCTEUR

Répéter les opérations 1 à 10 du côté du conducteur.



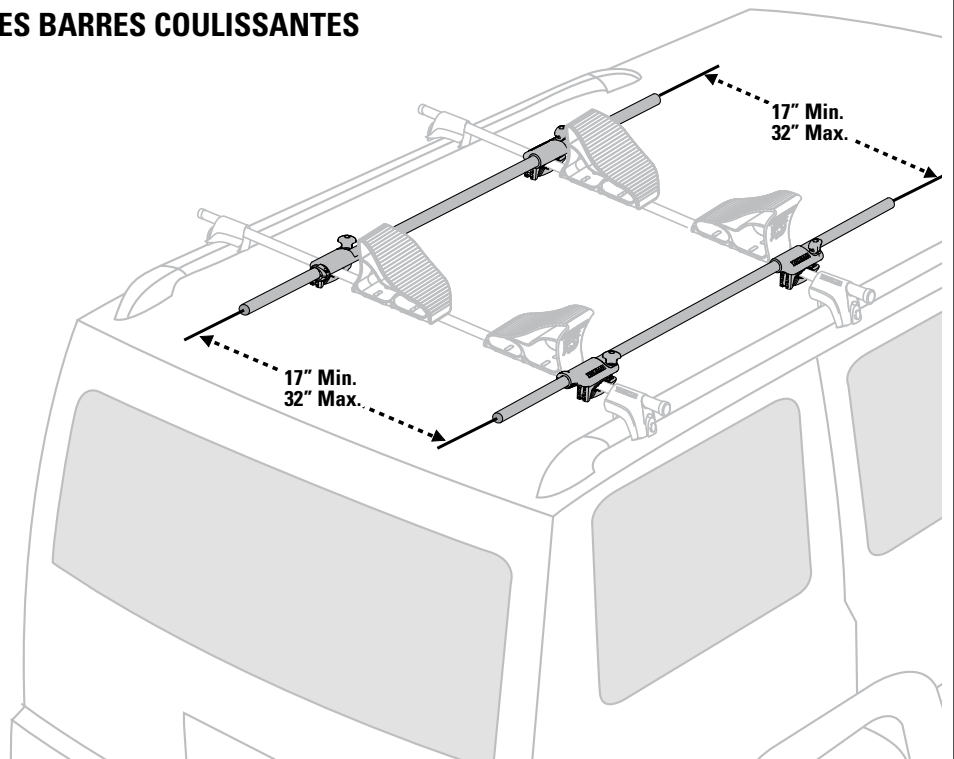
12 RÉGLER L'ÉCARTEMENT ENTRE LES BARRES COULISSANTES

CONSEIL POUR MESURER :



L'écartement minimal est imprimé directement sur la boîte du ShowBoat.

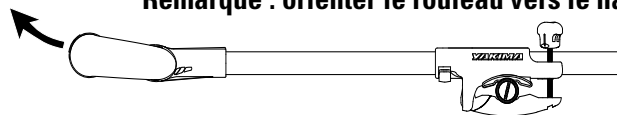
S'assurer que la distance entre la barre coulissante gauche et la droite est la même à l'avant et à l'arrière du véhicule.



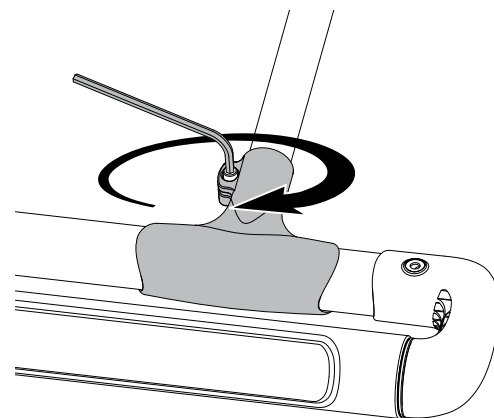
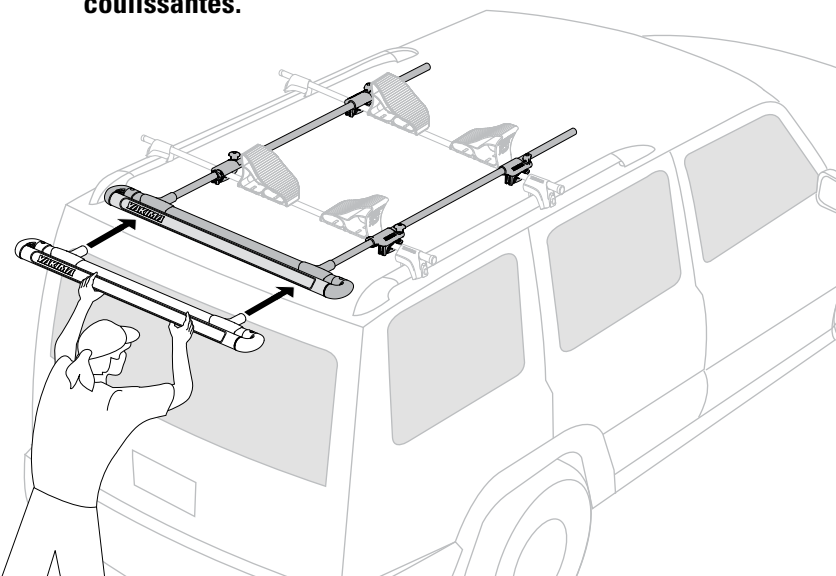
ÉCARTEMENT MINIMAL : 43 cm (17 po)
ÉCARTEMENT MAXIMAL : 81 cm (32 po)

13 POSER LE ROULEAU

Remarque : orienter le rouleau vers le haut.



Avec les leviers rouges en position fermée, enfiler le rouleau sur les barres coulissantes.



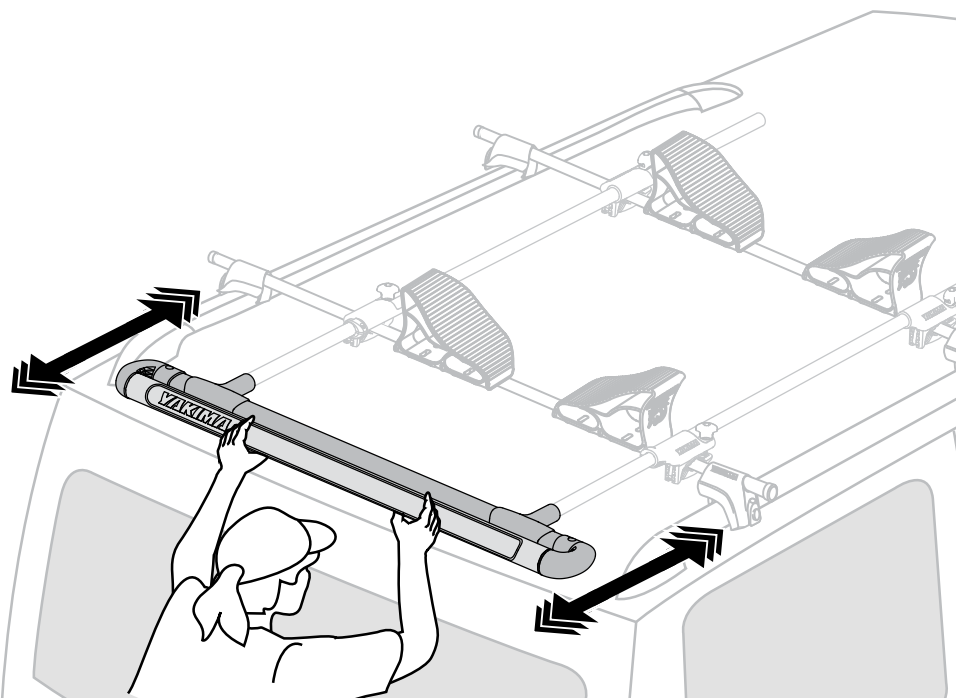
Employer la clé fournie pour serrer les boulons de chaque côté.



S'assurer que la barre coulissante est enfoncée à fond dans le raccord en T avant de serrer.

14 ALIGNER LES BARRES COULISSANTES

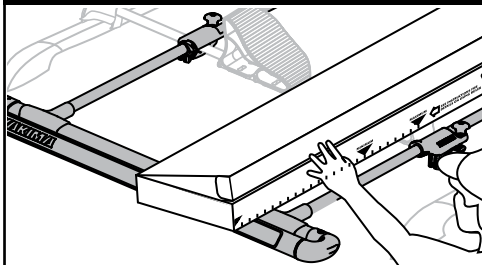
Ouvrir les deux leviers rouges. Faire glisser le rouleau et les barres coulissantes d'en avant en arrière pour vérifier qu'ils couissent en douceur. Cela aidera à aligner les barres.



Une fois les barres alignées, serrer les pinces avant complètement, en appliquant une bonne pression. S'assurer d'aligner les repères des boutons avant avec ceux des pinces. Serrer ensuite les pinces arrière en appliquant une bonne pression.

15 RÉGLER L'EXTENSION MAXIMALE

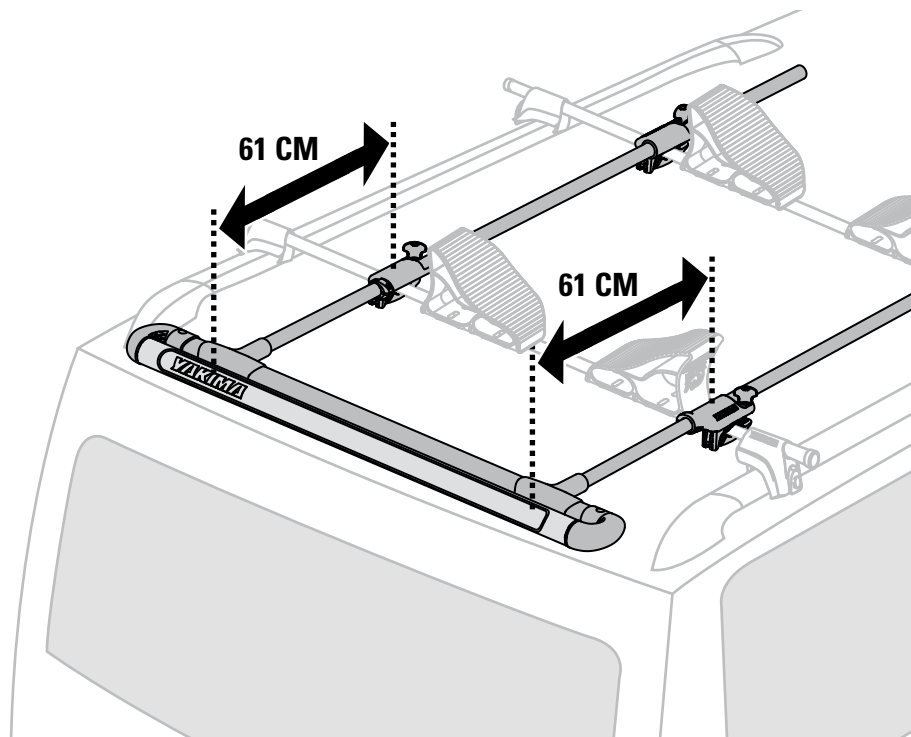
CONSEIL POUR MESURER :



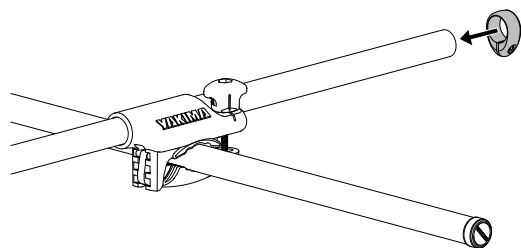
La distance maximale pour des barres de 168 cm (66 po) avec une embarcation de 36 kg (80 lb) est imprimée directement sur la boîte du ShowBoat.

Régler la distance entre le centre du rouleau et le centre de la barre transversale arrière à 61 cm (24 po).

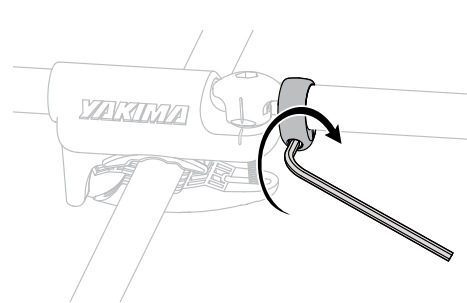
Fermer les leviers rouges.



16 POSER LE COLLIER DE BUTÉE



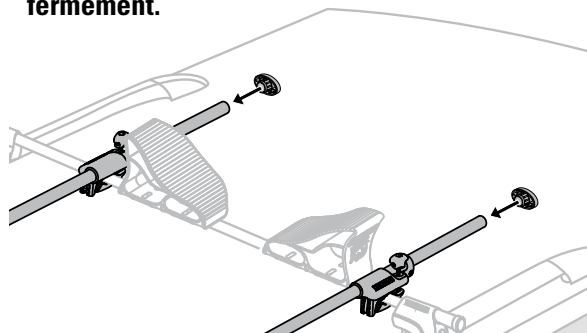
Enfiler le collier de butée sur la barre coulissante côté passager.



Employer la clé fournie pour serrer le boulon.

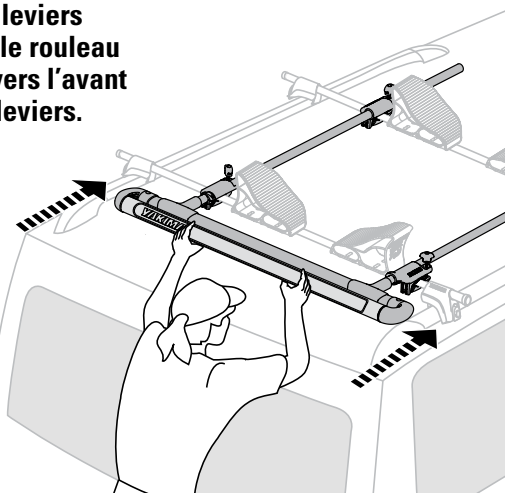
17 POSER LES BOUCHONS D'EXTRÉMITÉ

Les enfoncer dans le bout des barres en appuyant fermement.



18 TOUJOURS BLOQUER LE ROULEAU AVANT DE PRENDRE LA ROUTE

Ouvrir les deux leviers rouges. Glisser le rouleau complètement vers l'avant et refermer les leviers.



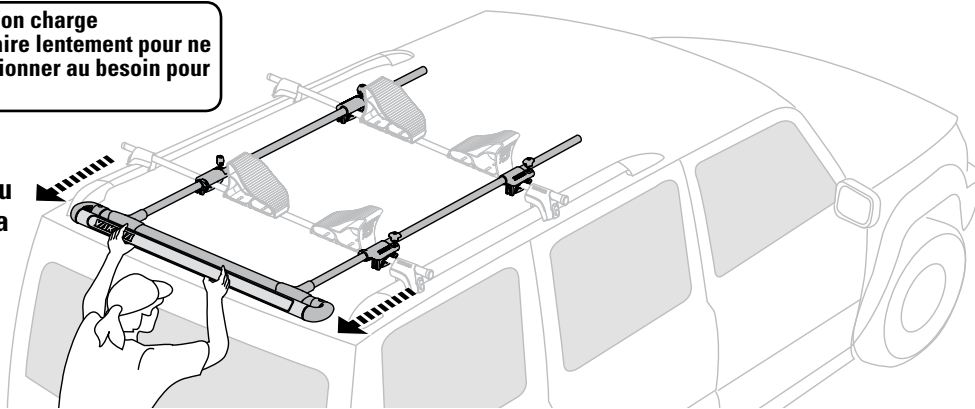
CHARGEMENT DES EMBARCATIONS

19

REMARQUE : la première fois que l'on charge l'embarcation, prendre soin de le faire lentement pour ne pas endommager la coque. Repositionner au besoin pour éviter le contact.

Ouvrir les deux leviers rouges. En tenant par le centre, glisser le rouleau complètement vers l'arrière jusqu'à la butée. Refermer les leviers.

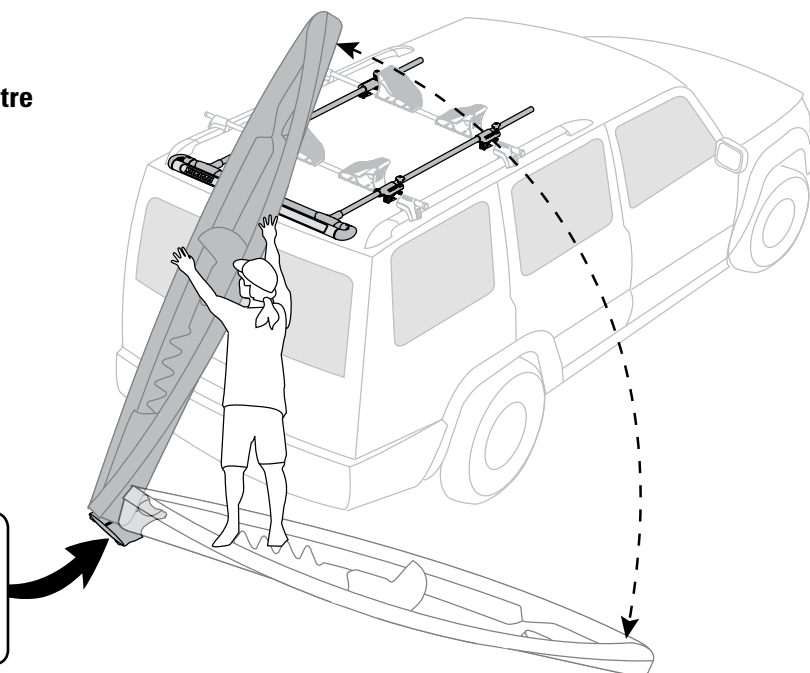
REMARQUE : si le rouleau ne coulisse pas facilement, réaligner les pinces (opération 14).



Appuyer l'embarcation contre le rouleau, sans qu'elle ne touche au véhicule.

REMARQUE : toujours garder une main sur l'embarcation lors du chargement.

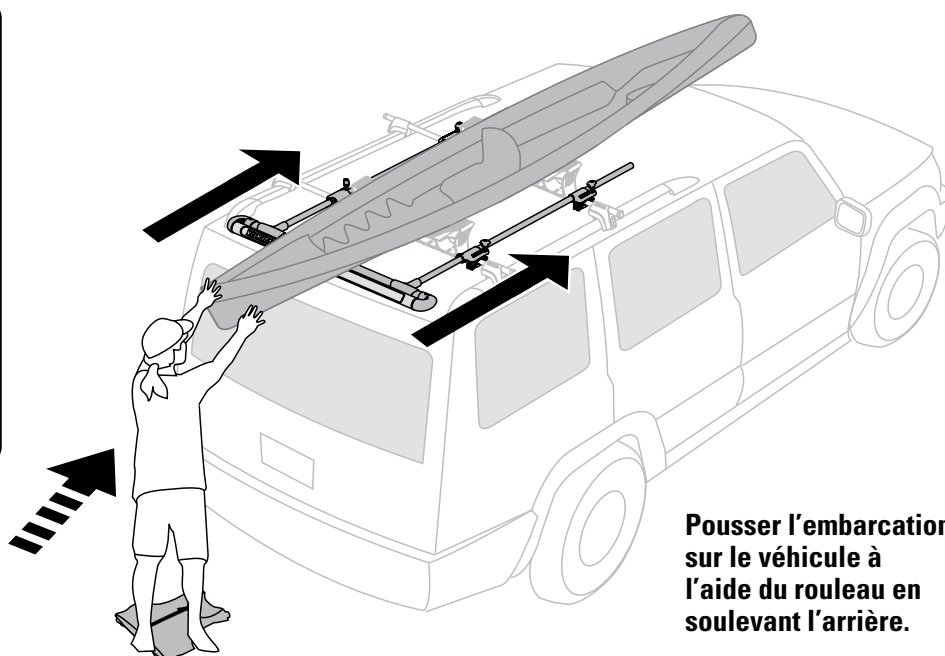
CONSEIL : pour protéger le fini de l'embarcation, on peut en appuyer la pointe sur un gilet de sauvetage.



ATTENTION : risque de contact entre la coque et l'accessoire ShowBoat !



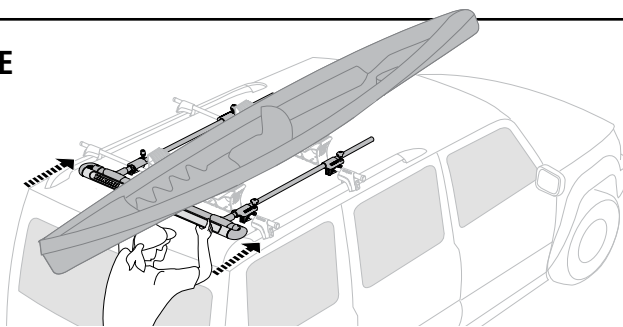
Pour gagner en dégagement, on peut réaliser le montage pour canot, mais en installant le rouleau orienté vers le haut.



Pousser l'embarcation sur le véhicule à l'aide du rouleau en soulevant l'arrière.

20 TOUJOURS BLOQUER LE ROULEAU AVANT DE PRENDRE LA ROUTE

Ouvrir les deux leviers rouges. Glisser le rouleau complètement vers l'avant et refermer les leviers.

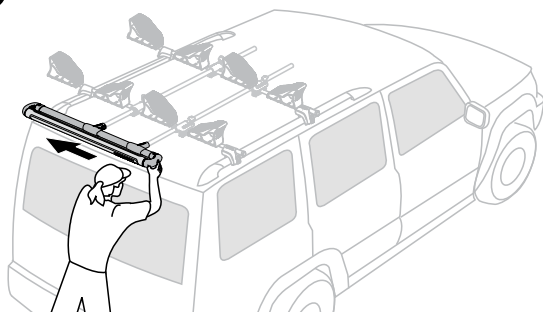


Toujours attacher l'embarcation au porte-bagages et le bout des charges longues à l'avant et à l'arrière du véhicule, sous peine de risquer de provoquer des dommages, des blessures ou même la mort. Les instructions accompagnant le porte-embarcation indiquent comment procéder.

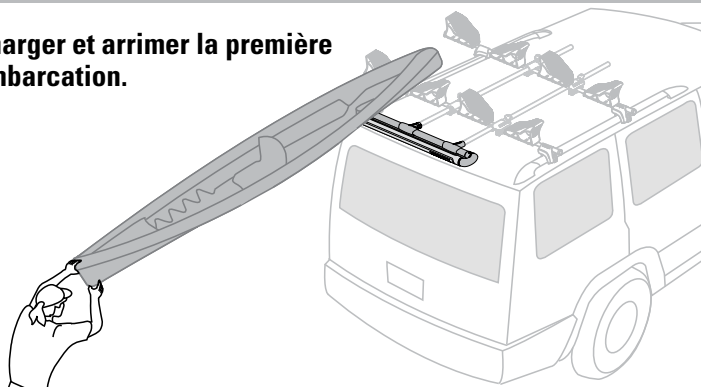
CHARGEMENT DE PLUSIEURS EMBARCATIONS

21

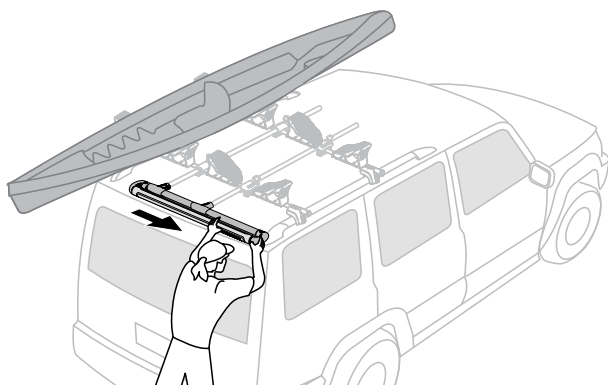
Faire glisser le rouleau d'un côté.



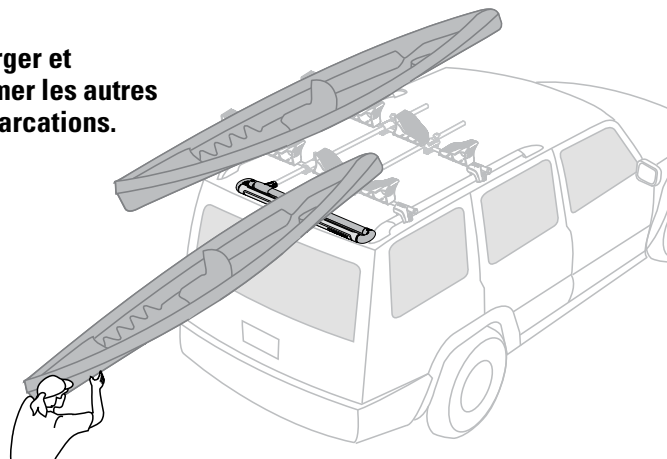
Charger et arrimer la première embarcation.



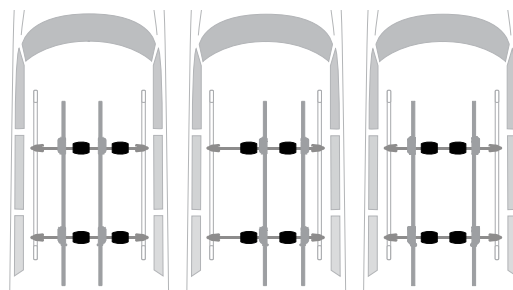
Faire glisser le rouleau de l'autre côté.



Charger et arrimer les autres embarcations.



REMARQUE : il faudra peut-être repositionner les selles et le ShowBoat.



IMPORTANT !

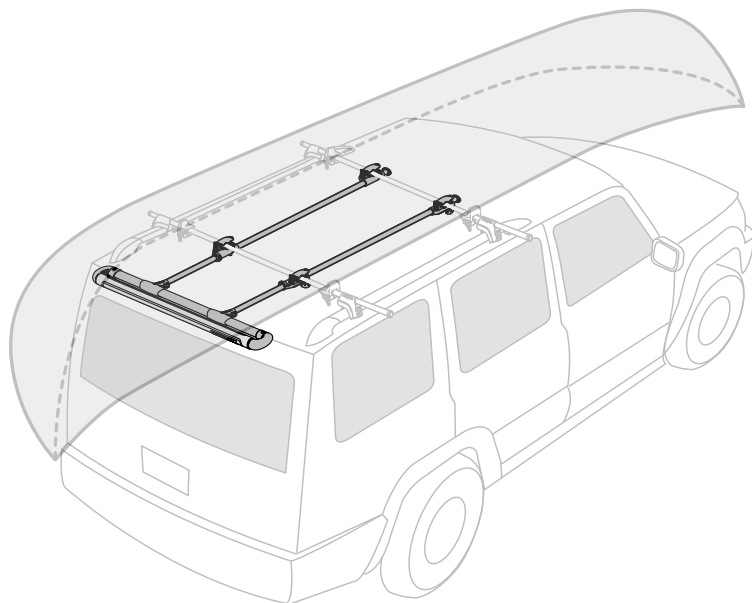


LIRE TOUTS LES AVIS ET LES AVERTISSEMENTS IMPORTANTS VISANT CE PRODUIT EN PAGES 19 ET 20.

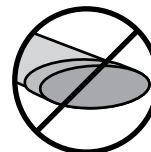


Toujours attacher l'embarcation au porte-bagages et le bout des charges longues à l'avant et à l'arrière du véhicule, sous peine de risquer de provoquer des dommages, des blessures ou même la mort. Les instructions accompagnant le porte-embarcation indiquent comment procéder.

MONTAGE POUR CANOT

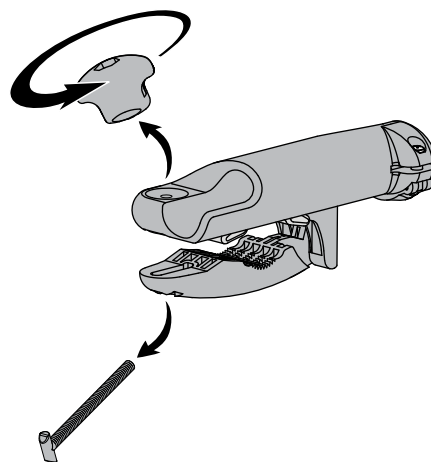


**ATTENTION : LE MONTAGE
POUR CANOT N'EST PAS
RECOMMANDÉ SUR LES
BARRES TRANSVERSALES
D'ORIGINE !**



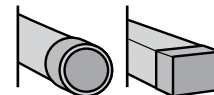
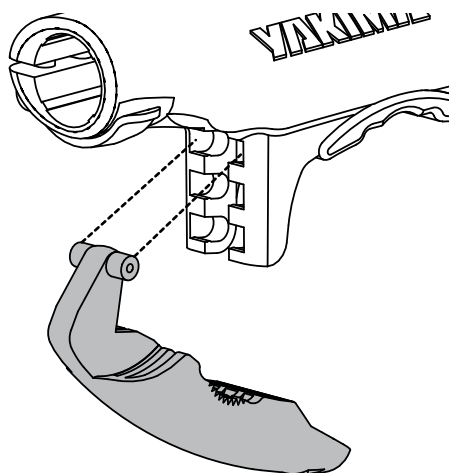
22 PRÉPARER LES PINCES

**Enlever le bouton de serrage et le boulon
en T de chacune des quatre pinces.**



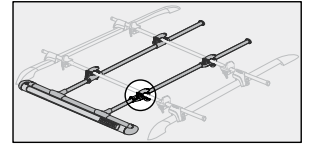
23 RÉGLER LA POSITION DE LA MÂCHOIRE

**Au besoin, enlever la mâchoire
de l'encoche où elle se trouve et
l'emboîter dans l'encoche du haut.**

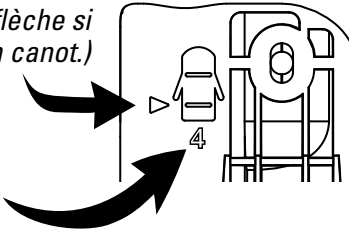


**BARRES
RONDES ET CARRÉES**

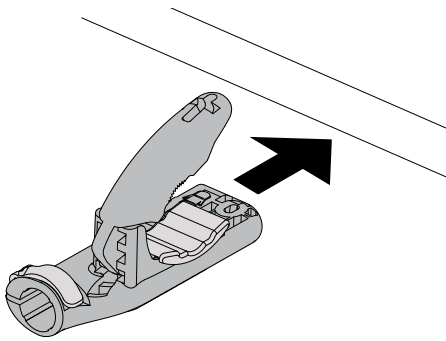
24 INSTALLER LA PINCE ARRIÈRE, CÔTÉ PASSAGER
(NE PAS LA SERRER COMPLÈTEMENT)



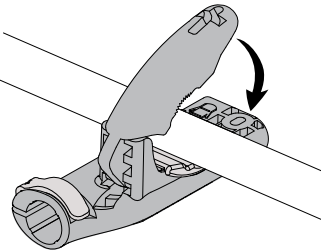
(Ne pas tenir compte de la flèche si l'on transporte un canot.)



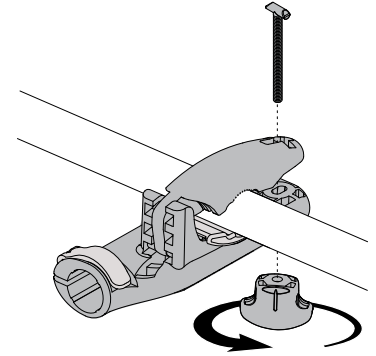
La pince arrière, côté passager, se reconnaît au chiffre qu'elle porte en-dessous : il s'agit du "4".



Ouvrir la pince et la mettre en place sur la barre transversale.

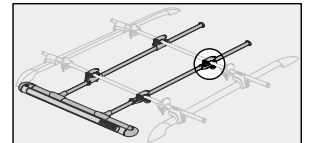


Fermer la pince.

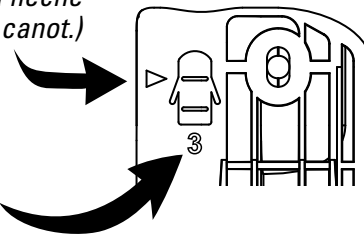


Enfiler le boulon en T et serrer le bouton, mais seulement juste assez pour tenir la pince en place.

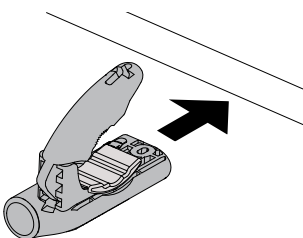
25 INSTALLER LA PINCE AVANT, CÔTÉ PASSAGER
(NE PAS LA SERRER COMPLÈTEMENT)



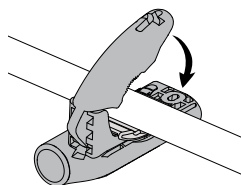
(Ne pas tenir compte de la flèche si l'on transporte un canot.)



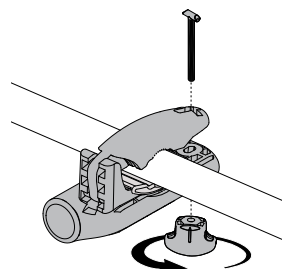
La pince avant, côté passager, se reconnaît au chiffre qu'elle porte en-dessous : il s'agit du "3".



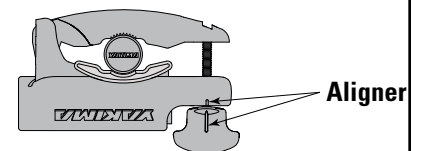
Ouvrir la pince et la mettre en place sur la barre transversale.



Fermer la pince.



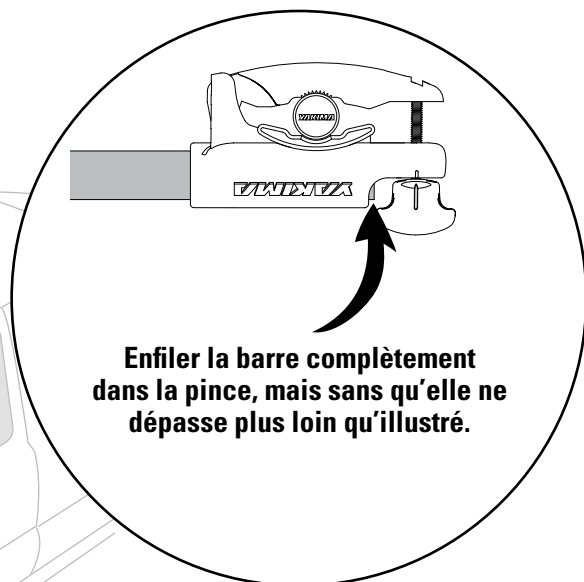
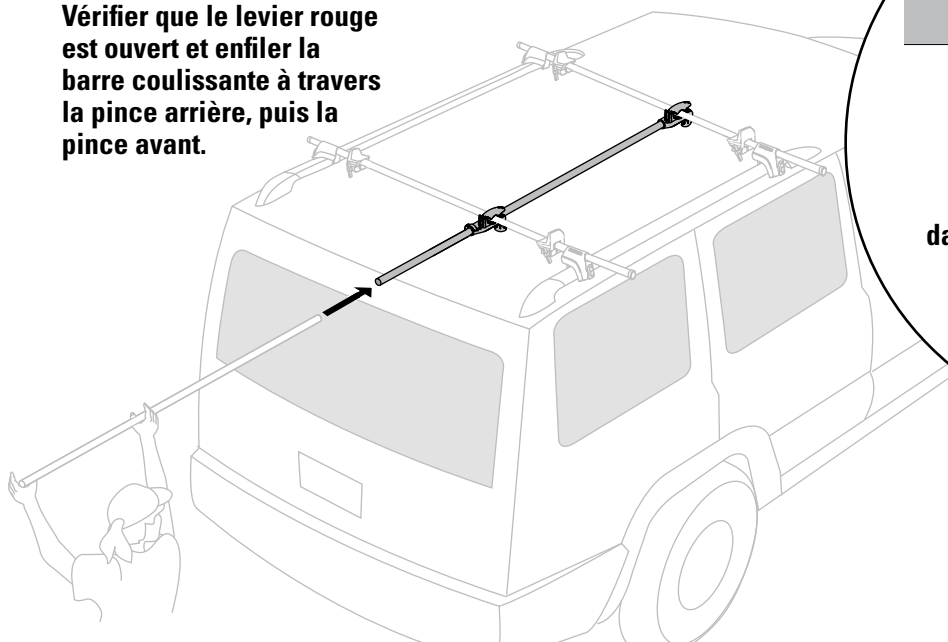
Enfiler le boulon en T et serrer le bouton, mais seulement juste assez pour tenir la pince en place.



Aligner les repères sur la pince et le bouton.

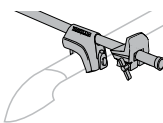
26 ENFILER LA BARRE COULISSANTE

Vérifier que le levier rouge est ouvert et enfilez la barre coulissante à travers la pince arrière, puis la pince avant.

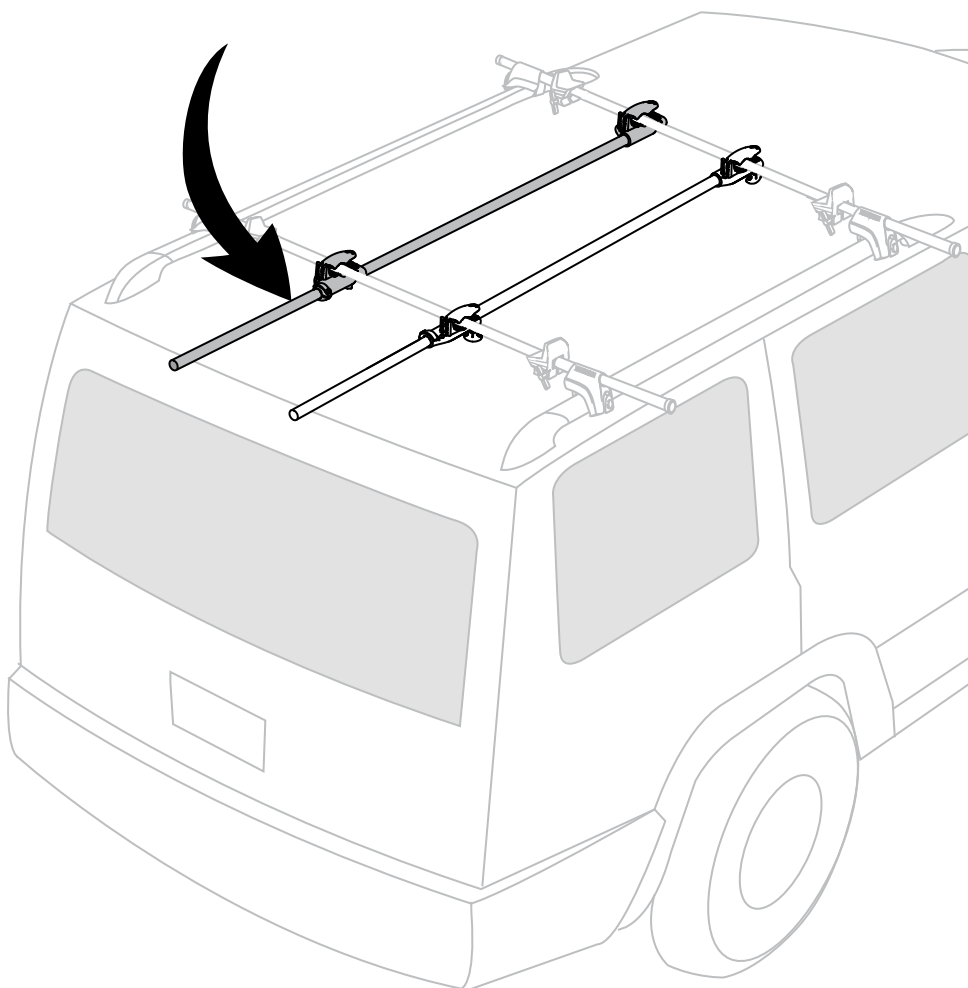


Enfilez la barre complètement dans la pince, mais sans qu'elle ne dépasse plus loin qu'illustré.

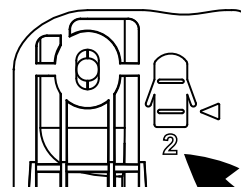
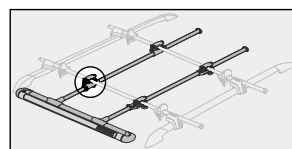
REMARQUE : on peut placer les butées Gunwale à l'extérieur des pieds.



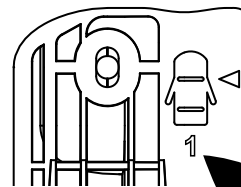
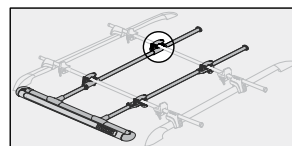
27 Poser les pinces et la barre du côté conducteur de la même façon que du côté passager.



La pince arrière, côté conducteur, porte le numéro "2".

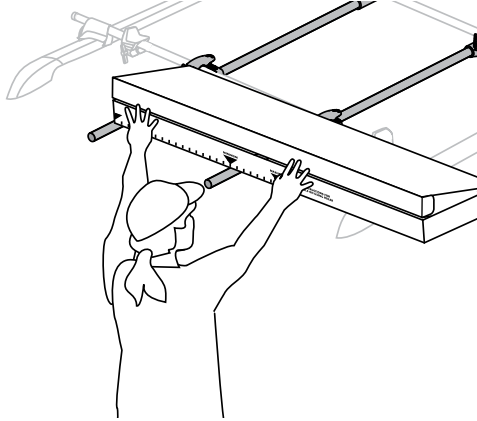


La pince avant, côté conducteur, porte le numéro "1".

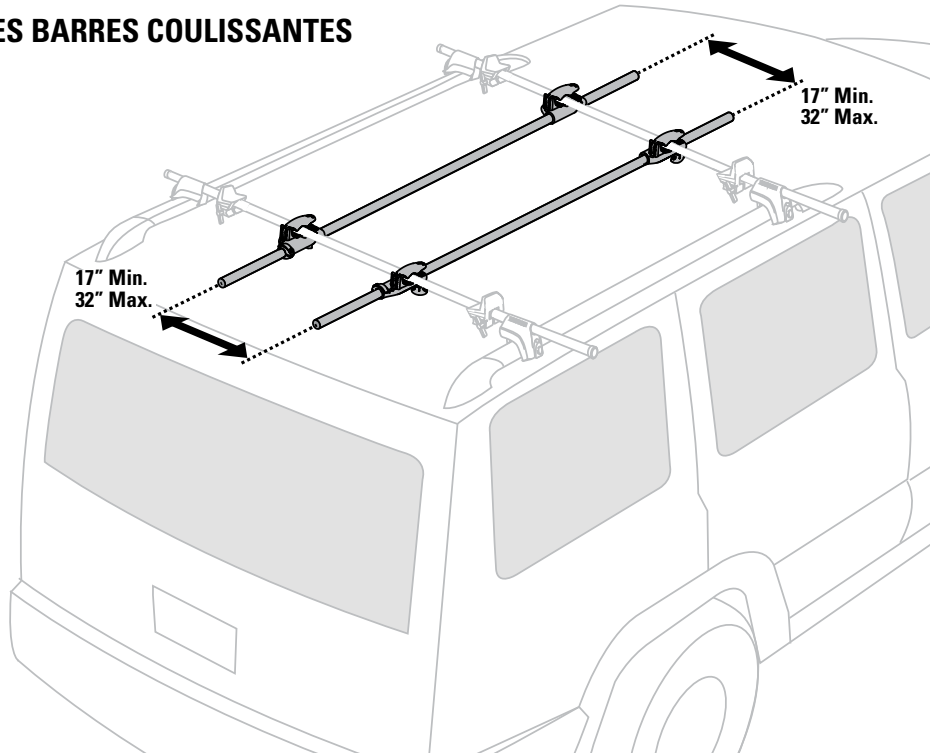


28 RÉGLER L'ÉCARTEMENT ENTRE LES BARRES COULISSANTES

CONSEIL POUR MESURER :



L'écartement minimal est imprimé directement sur la boîte du ShowBoat.



S'assurer que la distance entre la barre coulissante gauche et la droite est la même à l'avant et à l'arrière du véhicule.

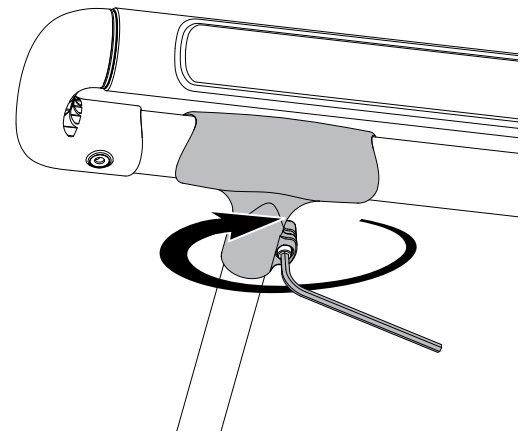
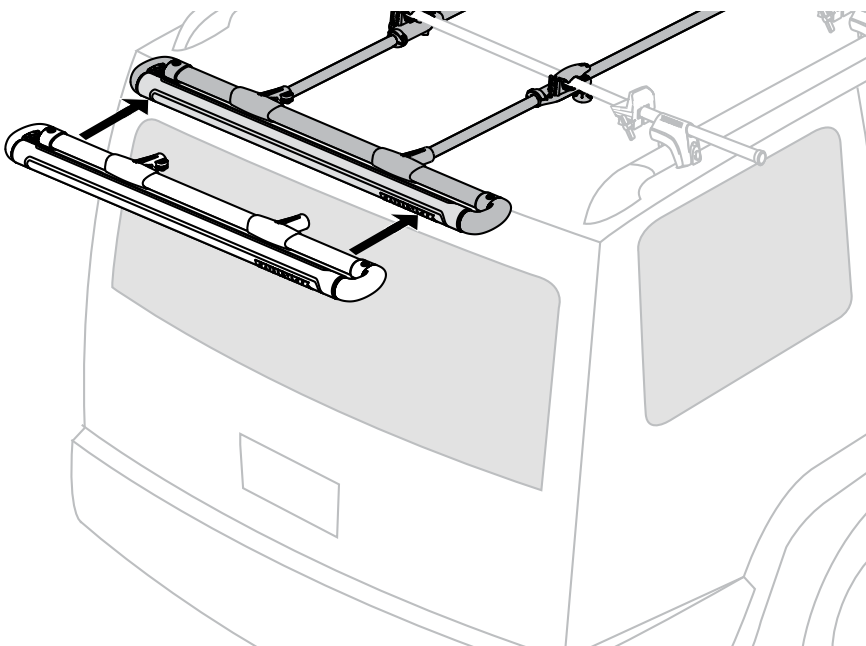


ÉCARTEMENT MINIMAL : 43 cm (17 po)
ÉCARTEMENT MAXIMAL : 81 cm (32 po)

29 POSER LE ROULEAU

Avec les leviers rouges en position fermée, enfiler le rouleau sur les barres coulissantes.

Remarque : pour un canot, orienter le rouleau vers le bas.



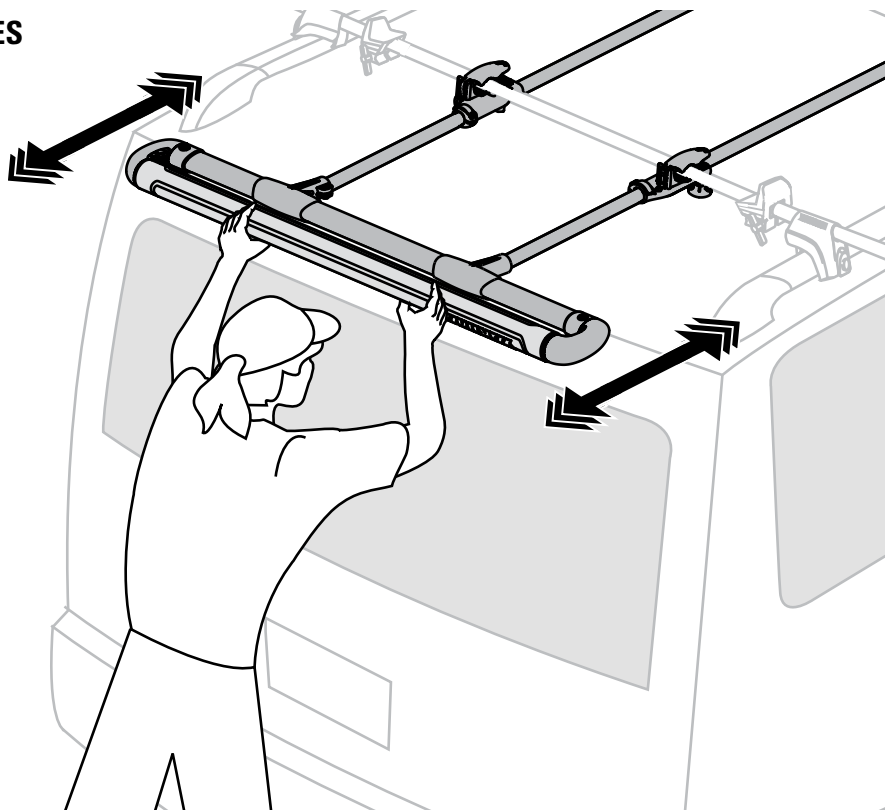
Employer la clé fournie pour serrer le boulon de chaque côté du rouleau.



S'assurer que la barre coulissante est enfoncée à fond dans le raccord en T avant de serrer.

30 ALIGNER LES BARRES COULISSANTES

Ouvrir les deux leviers rouges. Faire glisser le rouleau et les barres coulissantes d'en avant en arrière pour vérifier qu'ils coulisent en douceur. Cela aidera à aligner les barres.



Une fois les barres alignées, serrer les pinces avant complètement, en appliquant une bonne pression. S'assurer d'aligner les repères des boutons avant avec ceux des pinces (voir l'opération 10). Les barres ne doivent pas toucher aux boutons. Serrer ensuite les pinces arrière en appliquant une bonne pression.

31 RÉGLER L'EXTENSION MAXIMALE

CONSEIL POUR MESURER :

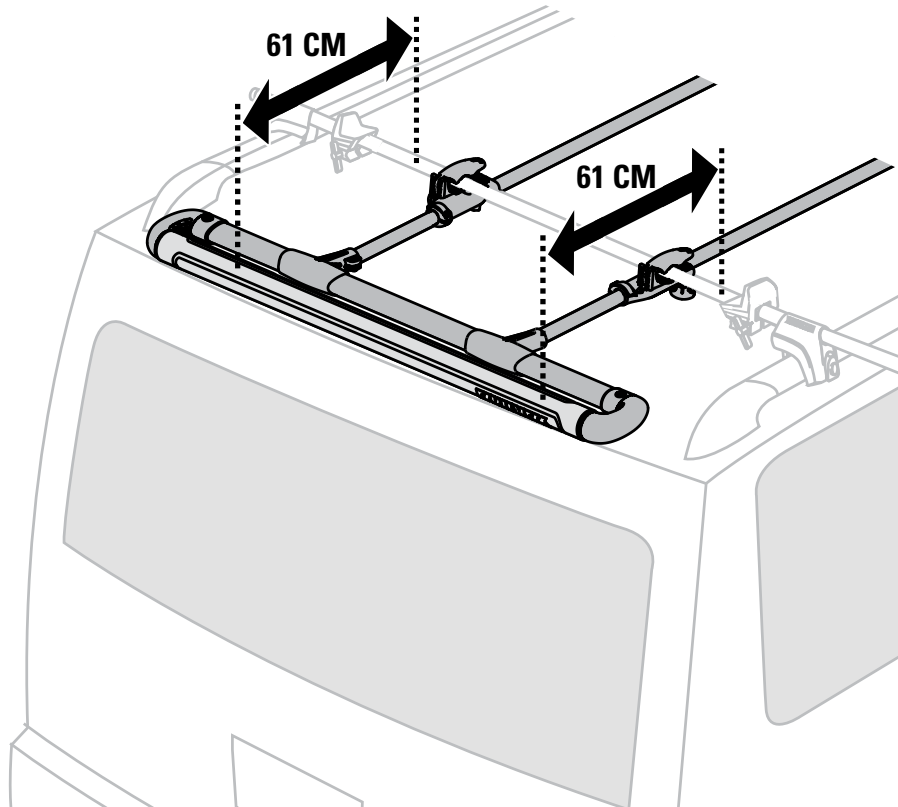


La distance maximale est imprimée directement sur la boîte du ShowBoat.

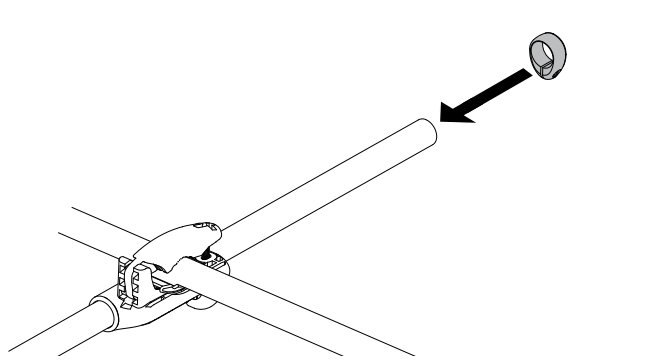
Voir le tableau figurant avant l'opération 1 pour déterminer l'extension maximale du rouleau.

Régler la distance entre le centre du rouleau et le centre de la barre transversale arrière à 61 cm (24 po).

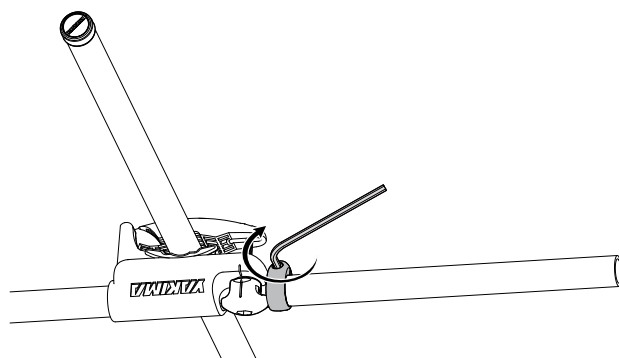
Fermer les leviers rouges.



32 POSER LE COLLIER DE BUTÉE

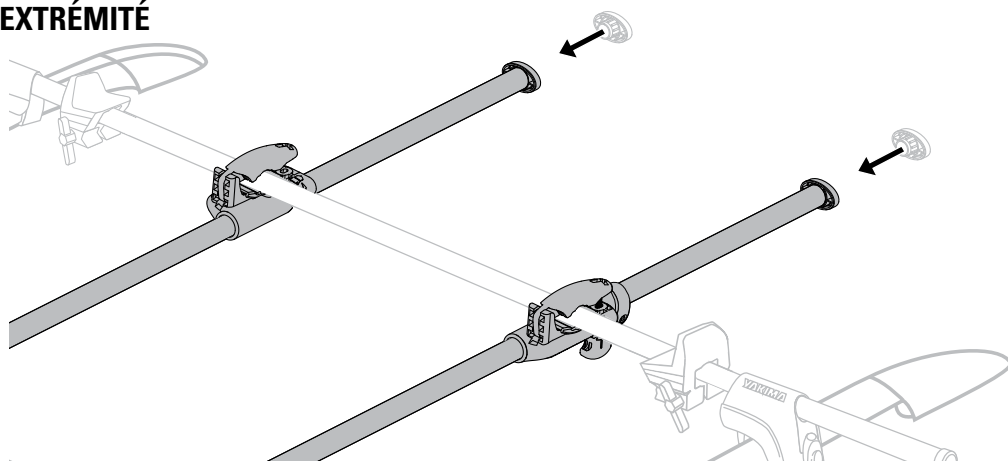


Enfiler le collier de butée sur la barre coulissante côté passager jusqu'à l'appuyer contre la pince.



Employer la clé fournie pour serrer le boulon.

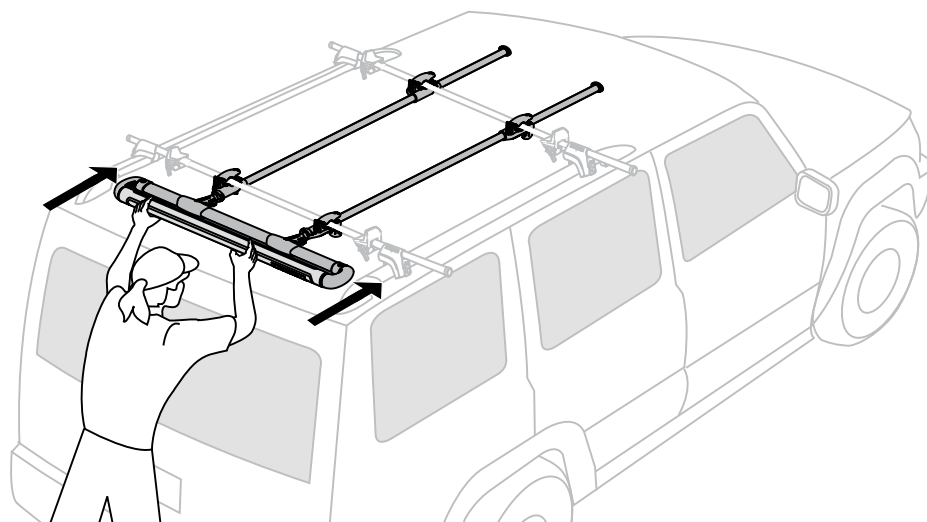
33 POSER LES BOUCHONS D'EXTRÉMITÉ



Les enfoncer dans le bout des barres en appuyant fermement.

34 TOUJOURS BLOQUER LE ROULEAU AVANT DE PRENDRE LA ROUTE

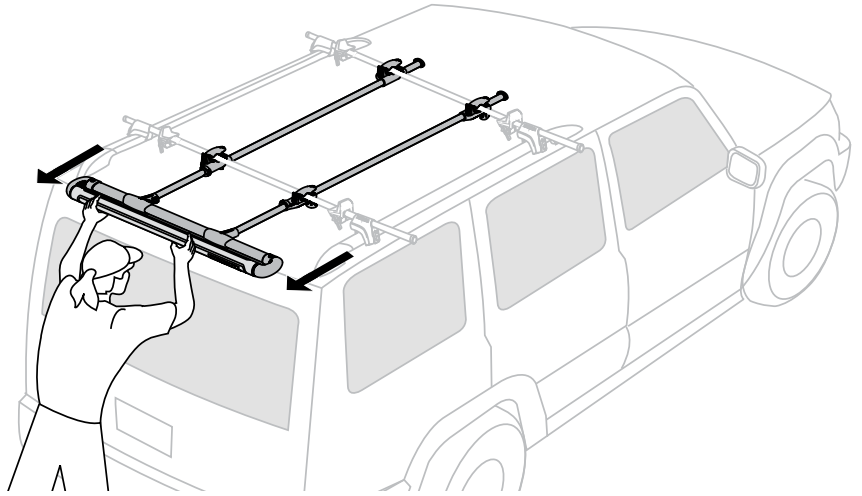
Ouvrir les deux leviers rouges. Glisser le rouleau complètement vers l'avant et refermer les leviers.



35 CHARGEMENT DU CANOT

Ouvrir les deux leviers rouges. Glisser le rouleau complètement vers l'arrière jusqu'à la butée. Refermer les leviers.

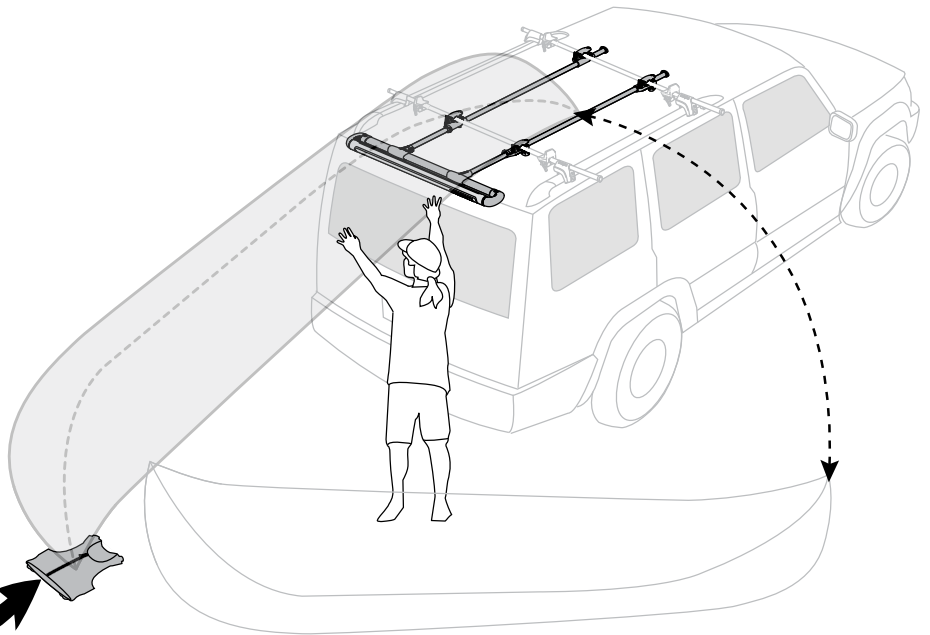
REMARQUE : si le rouleau ne coulisse pas facilement, réaligner les pinces (opération 30).




Appuyer le canot contre le rouleau, sans qu'il ne touche au véhicule.

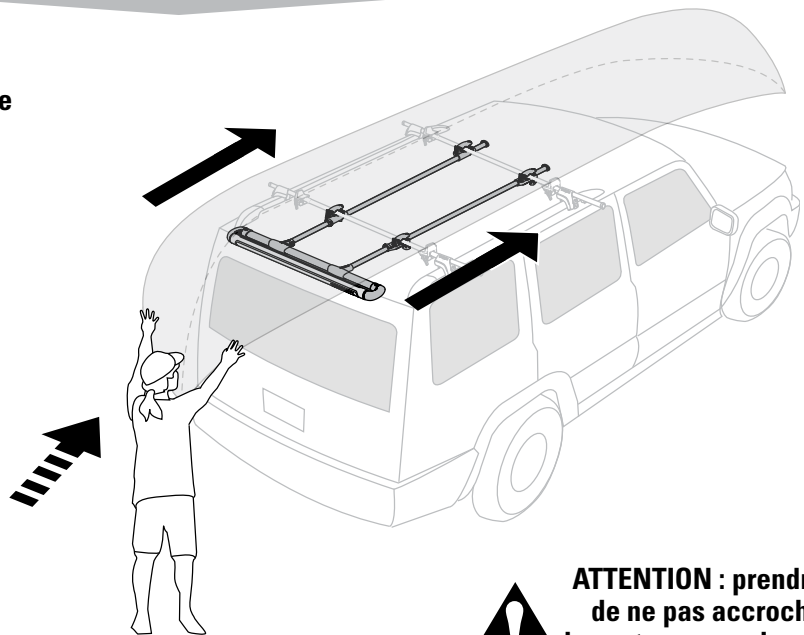
REMARQUE : toujours garder une main sur l'embarcation lors du chargement.

CONSEIL : pour protéger le fini de l'embarcation, on peut en appuyer la pointe sur un gilet de sauvetage.



Pousser le canot sur le véhicule à l'aide du rouleau en soulevant l'arrière.

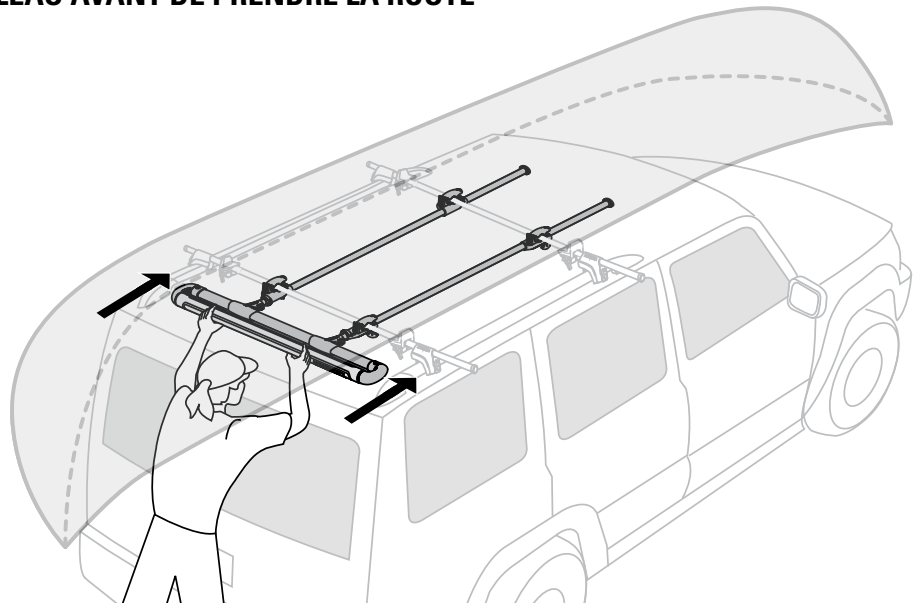

Il est possible que les pinces ou les mâchoires des pinces du ShowBoat, les butées Gunwale ou d'autres accessoires accrochent : charger le canot avec prudence.



ATTENTION : prendre soin de ne pas accrocher la barre transversale avant au moment du chargement.

36 TOUJOURS BLOQUER LE ROULEAU AVANT DE PRENDRE LA ROUTE

Ouvrir les deux leviers rouges.
Glisser le rouleau complètement
vers l'avant et refermer les leviers.

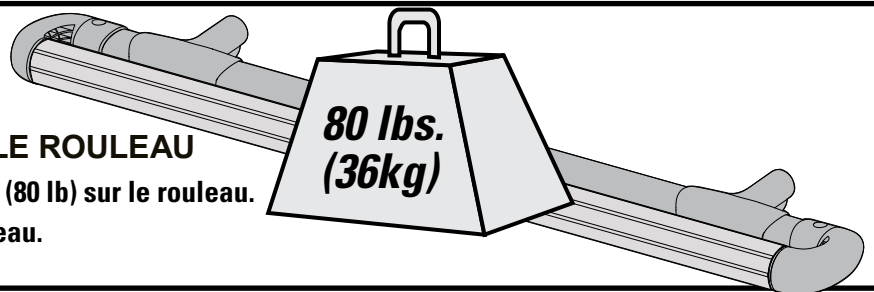


Toujours attacher l'embarcation au porte-bagages et le bout des charges longues à l'avant et à l'arrière du véhicule, sous peine de risquer de provoquer des dommages, des blessures ou même la mort. Les instructions accompagnant le porte-embarcation indiquent comment procéder.

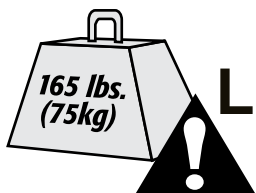


LIMITE DE CHARGE SUR LE ROULEAU

- Ne jamais charger plus de 36 kg (80 lb) sur le rouleau.
- Ne jamais se suspendre au rouleau.



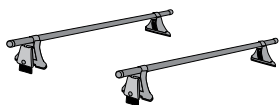
LIRE LES AVERTISSEMENTS IMPORTANTS FIGURANT DANS
LES INSTRUCTIONS ACCOMPAGNANT L'ACCESSOIRE.



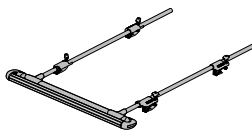
LIMITES DE POIDS

Respecter les limites de poids figurant
dans la liste de compatibilité (Fit List)
YAKIMA ou sur le site Yakima.com.

PORTE-
BAGAGES



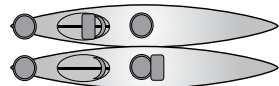
CE PRODUIT
(8,6 KG / 19 LB)



TOUT
ACCESSOIRE



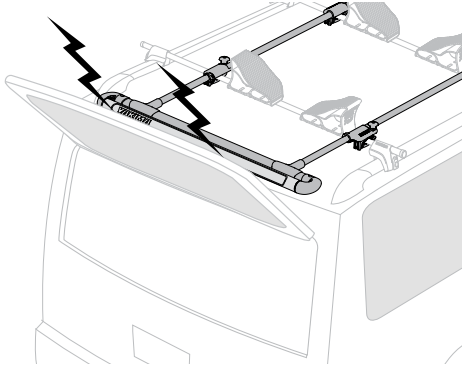
Pas plus de 75 kg
(165 lb), à moins
d'indication contraire.



CHARGEMENT

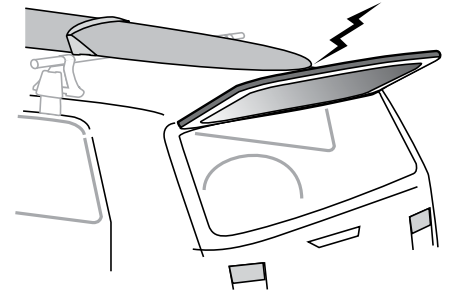
SI ON ENLÈVE LE PORTE-BAGAGES, SUIVRE LES INSTRUCTIONS POUR LE REMETTRE EN PLACE
EFFECTUER LES VÉRIFICATIONS DE SÉCURITÉ INDIQUÉES DANS LES INSTRUCTIONS ACCOMPAGNANT L'ACCESSOIRE LORS DE CHAQUE REMONTAGE.

HAYON



L'accessoire ShowBoat peut empêcher d'ouvrir le hayon complètement.

Certaines charges longues pourraient empêcher d'ouvrir le hayon complètement..



OUVRIRE LE HAYON AVEC PRUDENCE.

ANTENNE

Il faudra peut-être enlever l'antenne du toit si elle gêne les charges longues.



ATTENTION : S'ASSURER QUE LE MONTAGE EST SOLIDE ET CONFORME AUX INSTRUCTIONS. LES DISPOSITIFS DE FIXATION PEUVENT SE DESSERRER À LA LONGUE. LES INSPECTER AVANT CHAQUE UTILISATION ET LES RESSERRER AU BESOIN.

ENTRETIEN : lubrifier les vis avec un lubrifiant non soluble à l'eau. Nettoyer les pièces en plastique avec un chiffon, de l'eau et un savon doux.

ENLEVER L'ACCESSOIRE AVANT DE PASSER DANS UN LAVE-AUTO AUTOMATIQUE.

RENSEIGNEMENTS TECHNIQUES OU PIÈCES DE RECHANGE, prière de contacter votre dépositaire, de consulter le site yakima.com ou d'appeler au (888) 925-4621, du lundi au vendredi entre 7h et 17h, heure du Pacifique.

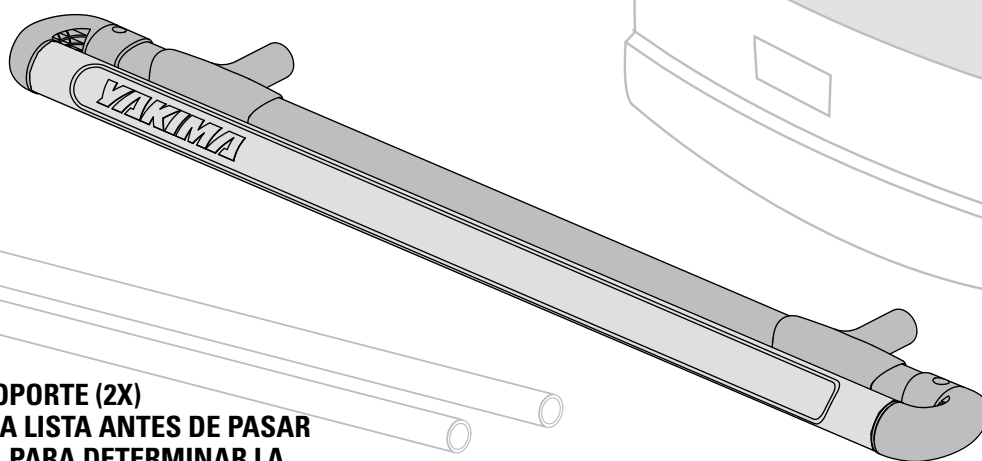
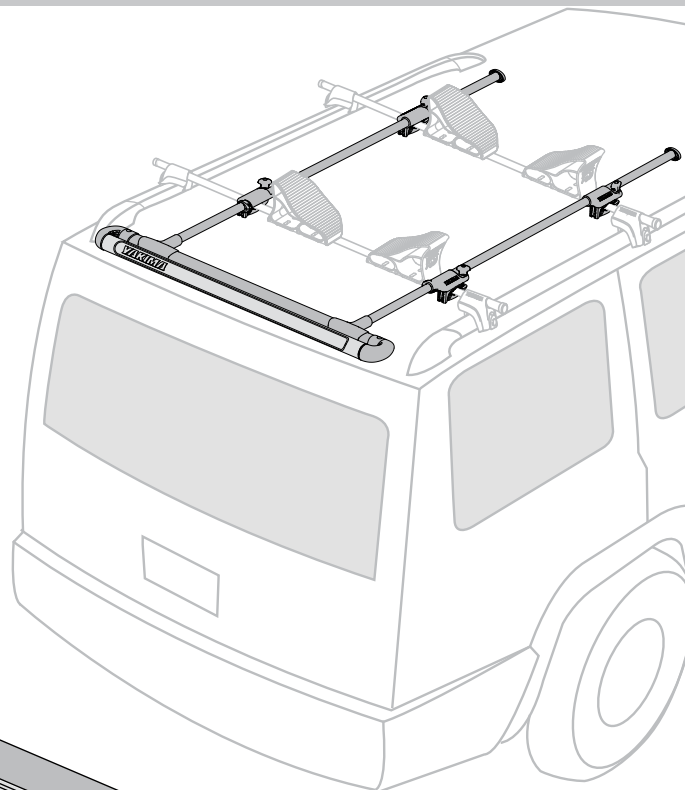


Ce produit est couvert par la garantie limitée « Tant que durera notre histoire d'amour » YAKIMA. Pour se procurer une copie de cette garantie, aller en ligne à www.yakima.com ou nous envoyer un courriel à yakwarranty@yakima.com ou appeler au (888) 925-4621.

Le fait de ne pas respecter les instructions, ou la liste de compatibilité (Fit List), ou les notes d'ajustage (Fit Notes) annule cette garantie.

CONSERVER CES INSTRUCTIONS !

PARA LOS BASTIDORES DE ORIGEN: Verifique las notas de la lista de compatibilidad, o visite Yakima.com para conocer la separación de las barras transversales de su vehículo.

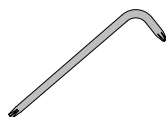


BARRA DE SOPORTE (2X)
(CONSULTE LA LISTA ANTES DE PASAR A LA ETAPA 1 PARA DETERMINAR LA LONGITUD DE LA BARRA Y EL NÚMERO DE PIEZA. VENDIDA POR SEPARADO.)

RODILLO (1X)



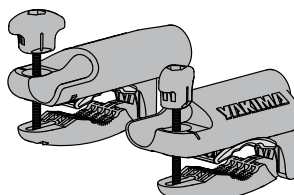
EXTREMOS (2X)



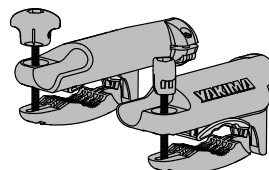
LLAVE DE CABEZA ESTRELLADA DE SEIS PUNTAS (1 X)



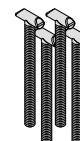
COLLAR DE TOPE (1X)



ABRAZADERAS DELANTERAS (2X)



ABRAZADERAS TRASERAS (2X)



TORNILLOS EN T EXTRA LARGOS ADICIONALES (4X)



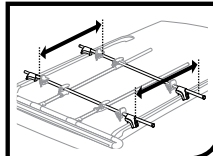
AVISO IMPORTANTE

LOS BASTIDORES Y ACCESORIOS YAKIMA ESTÉN FIJADOS DE MANERA CORRECTA Y SEGURA AL VEHÍCULO. UNA INSTALACIÓN DEFICIENTE PODRÍA CAUSAR UN ACCIDENTE AUTOMOVILÍSTICO Y PROVOCAR HERIDAS GRAVES O LA MUERTE A USTED O A TERCEROS. USTED ES RESPONSABLE DE LA FIJACIÓN SEGURA DE LOS BASTIDORES Y ACCESORIOS AL VEHÍCULO. VERIFICANDO LAS UNIONES Y AMARRES ANTES DE UTILIZARLOS E INSPECCIONANDO PERIÓDICAMENTE EL AJUSTE DE LOS PRODUCTOS, SU DESGASTE Y POSIBLES DAÑOS. POR ELLO, DEBE LEER Y COMPRENDER TODAS LAS INSTRUCCIONES Y ADVERTENCIAS QUE VIENEN CON LOS PRODUCTOS YAKIMA ANTES DE INSTALARLOS O USARLOS. SI NO ENTIENDE TODAS LAS INSTRUCCIONES Y ADVERTENCIAS, O NO TIENE EXPERIENCIA EN MECÁNICA O NO ESTÁ FAMILIARIZADO CON LOS PROCEDIMIENTOS DE INSTALACIÓN, HAGA INSTALAR EL PRODUCTO POR UN PROFESIONAL.

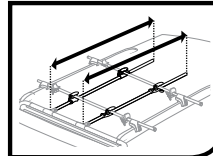
YAKIMA RECOMIENDA BARRAS DE SOPORTE DE 36 pulgadas/168 cm PARA LA MAYORÍA DE LOS VEHÍCULOS O, UTILIZAR ESTA TABLA DE AYUDA PARA AJUSTAR DE MANERA PRECISA EL VEHÍCULO AL PESO DE LA EMBARCACIÓN.



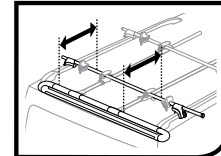
**¡NO OLVIDE LAS BARRAS DE SOPORTE!
(VENDIDAS POR SEPARADO)**



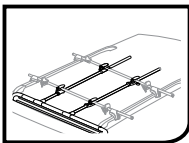
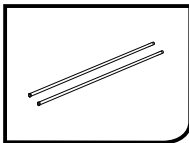
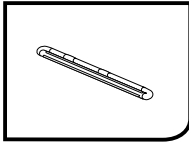
SEPARACIÓN ENTRE TRAVESAÑOS



LONGITUD DE LA BARRA DE SOPORTE



EXTENSIÓN DEL RODILLO



PESO DE LA EMBARCACIÓN

HASTA
35 lb/16 kg

35 lb/16 kg A
50 lb/23 kg

50 lb/23 kg A
80 lb/36 kg

SEPARACIÓN ENTRE TRAVESAÑOS Y LONGITUD DE LA BARRA DE SOPORTE

SEPARACIÓN ENTRE TRAVESAÑOS DE 24"/61 cm A 28"/71 cm	SEPARACIÓN ENTRE TRAVESAÑOS DE 28"/71 cm A 40"/102 cm
UTILIZAR BARRA DE SOPORTE DE 66"/168 cm	UTILIZAR BARRA DE SOPORTE DE 78"/198 cm
Número De Pieza 00410	Número De Pieza 00411

SEPARACIÓN ENTRE TRAVESAÑOS DE 24"/61 cm A 32"/81 cm	SEPARACIÓN ENTRE TRAVESAÑOS DE 32"/81 cm A 44"/112 cm
UTILIZAR BARRA DE SOPORTE DE 66"/168 cm	UTILIZAR BARRA DE SOPORTE DE 78"/198 cm
Número De Pieza 00410	Número De Pieza 00411

SEPARACIÓN ENTRE TRAVESAÑOS DE 24"/61 cm A 30"/76 cm	SEPARACIÓN ENTRE TRAVESAÑOS DE 30"/76 cm A 38"/97 cm	SEPARACIÓN ENTRE TRAVESAÑOS DE 38"/97 cm A 50"/127 cm
UTILIZAR BARRA DE SOPORTE DE 58"/147 cm	UTILIZAR BARRA DE SOPORTE DE 66"/168 cm	UTILIZAR BARRA DE SOPORTE DE 78"/198 cm
Número De Pieza 00409	Número De Pieza 00410	Número De Pieza 00411

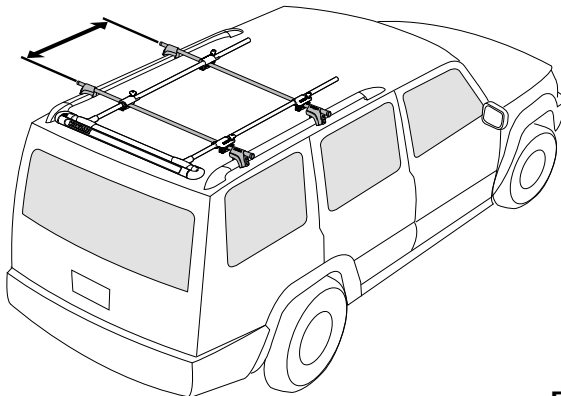
EXTENSIÓN MÁXIMA DEL RODILLO

EXTENSIÓN MÁXIMA DEL RODILLO: 34"/86 cm

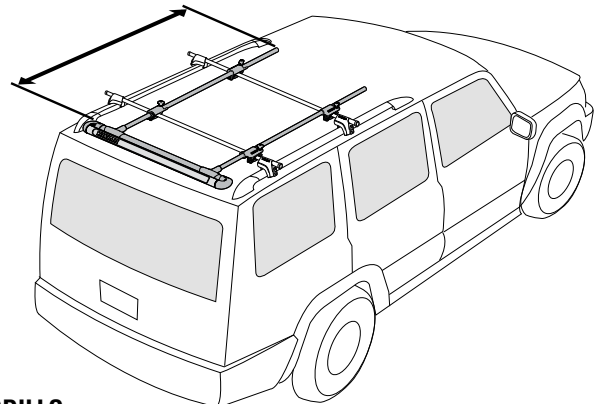
EXTENSIÓN MÁXIMA DEL RODILLO: 30"/76 cm

EXTENSIÓN MÁXIMA DEL RODILLO: 24"/61 cm

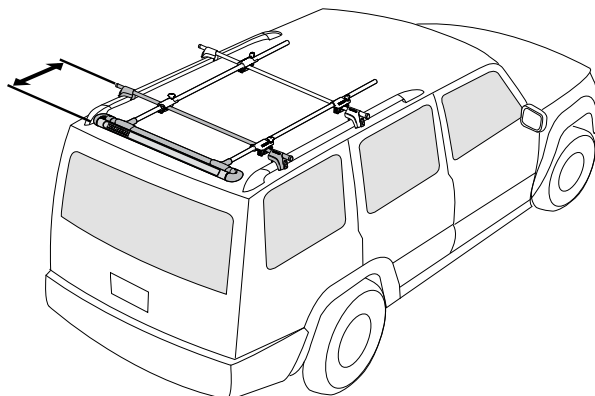
SEPARACIÓN ENTRE TRAVESAÑOS



LONGITUD DE LA BARRA DE SOPORTE



EXTENSIÓN DEL RODILLO

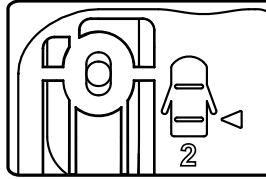




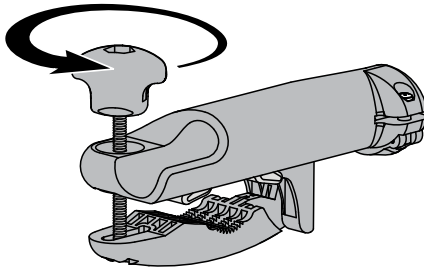
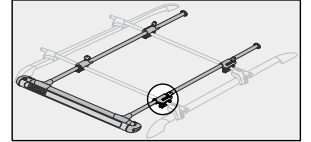
¡ATENCIÓN! PARA INFORMACIÓN SOBRE CÓMO CARGAR UNA CANOA, VAYA A LA PÁGINA 12.

1 PREPARE LA ABRAZADERA TRASERA DEL LADO DEL PASAJERO

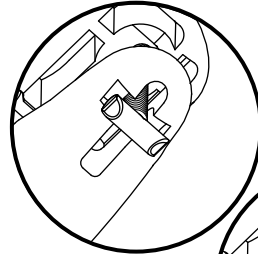
Es posible que ciertas barras de origen de mayor espesor necesiten el uso de tornillos en T más largos, incluidos con este producto.



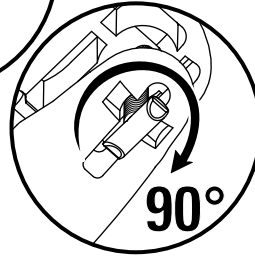
Consejo: Consulte el pictograma de la parte inferior de la abrazadera para identificar a esta última. Aquí se muestra el pictograma del lado del pasajero trasero.



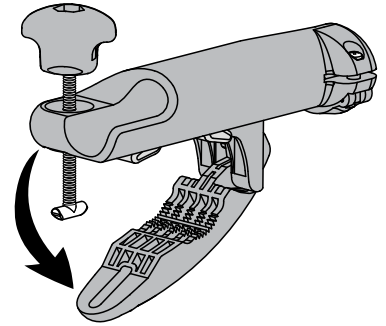
Desenrosque completamente la perilla de ajuste (pero sin sacarla).



Gire el tornillo en T.



90°



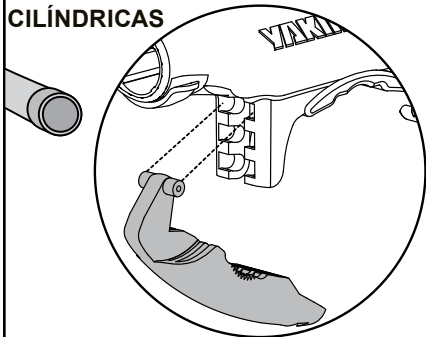
Abra la abrazadera.

2 AJUSTE LA POSICIÓN DE LA MORDAZA



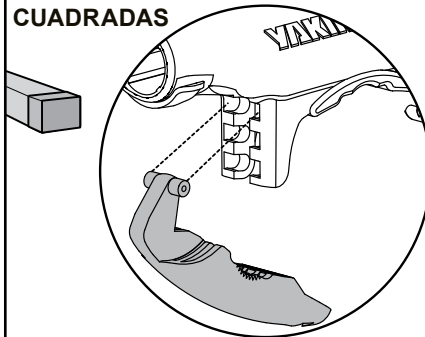
Si es necesario, retire la mordaza de la actual ranura de la abrazadera e insértela en la ranura correcta de la misma.

BARRAS CILÍNDRICAS



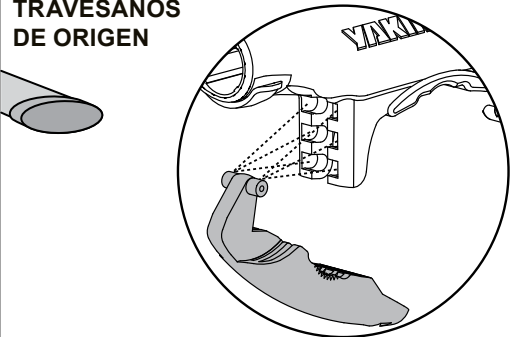
RANURA SUPERIOR

BARRAS CUADRADAS



RANURA DE ARRIBA

TRAVESAÑOS DE ORIGEN

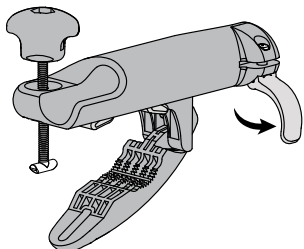


ELIJA LA RANURA QUE GARANTIZA UN AGARRE SEGURO.

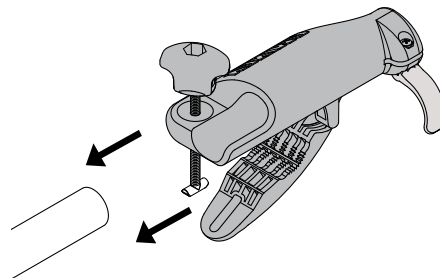


Asegúrese de verificar las fijaciones aprobadas en la caja del ShowBoat, o en el sitio Yakima.com. Para toda información sobre las barras de origen específicas a su vehículo, consulte la lista de fijaciones de Yakima, visite el sitio Yakima.com o contacte el servicio al cliente llamando al (888) 925-4621.

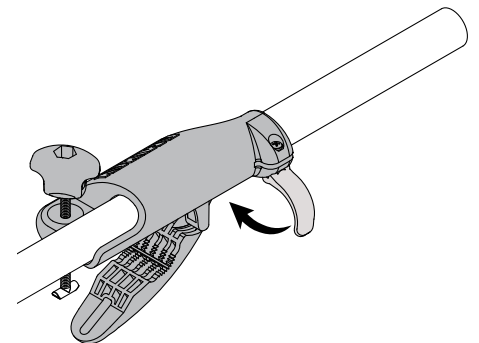
3 COLOQUE LA ABRAZADERA TRASERA EN LA BARRA DE SOPORTE



Abra la palanca roja.

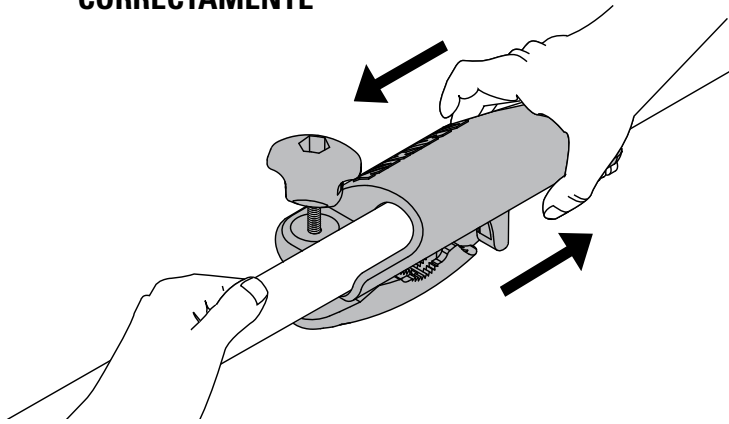


Deslice la abrazadera en la barra.



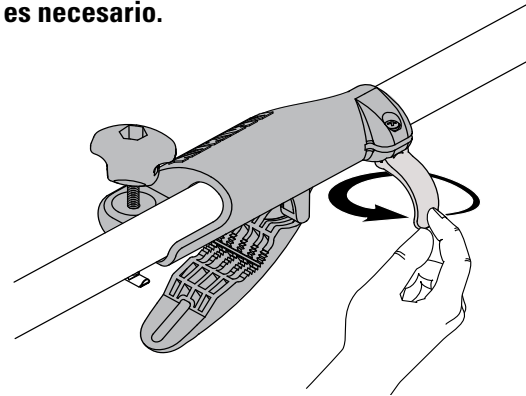
Cierre la palanca roja.

4 VERIFIQUE QUE LA ABRAZADERA ESTÉ AJUSTADA CORRECTAMENTE



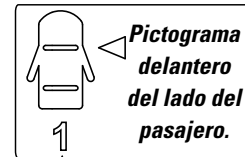
La abrazadera no tiene que moverse cuando la palanca roja está en la posición cerrada, pero debe deslizarse libremente cuando dicha palanca está abierta.

Para apretar la abrazadera, abra la palanca roja y gírela una vuelta completa en sentido horario, tal como se muestra. Luego, cierre la palanca roja y verifique que la abrazadera no desliza en la barra. Repita la operación si es necesario.

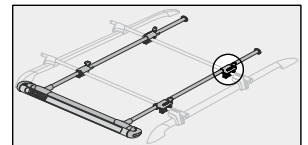


5 PREPARE LA ABRAZADERA DELANTERA DEL LADO DEL PASAJERO

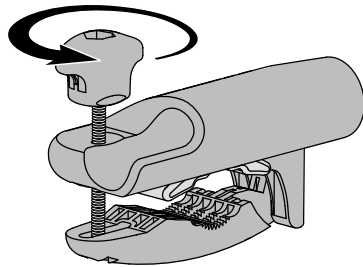
Es posible que ciertas barras de origen de mayor espesor necesiten el uso de tornillos en T más largos, incluidos con este producto.



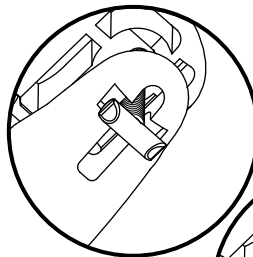
Pictograma delantero del lado del pasajero.



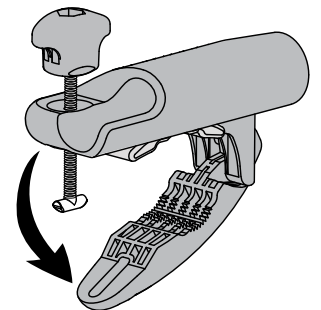
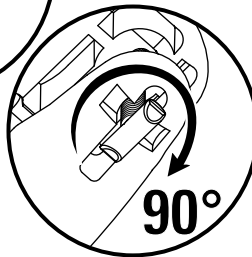
(No tenga en cuenta el número para la instalación de un kayak.)



Desenrosque completamente la perilla de ajuste (pero sin sacarla).



Gire el tornillo en T.



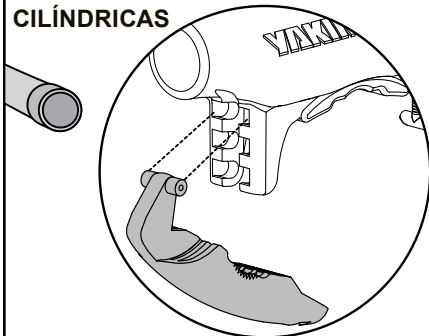
Abra la abrazadera.

6 AJUSTE LA POSICIÓN DE LA MORDAZA



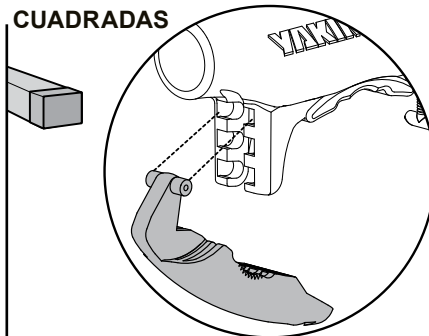
Si es necesario, retire la mordaza de la actual ranura de la abrazadera e insértela en la ranura correcta de la misma.

BARRAS CILÍNDRICAS



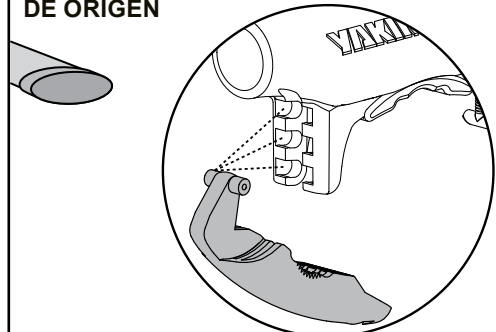
MUESCA SUPERIOR

BARRAS CUADRADAS



MUESCA DE ARRIBA

TRAVESAÑOS DE ORIGEN

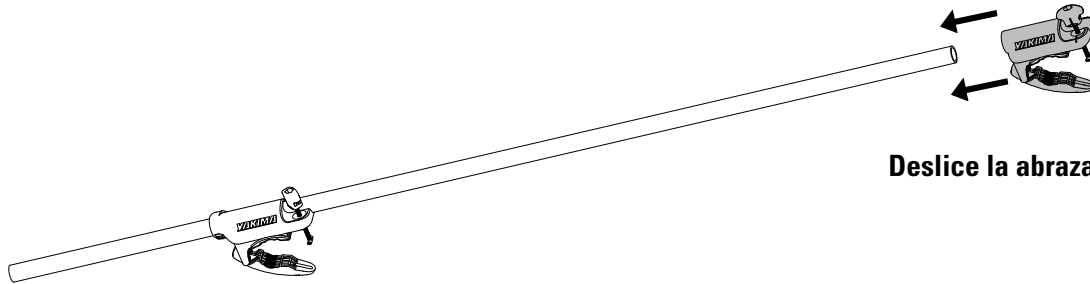
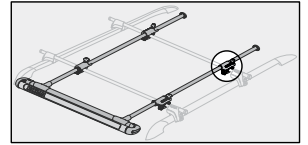


ELIJA LA RANURA QUE GARANTIZA UN AGARRE SEGURO.



Asegúrese de verificar las fijaciones aprobadas en la caja del ShowBoat, o en el sitio Yakima.com. Para toda información sobre las barras de origen específicas a su vehículo, consulte la lista de fijaciones de Yakima, visite el sitio Yakima.com o contacte el servicio al cliente llamando al (888) 925-4621.

7 COLOQUE LA ABRAZADERA DELANTERA EN LA BARRA DE SOPORTE



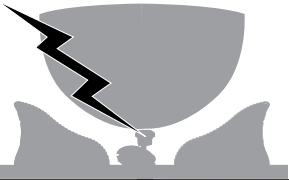
Deslice la abrazadera en la barra.

8 COLOQUE LA BARRA DE SOPORTE Y ABRAZADERAS EN LOS TRAVESAÑOS

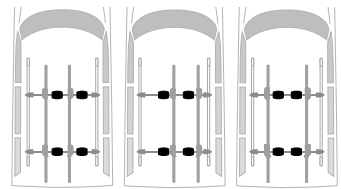
(PARA MÚLTIPLES EMBARCACIONES, VAYA A LA ETAPA 21 A FIN DE CONSULTAR LAS OPCIONES DE INSTALACIÓN DE LA BARRA).



PRECAUCIÓN: ¡Riesgo de contacto entre el casco y el ShowBoat! Si es necesario, vuelva a posicionarlo.

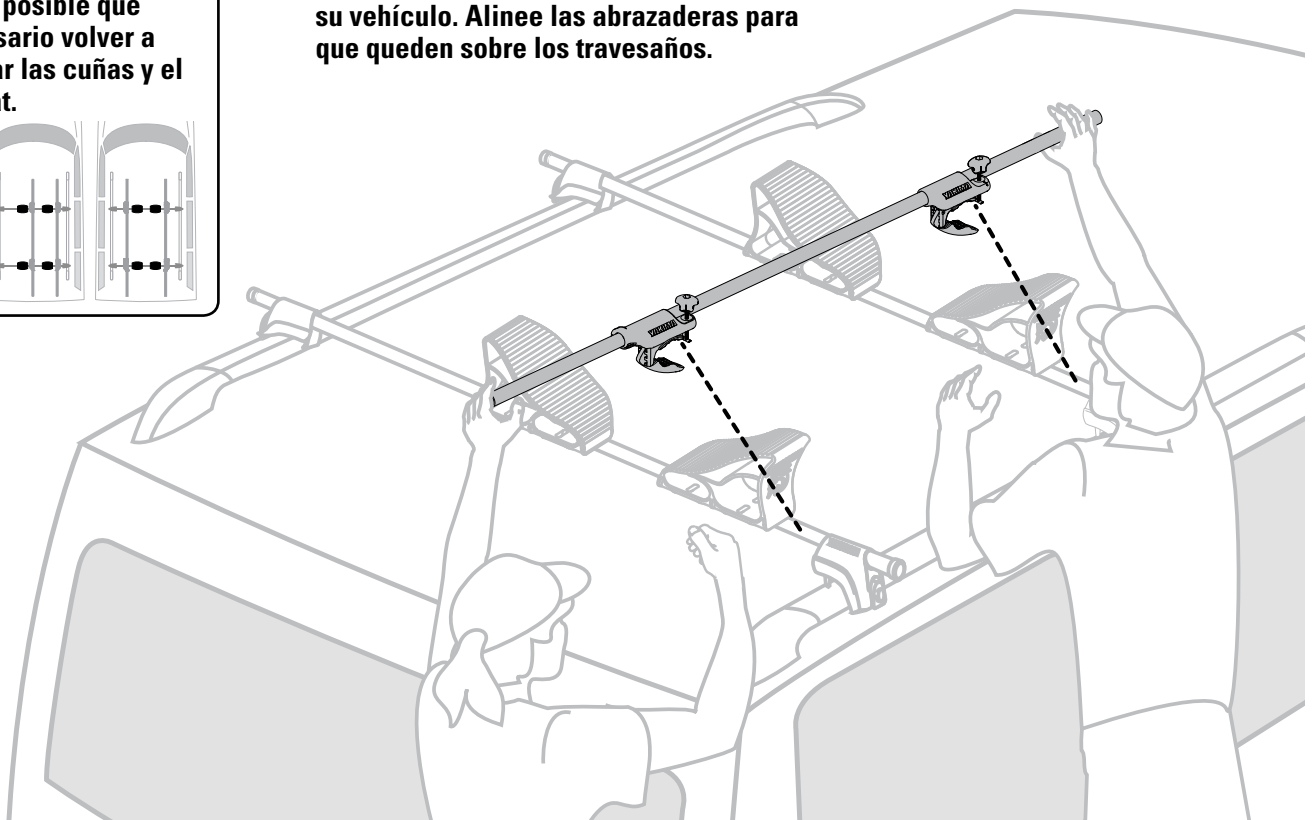


NOTA: Es posible que sea necesario volver a posicionar las cuñas y el ShowBoat.

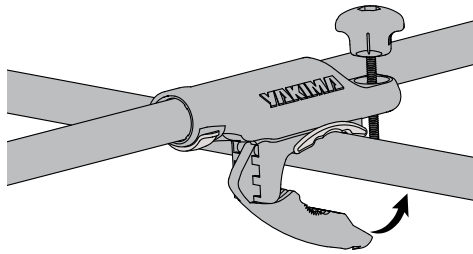


NOTA: Cuando se trabaja en un vehículo alto, la ayuda de un amigo puede facilitar la realización de esta etapa.

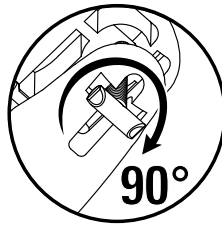
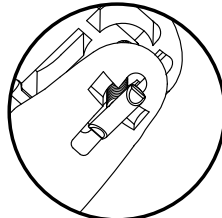
Coloque el conjunto formado por la barra de soporte y las abrazaderas sobre los travesaños, teniendo cuidado de no dañar su vehículo. Alinee las abrazaderas para que queden sobre los travesaños.



9 CIERRE Y APRIETE DE LA ABRAZADERA TRASERA (NO APRETAR COMPLETAMENTE)

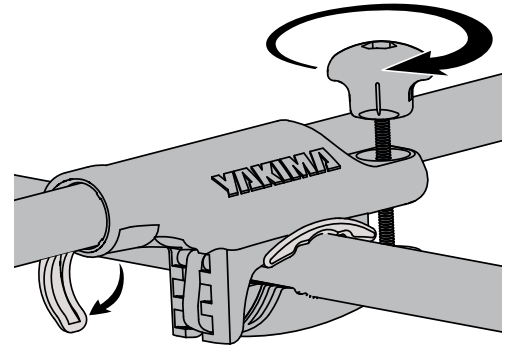


Cierre la abrazadera trasera alrededor del travesaño.



Pase el tornillo en T a través de la mordaza y gire el tornillo 90° para que quede en la ranura.

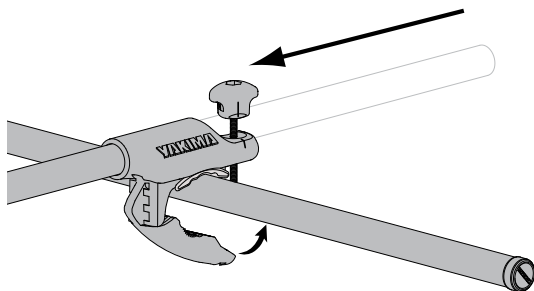
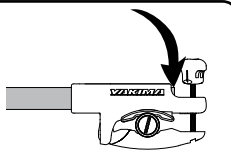
Apriete la perilla de ajuste lo suficiente como para sostener la abrazadera en su lugar.



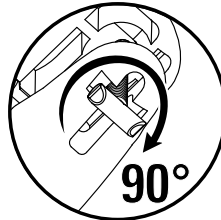
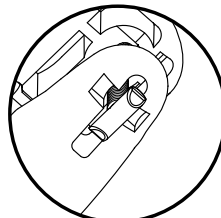
Abra la palanca roja antes de pasar a la etapa siguiente.

10 CIERRE Y APRIETE DE LA ABRAZADERA DELANTERA (NO APRETAR COMPLETAMENTE)

Deslice hacia atrás la barra de soporte, más allá de la perilla de ajuste.

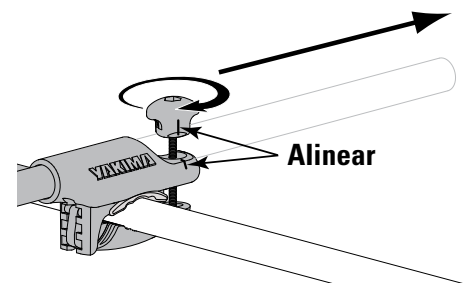


Cierre la abrazadera delantera alrededor del travesaño.



Pase el tornillo en T a través de la mordaza y gire el tornillo 90° para que quede en la ranura.

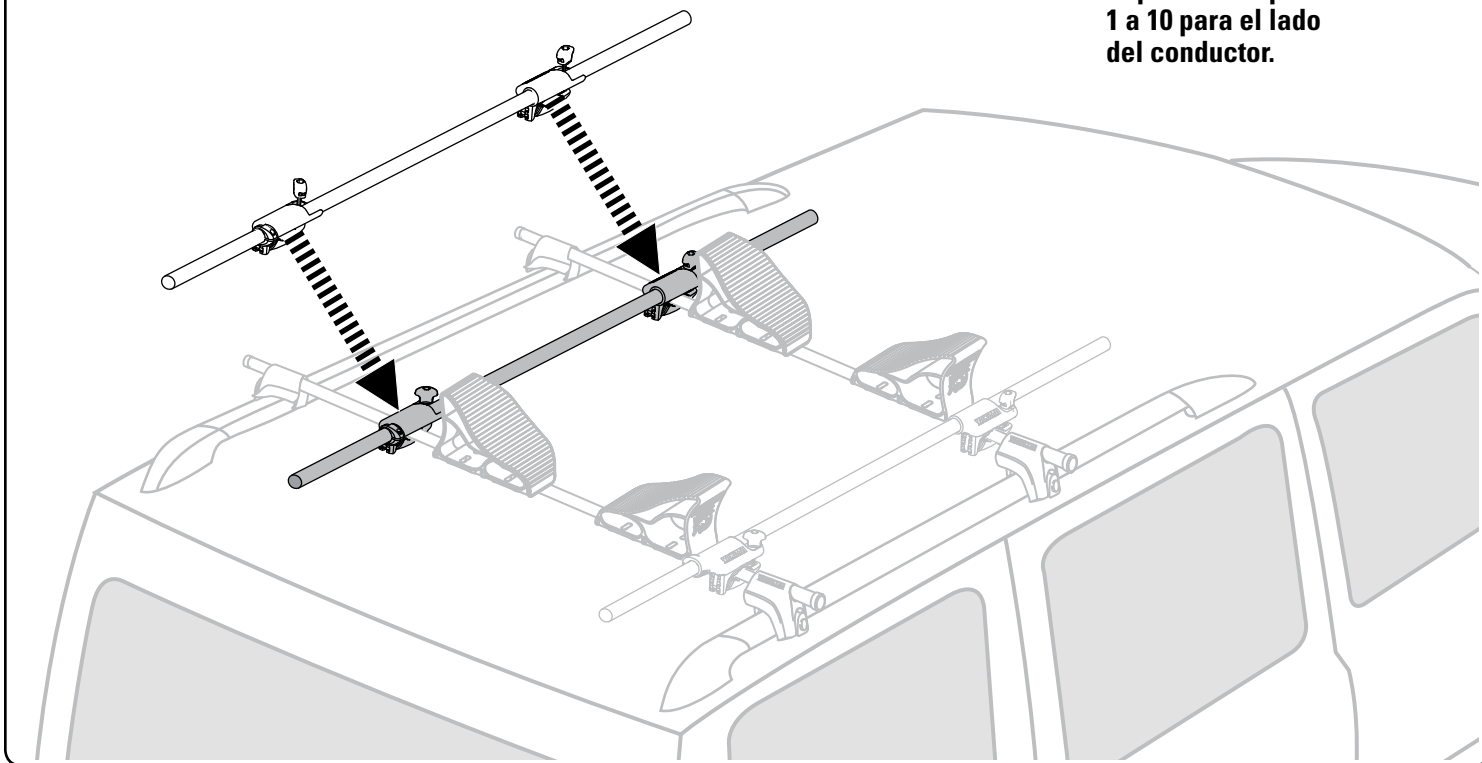
Apriete la perilla de ajuste. Alinee las marcas de la abrazadera y la perilla del ajuste.



Luego, deslice la barra de soporte hacia adelante a través de la abrazadera.

11 INSTALE LA BARRA DE SOPORTE Y LAS ABRAZADERAS DEL LADO DEL CONDUCTOR

Repita las etapas 1 a 10 para el lado del conductor.

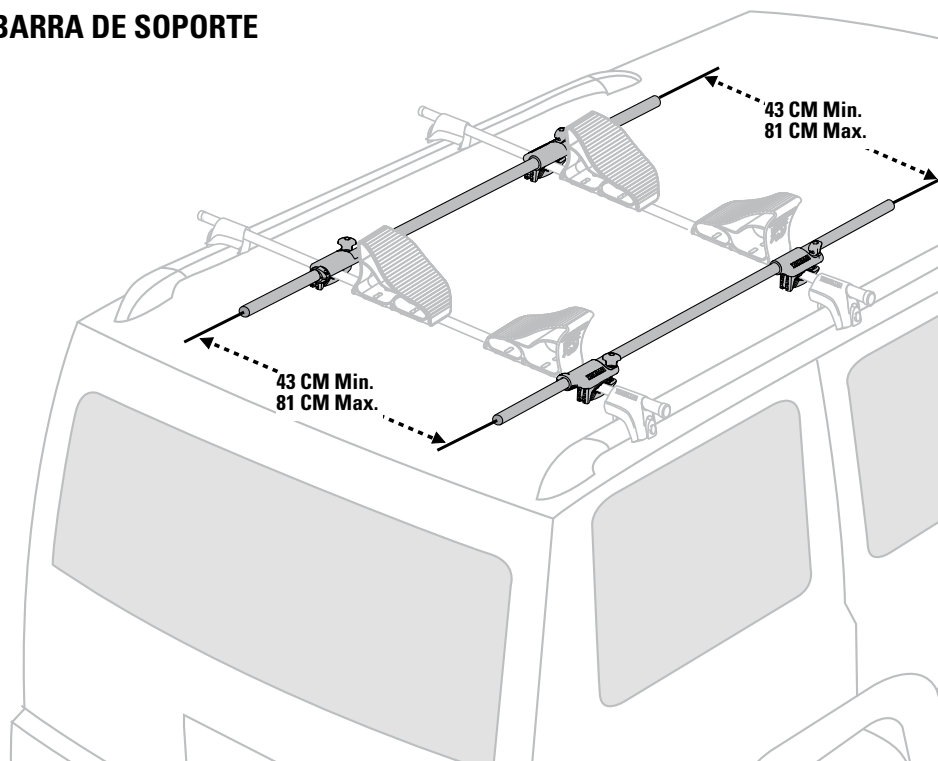


12 AJUSTE LA SEPARACIÓN DE LA BARRA DE SOPORTE

CONSEJO PARA MEDIR



La separación mínima está impresa en el lado derecho de la caja del ShowBoat.



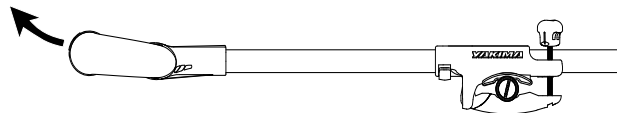
Asegúrese de que la distancia entre las barras de soporte izquierda y derecha sea la misma que en la parte delantera y trasera del vehículo.



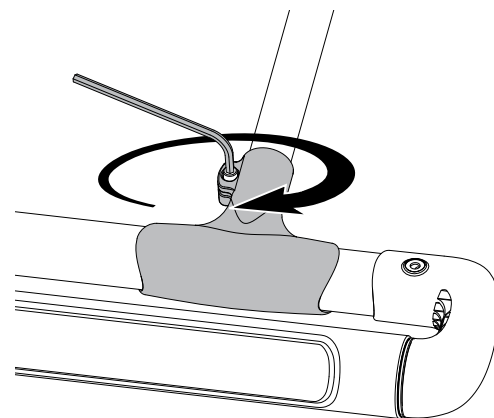
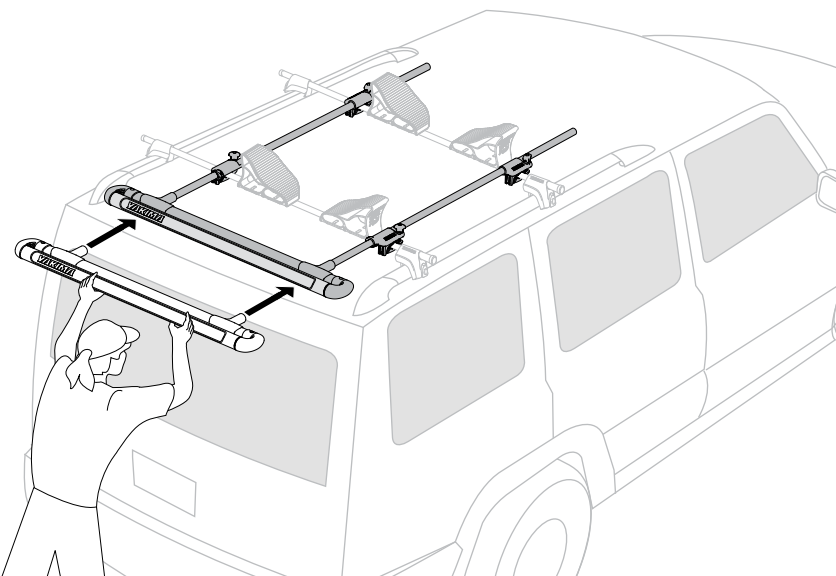
17 PULGADAS/43 CM ES LA SEPARACIÓN MÍNIMA
32 PULGADAS/81 CM ES LA SEPARACIÓN MÁXIMA

13 INSTALE EL RODILLO

Nota: El rodillo debe tener una inclinación hacia arriba.



Con la palanca roja en la posición cerrada, deslice el rodillo en las barras de soporte.



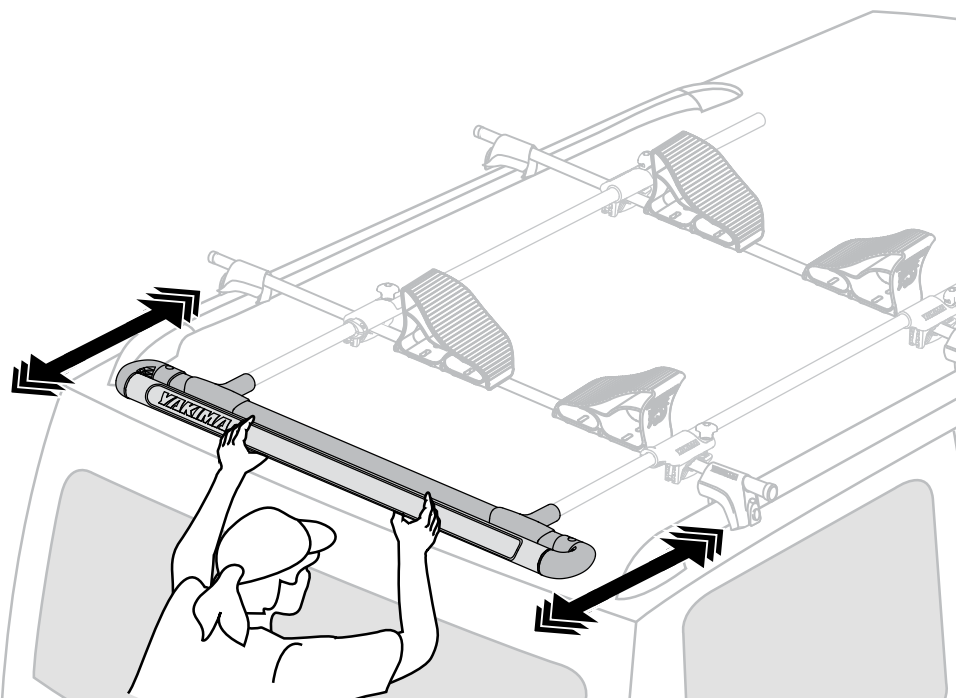
Utilice la llave provista para apretar los tornillos de cada lado.



Asegúrese de que la barra de soporte está completamente insertada en la fijación en T antes de apretar.

14 ALINEE LAS BARRAS DE SOPORTE

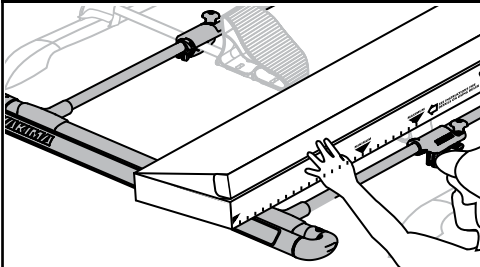
Abra las dos palancas rojas. Deslice el rodillo y la barra de soporte hacia adelante y hacia atrás para verificar si el movimiento es suave. Esta operación ayuda a alinear las barras de soporte.



Una vez que estén alineadas, apriete completamente las abrazaderas delanteras ejerciendo una firme presión. Asegúrese de alinear las marcas de las perillas delanteras con las marcas de las abrazaderas. No debe existir ninguna interferencia entre las perillas y las barras de soporte. Luego, apriete las abrazaderas traseras ejerciendo una firme presión.

15 AJUSTE LA SEPARACIÓN MÁXIMA

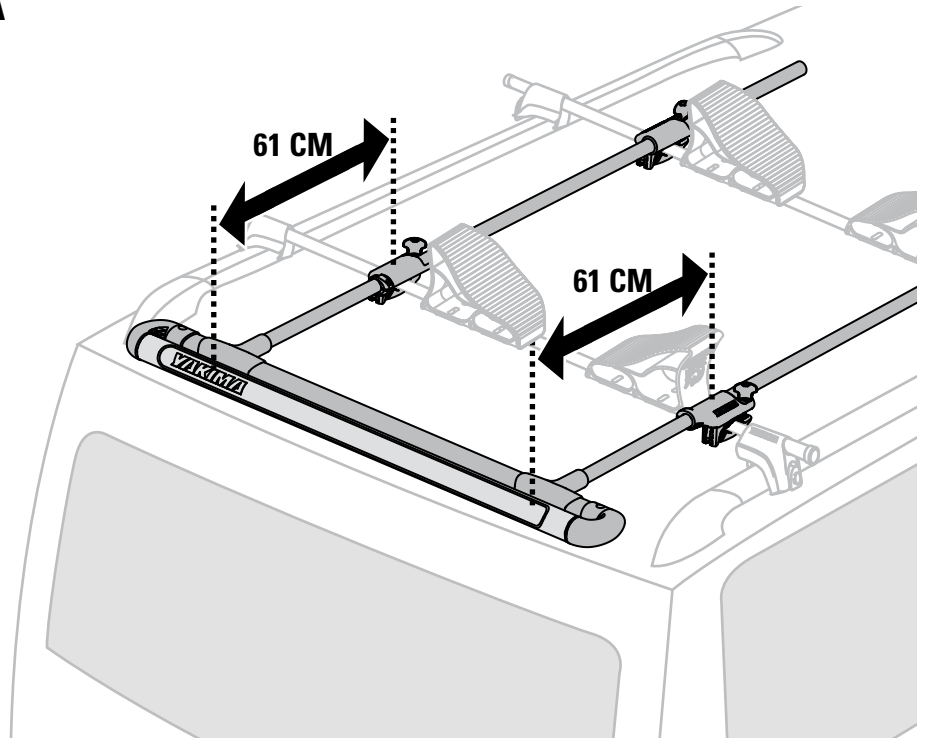
CONSEJO PARA MEDIR



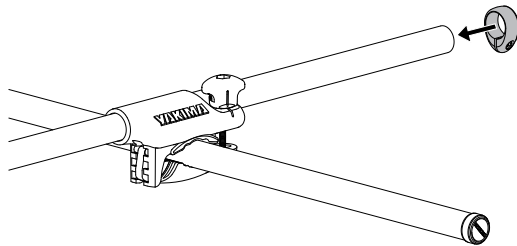
La distancia máxima para barras de 66 pulgadas/168 cm con una embarcación de 80 lbs (36 kg) está impresa en el lado derecho de la caja del ShowBoat.

Ajuste la distancia entre el centro del rodillo y el centro del travesaño trasero en 24 pulgadas/ 61 cm.

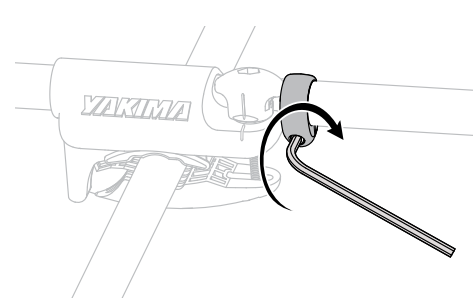
Cierre las palancas rojas.



16 INSTALE EL COLLAR DE TOPE



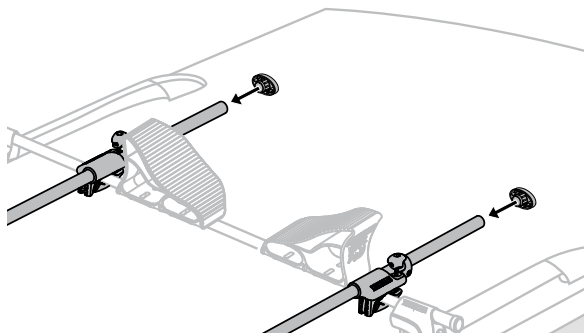
Deslice el collar de tope en la barra de soporte del lado del pasajero.



Utilice la llave provista para apretar el tornillo.

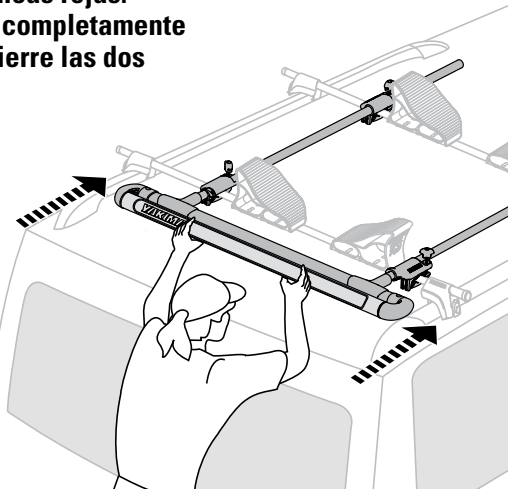
17 INSTALE LOS EXTREMOS

Empuje los extremos dentro de la barra de soporte ejerciendo una firme presión.



18 ASEGURE SIEMPRE EL RODILLO AL OPERAR EN EL VEHÍCULO

Abra las dos palancas rojas. Deslice el rodillo completamente hacia adelante. Cierre las dos palancas rojas.



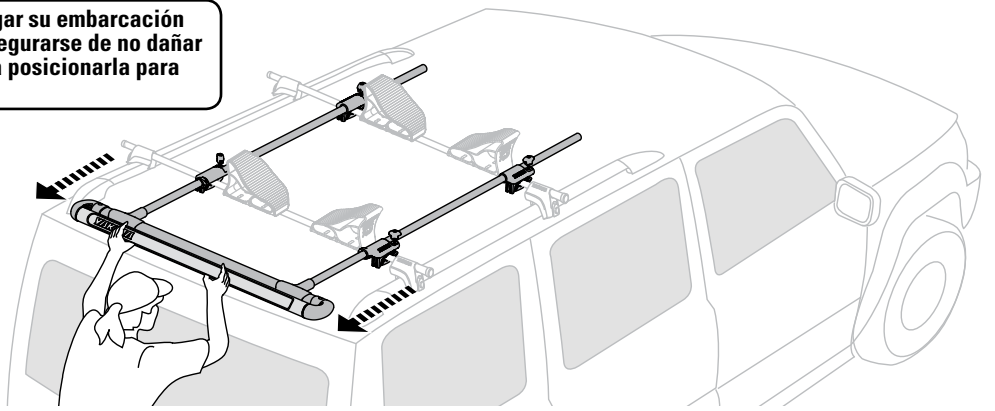
CARGA DE SU(S) EMBARCACIÓN(ONES)

19

NOTA: Tome la precaución de cargar su embarcación lentamente la primera vez para asegurarse de no dañar el casco. Si es necesario, vuelva a posicionarla para evitar el contacto.

Abra las dos palancas rojas. Tire del centro del rodillo hacia atrás hasta que encuentre el collar de tope. Cierre las palancas rojas.

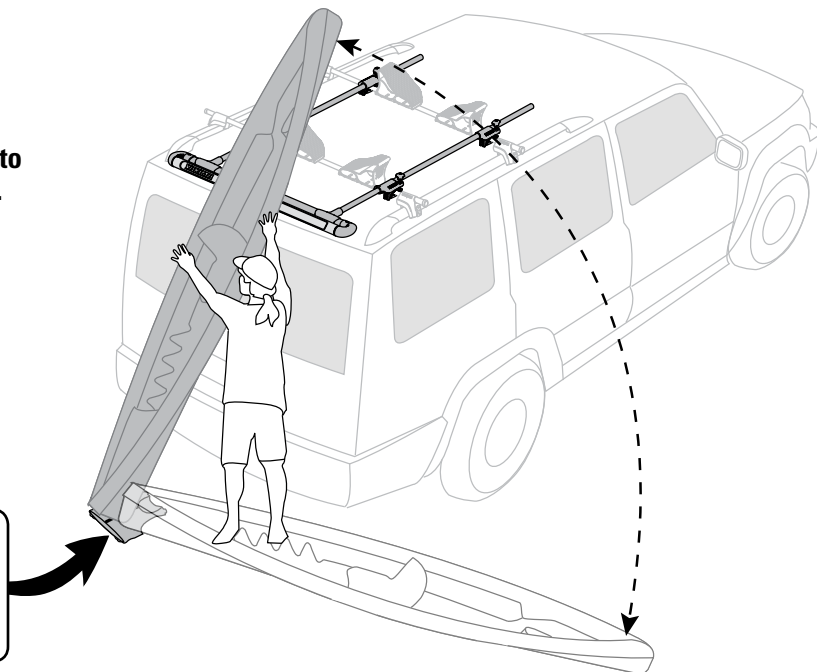
NOTA: Si el rodillo no se extiende fácilmente, vuelva a alinear las abrazaderas (etapa 14).



Apoye la embarcación contra el rodillo de modo que no haya ningún contacto entre aquella y el vehículo.

NOTA: Mantenga siempre la embarcación con una mano mientras la carga.

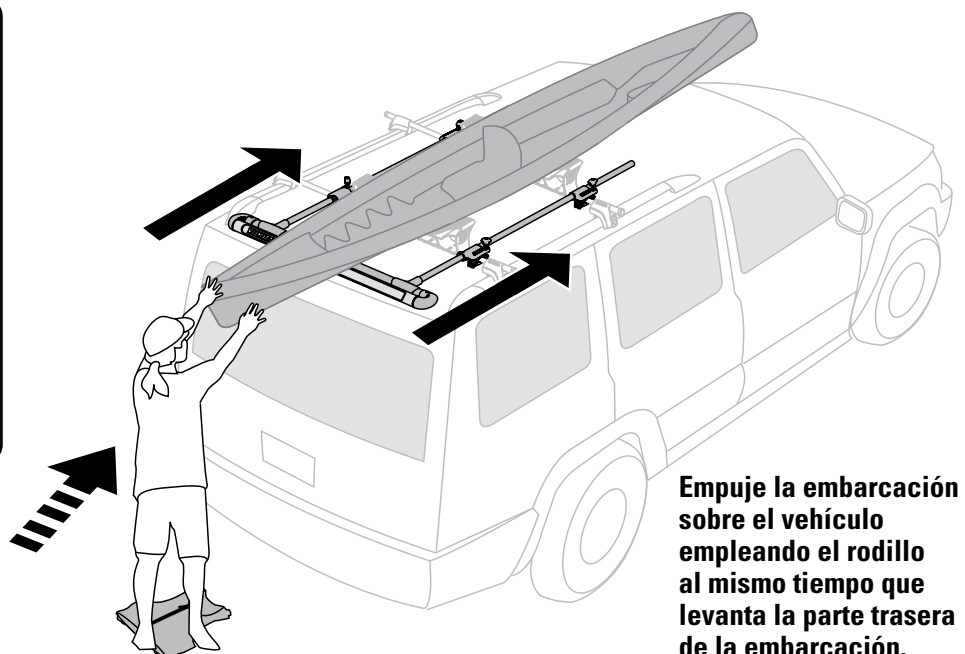
CONSEJO: Para proteger el acabado de su embarcación, utilice el dispositivo personal de flotación (PFD) de manera que la embarcación permanezca apoyada.



PRECAUCIÓN: ¡Riesgo de contacto entre el casco y el ShowBoat!



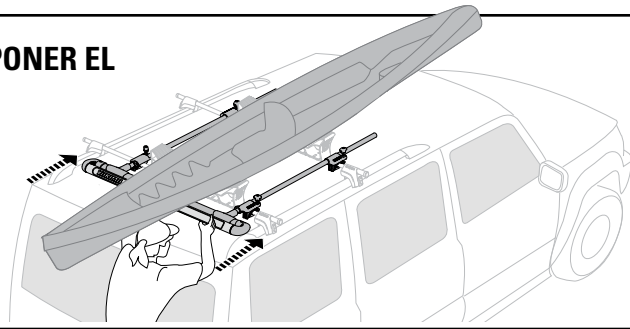
Para lograr un mayor despeje, se recomienda la instalación de la canoa con el rodillo inclinado hacia arriba.



Empuje la embarcación sobre el vehículo empleando el rodillo al mismo tiempo que levanta la parte trasera de la embarcación.

20 ASEGURE SIEMPRE EL RODILLO ANTES DE PONER EL VEHÍCULO EN MOVIMIENTO

Abra las palancas rojas y empuje el rodillo completamente hacia adelante. Cierre las palancas rojas.

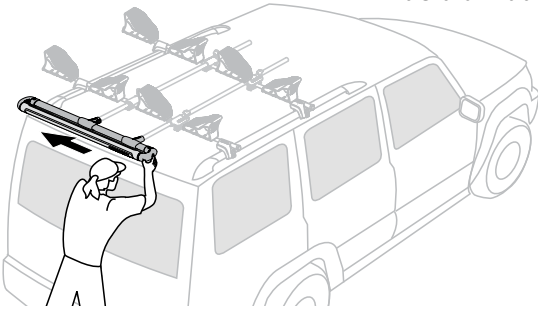


La falta de una fijación adecuada de la embarcación a los montantes, o de la parte delantera y trasera de una carga larga a los extremos del vehículo, puede provocar daños materiales, heridas corporales o la muerte. Consulte las instrucciones para el montaje de accesorios con el fin de proceder correctamente.

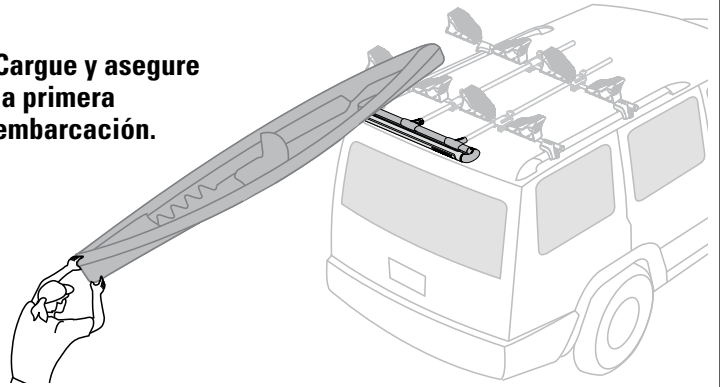
CARGA DE MÚLTIPLES EMBARCACIONES

21

Deslice el rodillo hacia un lado.



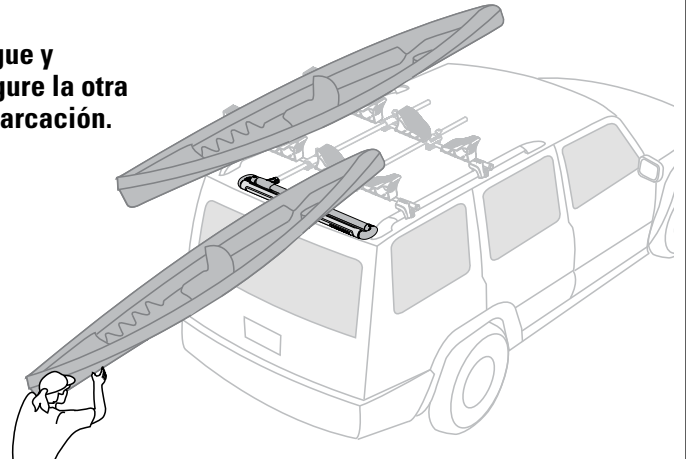
Cargue y asegure la primera embarcación.



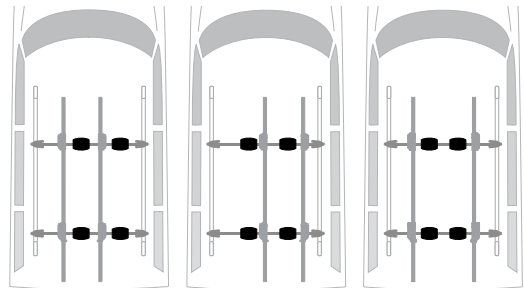
Deslice el rodillo hacia el otro lado.



Cargue y asegure la otra embarcación.



NOTA: Es posible que sea necesario volver a posicionar las cuñas y el ShowBoat..



¡IMPORTANTE!

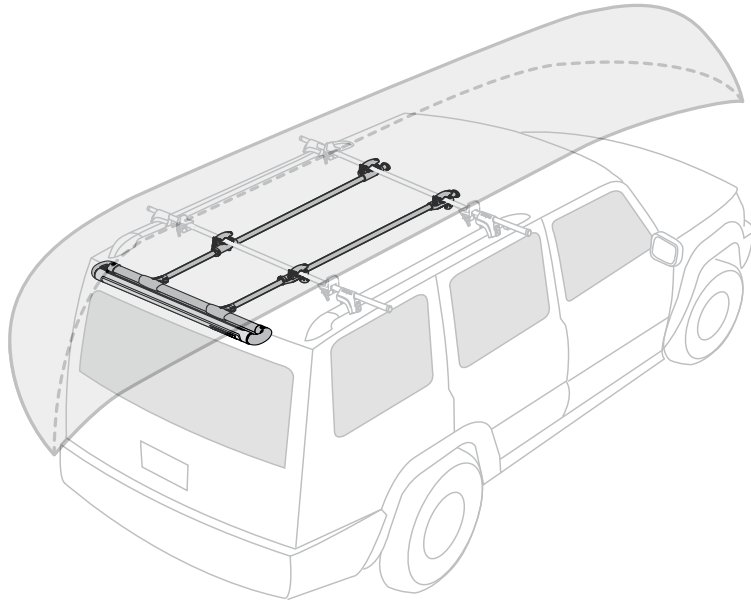


LEA TODAS LAS ADVERTENCIAS Y PRECAUCIONES IMPORTANTES SOBRE ESTE PRODUCTO EN LAS PÁGINAS 19 Y 20.

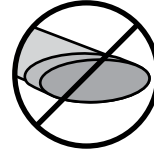


La falta de una fijación adecuada de la embarcación a los montantes, o de la parte delantera y trasera de una carga larga a los extremos del vehículo, puede provocar daños materiales, heridas corporales o la muerte. Consulte las instrucciones para el montaje de accesorios con el fin de proceder correctamente.

INSTRUCCIONES PARA CARGAR UNA CANOA

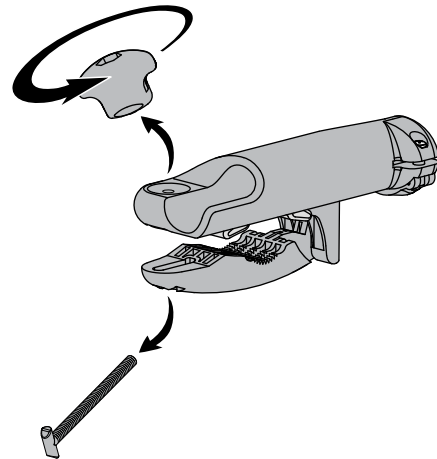


PRECAUCIÓN: ¡SE RECOMIENDA NO CARGAR UNA CANOA CON LOS TRAVESAÑOS DE ORIGEN!



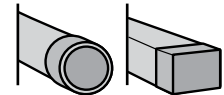
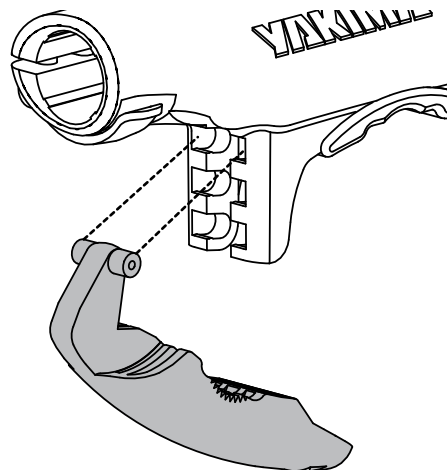
22 PREPARE LAS ABRAZADERAS PARA LA INSTALACIÓN

Retire la perilla de ajuste y el tornillo en T en cada una de las cuatro abrazaderas.



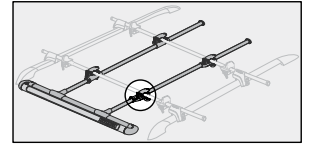
23 AJUSTE LA POSICIÓN DE LA MORDAZA

Si es necesario, retire la mordaza de la actual ranura de la abrazadera e insértela en la ranura correcta de la misma.



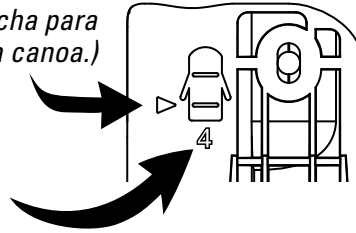
BARRAS CILÍNDRICAS Y BARRAS CUADRADAS

24 INSTALE LA ABRAZADERA TRASERA DEL LADO DEL PASAJERO (NO APRETAR COMPLETAMENTE)

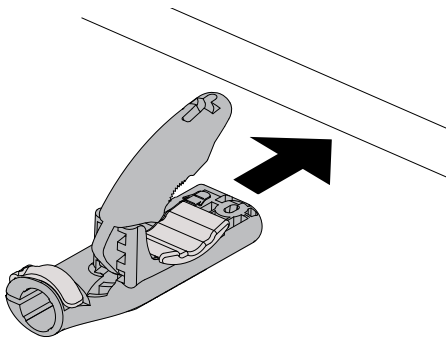


(No tenga en cuenta la flecha para la instalación de una canoa.)

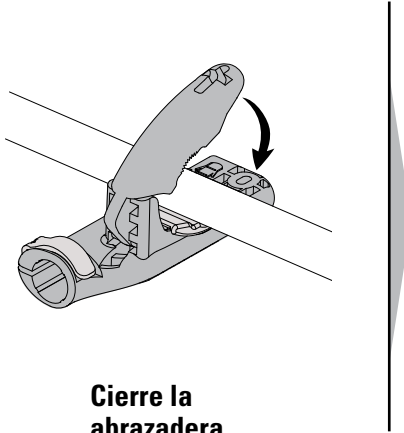
Identifique la abrazadera trasera del lado del pasajero utilizando el número que se encuentra en la parte inferior de la abrazadera.



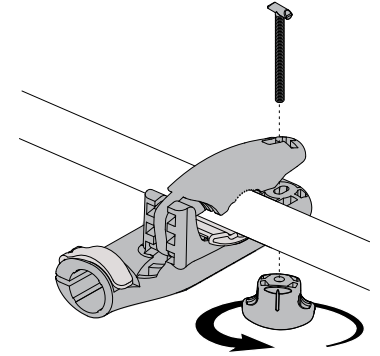
El número correcto para la abrazadera trasera del lado del pasajero es 4.



Abra la abrazadera y colóquela en su lugar alrededor del travesaño.

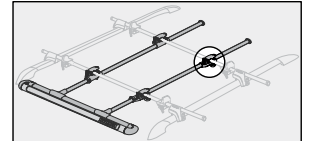


Cierre la abrazadera.



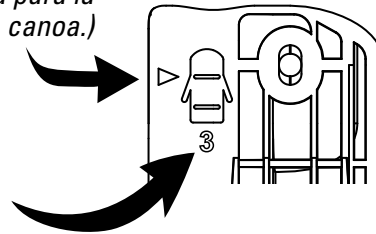
Vuelva a colocar el tornillo en T y enrosque la perilla. Apriete lo suficiente como para mantener la abrazadera en su lugar.

25 INSTALE LA ABRAZADERA DELANTERA DEL LADO DEL PASAJERO (NO APRETAR COMPLETAMENTE)

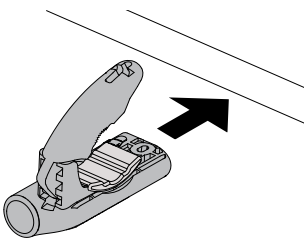


(No tenga en cuenta la flecha para la instalación de una canoa.)

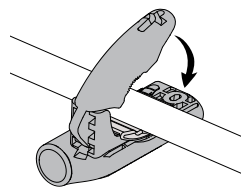
Identifique la abrazadera delantera del lado del pasajero utilizando el número que se encuentra en la parte inferior de la abrazadera.



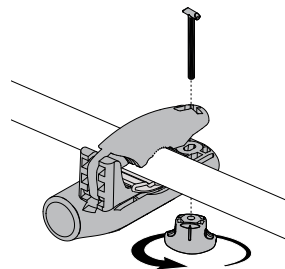
El número correcto para la abrazadera delantera del lado del pasajero es 3.



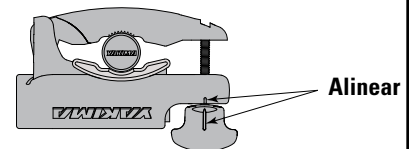
Abra la abrazadera y colóquela en su lugar alrededor del travesaño.



Cierre la abrazadera.



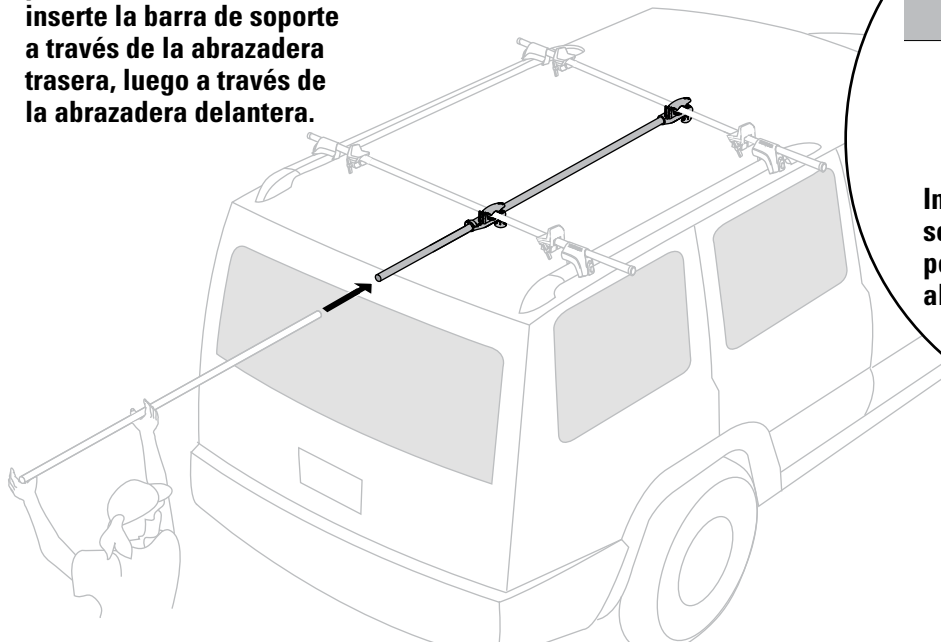
Vuelva a colocar el tornillo en T y enrosque la perilla. Apriete lo suficiente como para mantener la abrazadera en su lugar.



Alinee la marca de la abrazadera y la perilla de ajuste.

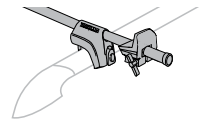
26 INSERTE LA BARRA DE SOPORTE

Asegúrese de que la palanca roja está abierta e inserte la barra de soporte a través de la abrazadera trasera, luego a través de la abrazadera delantera.

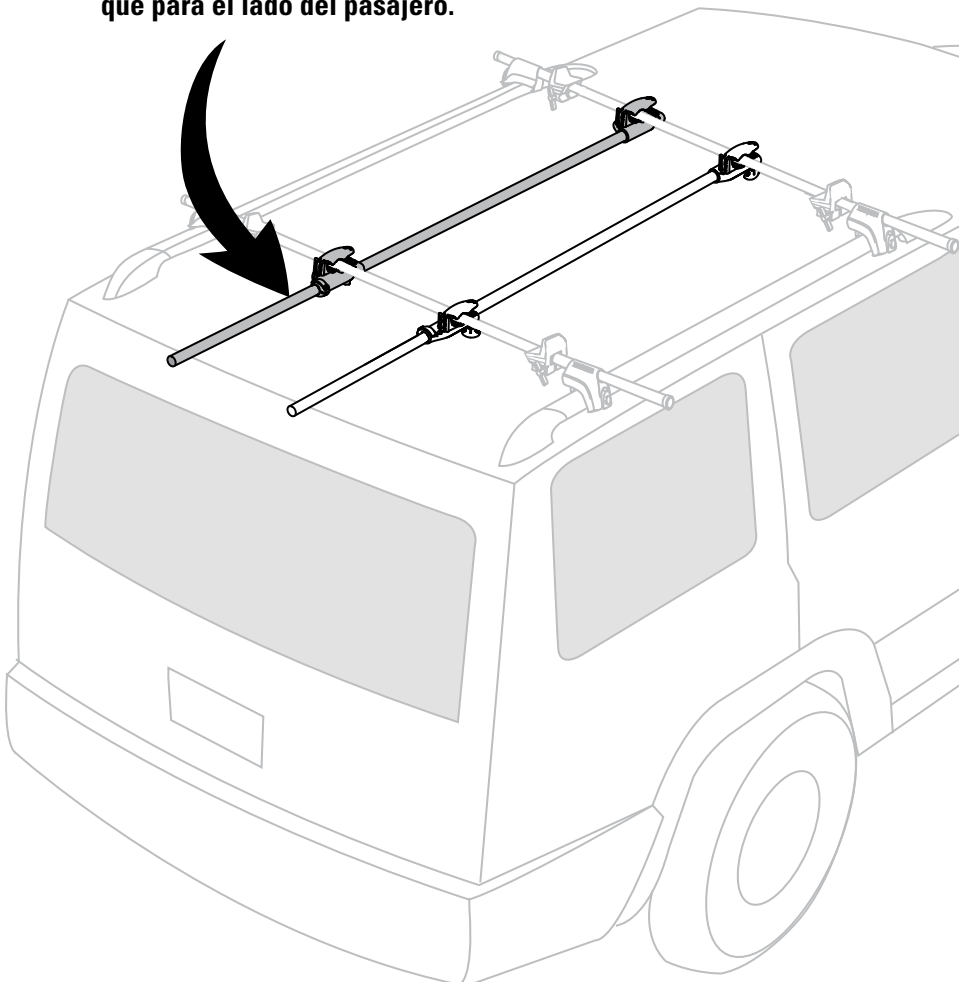


Introduzca totalmente la barra de soporte en la abrazadera, pero no permita que dicha barra entre más allá de lo mostrado.

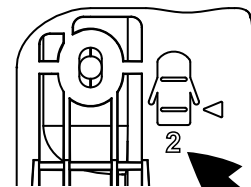
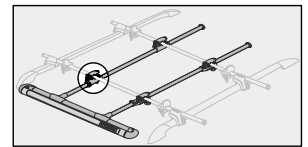
NOTA: Los toques Gunwale se pueden colocar fuera de las torres.



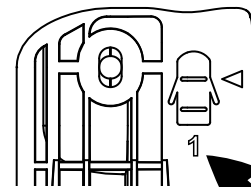
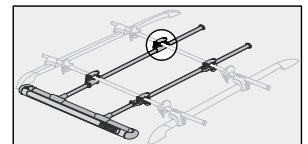
27 Instale las abrazaderas y la barra de soporte del lado del conductor empleando el mismo procedimiento que para el lado del pasajero.



El número de identificación de la abrazadera trasera del lado del conductor es 2.

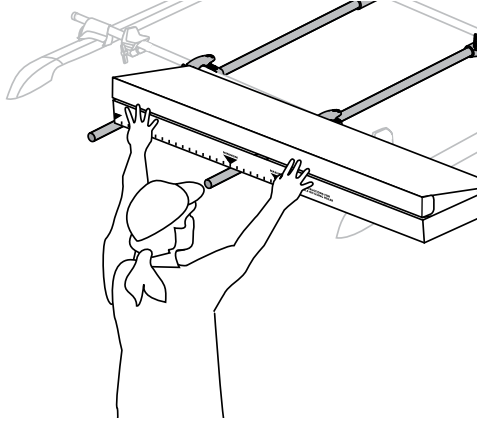


El número de identificación de la abrazadera delantera del lado del conductor es 1.



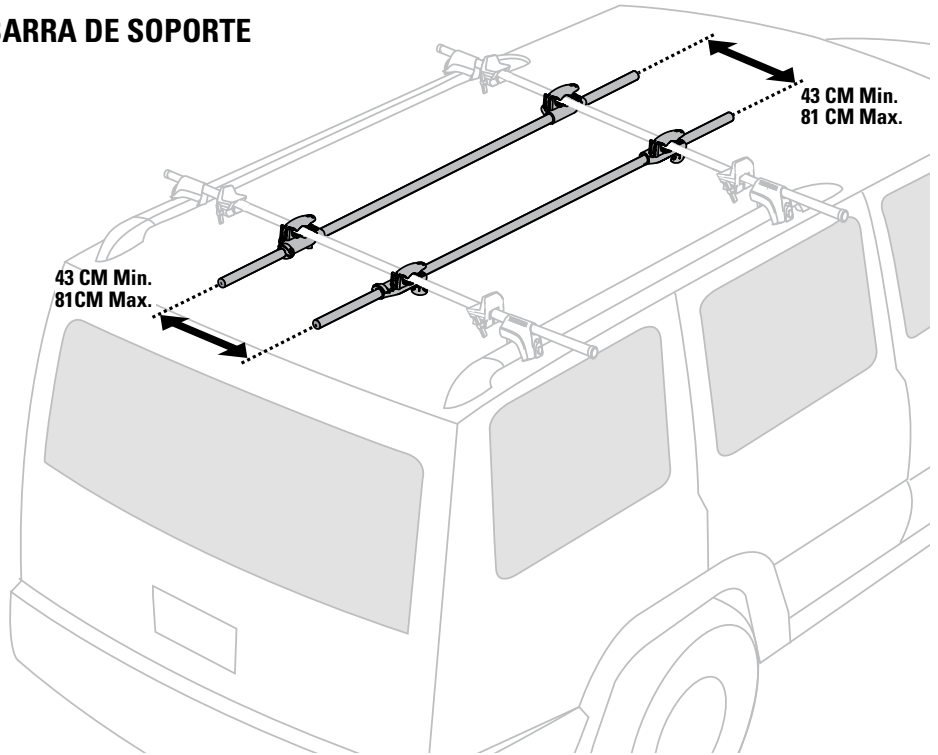
28 AJUSTE LA SEPARACIÓN DE LA BARRA DE SOPORTE

CONSEJO PARA MEDIR



La separación mínima está impresa en el lado derecho de la caja del ShowBoat.

Asegúrese de que la distancia entre las barras de soporte izquierda y derecha sea la misma que en la parte delantera y trasera del vehículo.

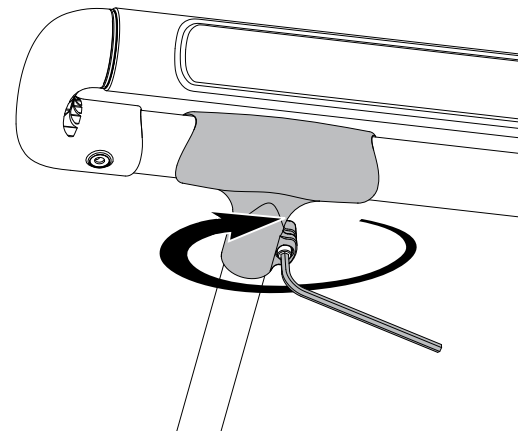
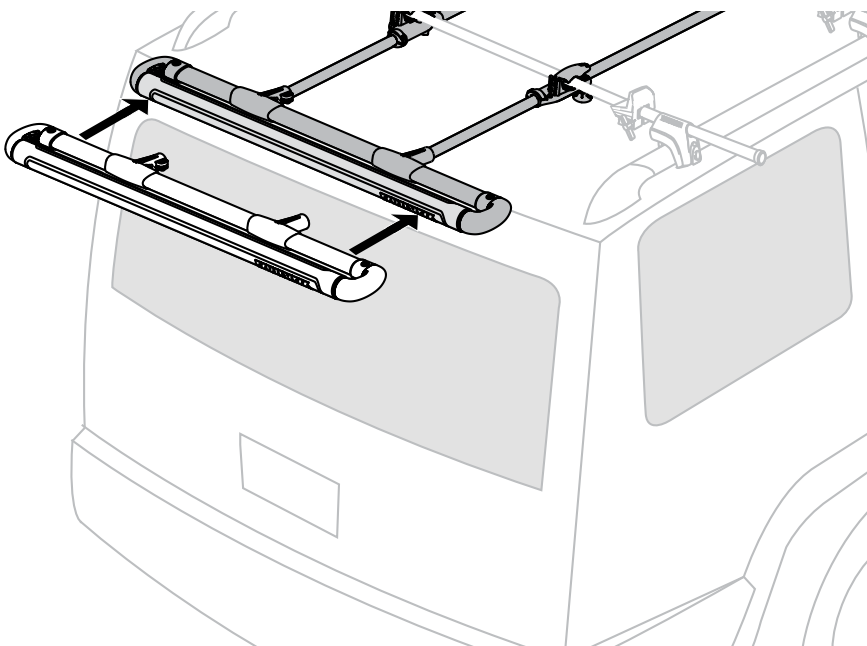
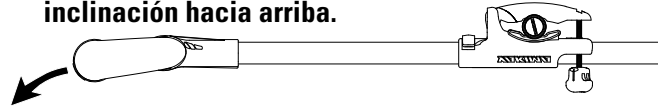


17 PULGADAS/43 CM ES LA SEPARACIÓN MÍNIMA
32 PULGADAS/81 CM ES LA SEPARACIÓN MÁXIMA

29 INSTALE EL RODILLO

Con la palanca roja en la posición cerrada, deslice el rodillo en las barras de soporte.

Nota: Para las canoas, el rodillo debe tener una inclinación hacia arriba.



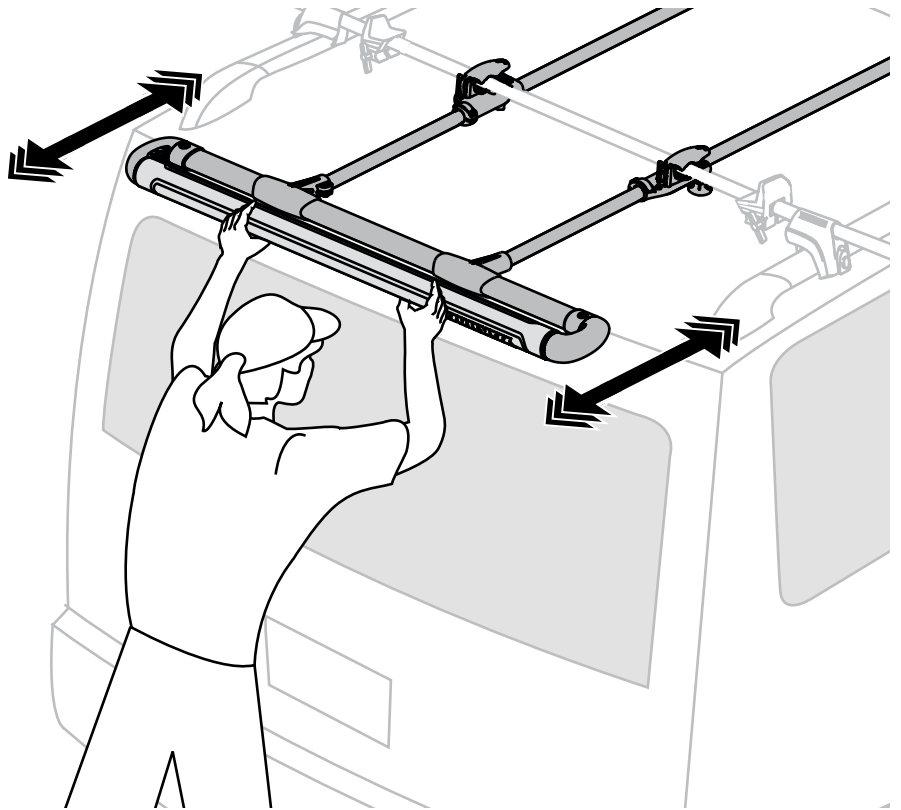
Utilice la llave provista para apretar el tornillo de cada lado del rodillo.



Asegúrese de que la barra de soporte está completamente insertada en la fijación en T antes de apretar.

30 ALINEE LAS BARRAS DE SOPORTE

Abra las dos palancas rojas. Deslice el rodillo y la barra de soporte hacia adelante y hacia atrás para verificar si el movimiento es suave. Esta operación ayuda a alinear las barras de soporte.



Una vez que estén alineadas, apriete completamente las abrazaderas delanteras ejerciendo una firme presión. Asegúrese de alinear las marcas de las perillas delanteras con las marcas de las abrazaderas (consulte la etapa 10). No debe existir ninguna interferencia entre las perillas y las barras de soporte. Luego, apriete las abrazaderas traseras ejerciendo una firme presión.

31 AJUSTE LA EXTENSIÓN MÁXIMA

CONSEJO PARA MEDIR

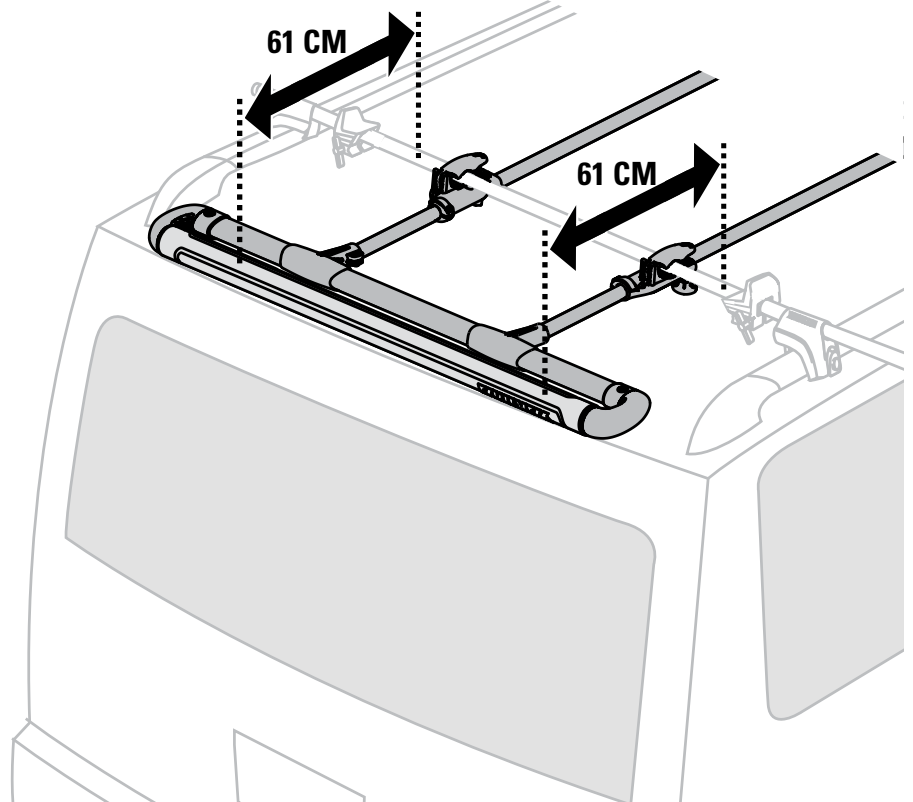


La distancia máxima está impresa en el lado derecho de la caja del ShowBoat.

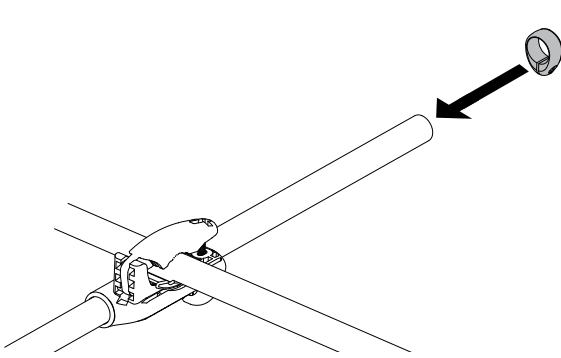
Consulte la lista que se encuentra antes de la etapa 1 para determinar la extensión máxima del rodillo.

Ajuste la distancia entre el centro del rodillo y el centro del travesaño trasero en 24 pulgadas/61 cm.

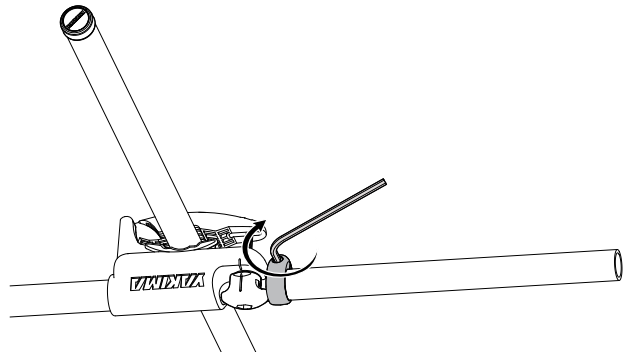
Cierre las palancas rojas.



32 INSTALE EL COLLAR DE TOPE

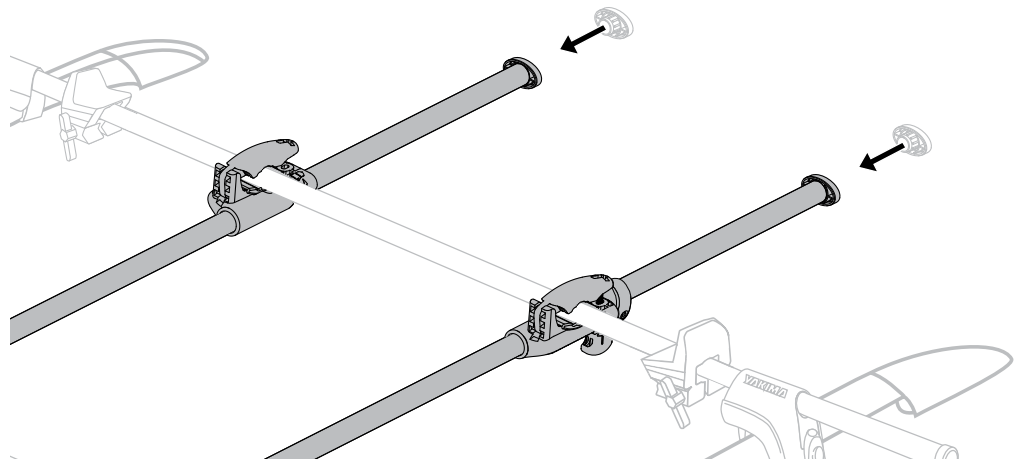


Deslice el collar de tope en la barra de soporte del lado del pasajero hasta que encuentre la abrazadera delantera.



Utilice la llave provista para apretar el tornillo.

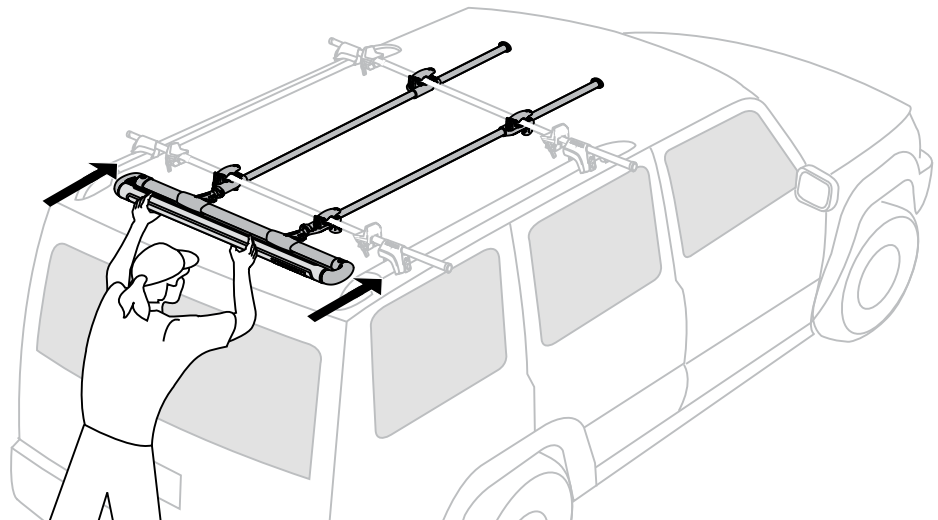
33 INSTALE LOS EXTREMOS



Empuje los extremos dentro de la barra de soporte ejerciendo una firme presión.

34 ASEGURE SIEMPRE EL RODILLO AL OPERAR EN EL VEHÍCULO

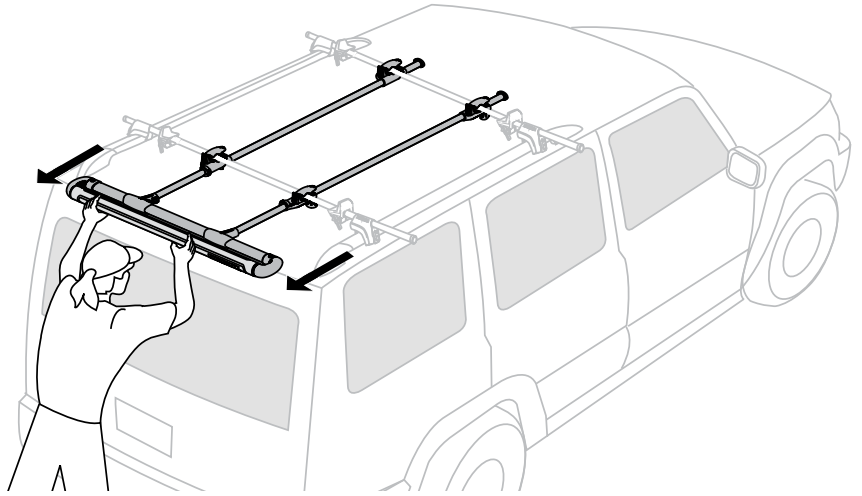
Abra las dos palancas rojas. Deslice el rodillo completamente hacia adelante. Cierre las dos palancas rojas.



35 CARGUE LA CANOA

Abra las dos palancas rojas. Tire del rodillo hacia atrás hasta que encuentre el collar de tope. Cierre las dos palancas rojas.

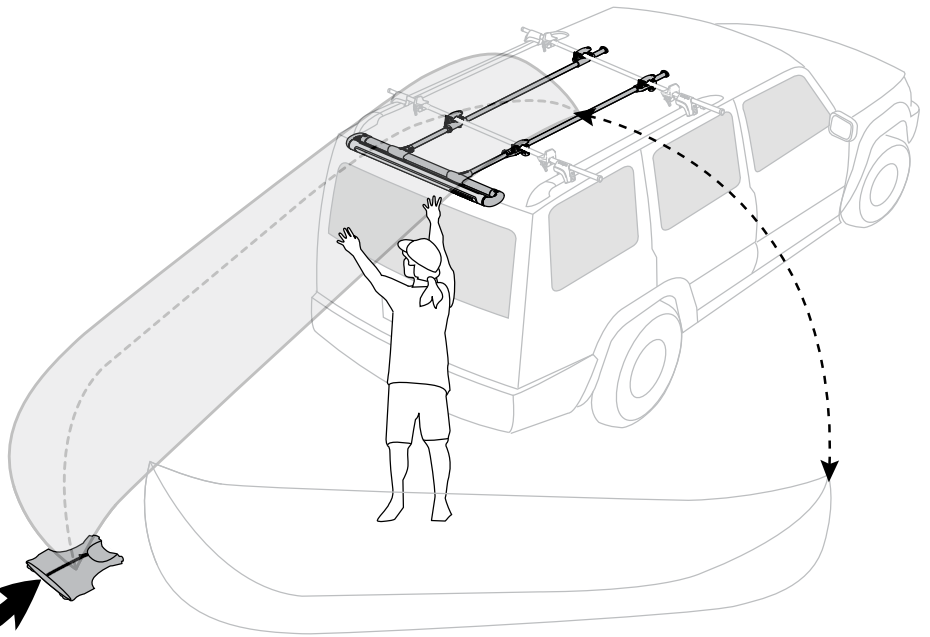
NOTA: Si el rodillo no se extiende fácilmente, vuelva a alinear las abrazaderas (etapa 30).



Apoye la canoa contra el rodillo de modo que no haya ningún contacto entre aquella y el vehículo.

NOTA: Mantenga siempre la embarcación con una mano mientras la carga.

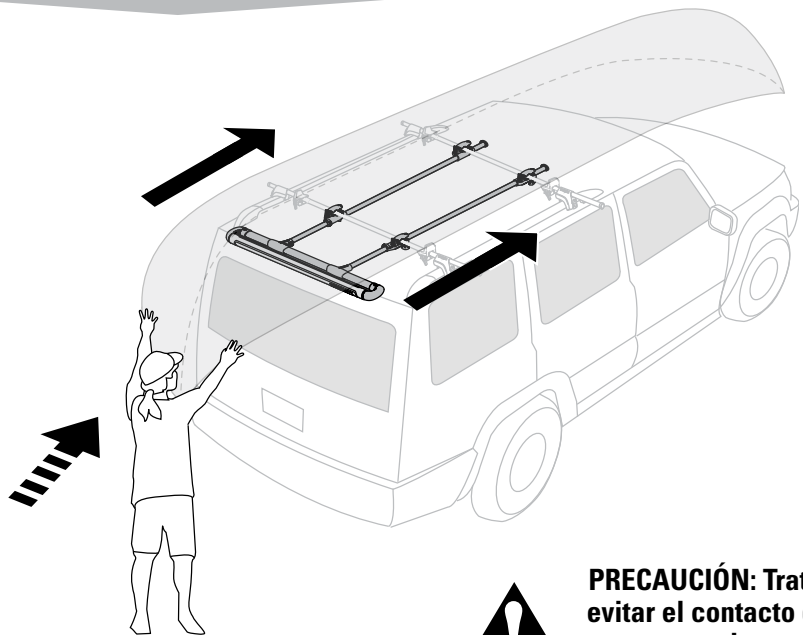
CONSEJO: Para proteger el acabado de su canoa, utilice el dispositivo personal de flotación (PFD) de manera que la canoa permanezca apoyada.



Empuje la canoa sobre el vehículo empleando el rodillo al mismo tiempo que levanta la parte trasera de la embarcación.



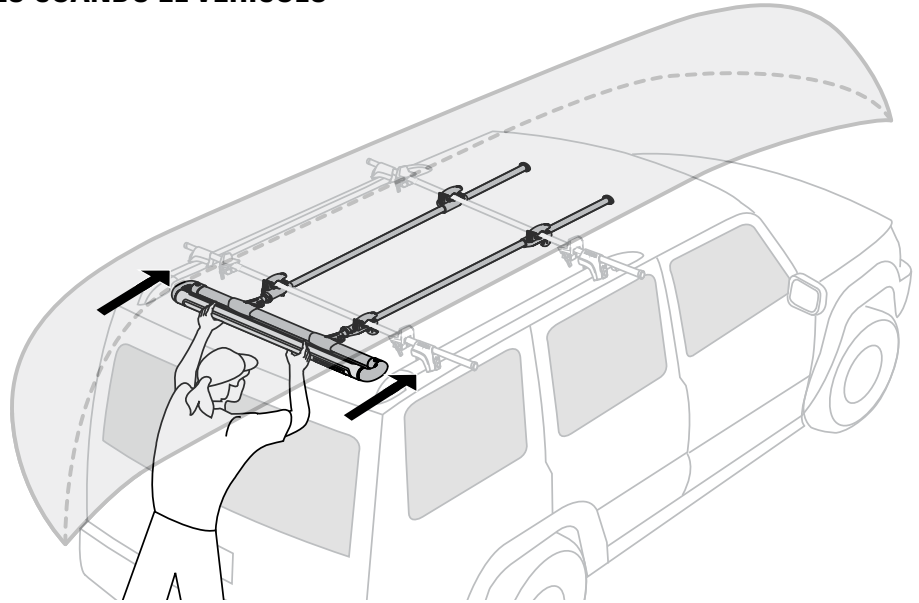
Es posible que se produzca alguna interferencia con las abrazaderas del ShowBoat, las mordazas, los topes Gunwale u otros accesorios de montaje. Ponga mucha atención cuando carga la canoa.



PRECAUCIÓN: Trate de evitar el contacto de la canoa con el travesaño delantero durante la carga.

36 ASEGURE SIEMPRE EL RODILLO CUANDO EL VEHÍCULO ESTÁ EN MOVIMIENTO

Abra las palancas rojas y empuje el rodillo completamente hacia adelante. Cierre las palancas rojas.

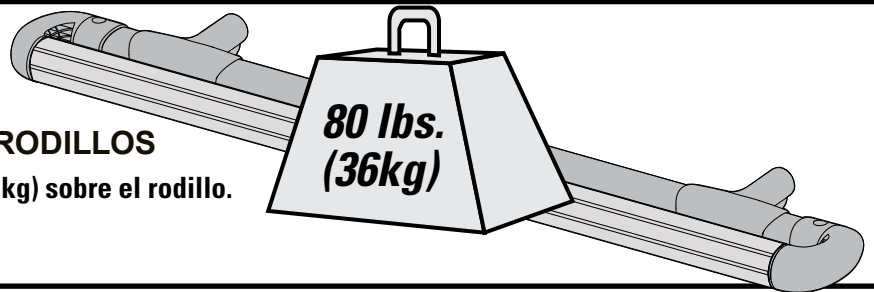


La falta de una fijación adecuada de la embarcación a los montantes, o de la parte delantera y trasera de una carga larga a los extremos del vehículo, puede provocar daños materiales, heridas corporales o la muerte. Consulte las instrucciones para el montaje de accesorios con el fin de proceder correctamente.

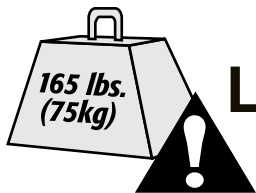


LÍMITE DE PESO DE LOS RODILLOS

- Nunca cargue más de 80 lbs (36 kg) sobre el rodillo.
- Nunca se cuelgue del rodillo.



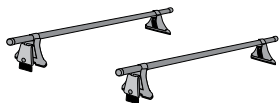
CONSULTE LAS ADVERTENCIAS IMPORTANTES EN LAS INSTRUCCIONES PARA EL MONTAJE DE ACCESORIOS.



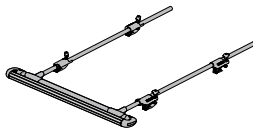
LÍMITES DE PESO

Respete la lista de fijaciones de YAKIMA, o visite el sitio Yakima.com para saber si existen pautas sobre el límite de peso.

PORTAEQUIPAJE DE TECHO



ESTE PRODUCTO (19 LBS / 8,6 KG)



ALGUNOS ACCESORIOS



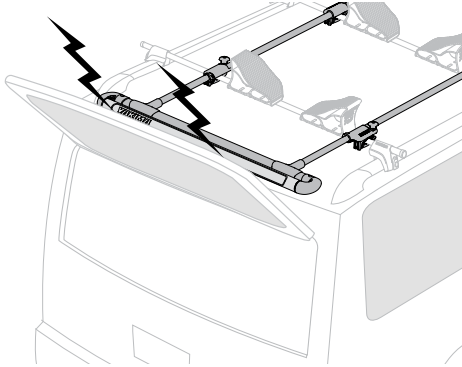
No más de 165 lbs (75 kg), a menos que se indique lo contrario.



CARGA

**SI RETIRA SU PORTAEQUIPAJE, SIGA LAS INSTRUCCIONES
PARA INSTALARLO NUEVAMENTE.**

**Respete las consignas de seguridad incluidas en las instrucciones
de los accesorios antes de cada instalación.**

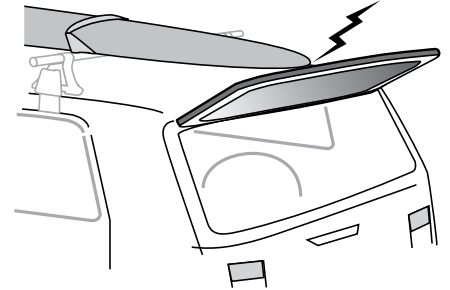


PORTEZUELA TRASERA

**El ShowBoat puede impedir
que la portezuela trasera se
abra completamente.**

**Algunas cargas largas pueden
impedir que la portezuela trasera
se abra completamente.**

**ABRA SIEMPRE LA PORTEZUELA
CON CAUTELA.**



ANTENA

**Quizá sea necesario
quitar la antena del techo
para evitar interferencia
con las cargas largas.**



**ATENCIÓN: CERCIÓRESE DE QUE TODO EL EQUIPO ESTÁ
ASEGURADO SEGÚN LAS INSTRUCCIONES. LAS PIEZAS DE
MONTAJE PUEDEN AFLOJARSE CON EL TIEMPO. VERIFIQUE
ANTES DE CADA USO Y AJUSTE SI ES NECESARIO.**

**MANTENIMIENTO: Use un lubricante no soluble en
agua en los tornillos. Use un paño blando con agua y
detergente suave para limpiar las partes plásticas.**

**QUITE LOS ACCESORIOS ANTES DE ENTRAR EN
UN LAVADERO AUTOMÁTICO DE VEHÍCULOS.**

**SI NECESITA ASISTENCIA
TÉCNICA O REPUESTOS**

**Visite www.yakima.com,
contacte un vendedor o
llame al (888) 925-4621.**

**De lunes a viernes,
de 7:00 AM a 5:00 PM,
hora del Pacífico.**



**Este producto está cubierto por la garantía limitada a vida “mientras
dure el romance” de Yakima. Para obtener una copia de esta garantía,
visítenos en www.yakima.com, envíenos un correo electrónico a
yakwarranty@yakima.com o llámenos al (888) 925-4621.**

**La garantía no es válida si no se respetan las instrucciones, la lista de
fijaciones o las notas sobre los ajustes.**

¡ CONSERVE ESTAS INSTRUCCIONES !