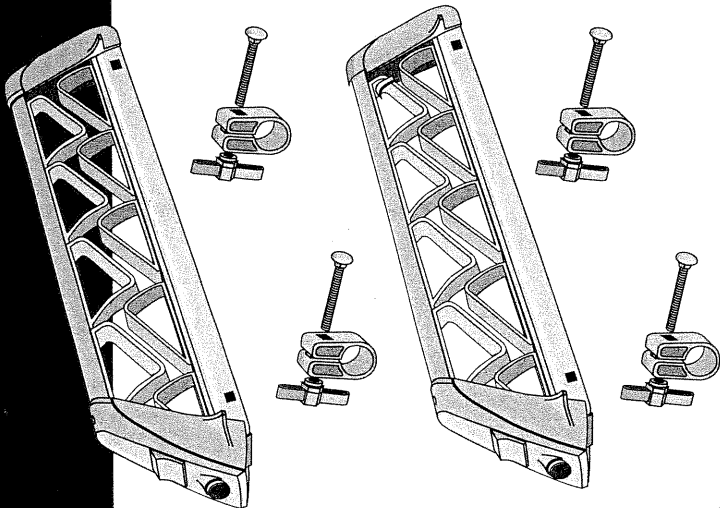
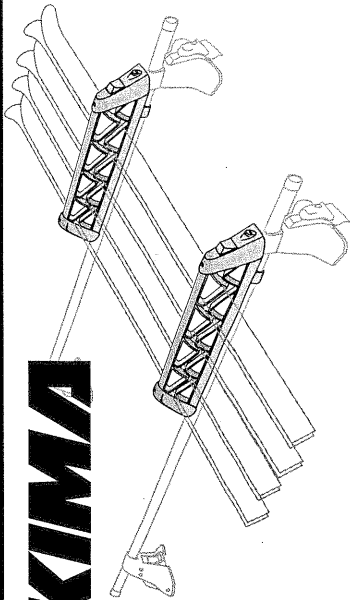
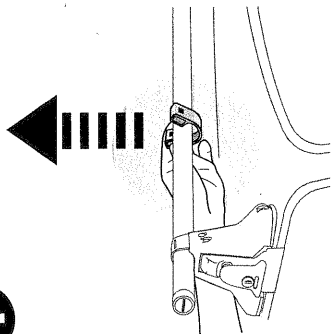


# SkiSlope

# YAKIMA

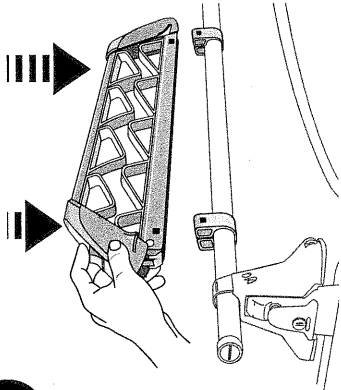


**1**



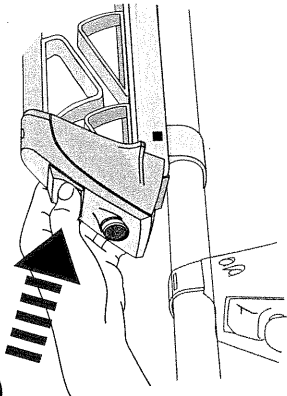
Install the SnapArounds onto the crossbars so they point up.

**2**



With the red button facing you, push the SkiSlope onto the SnapArounds, so the holes line up.

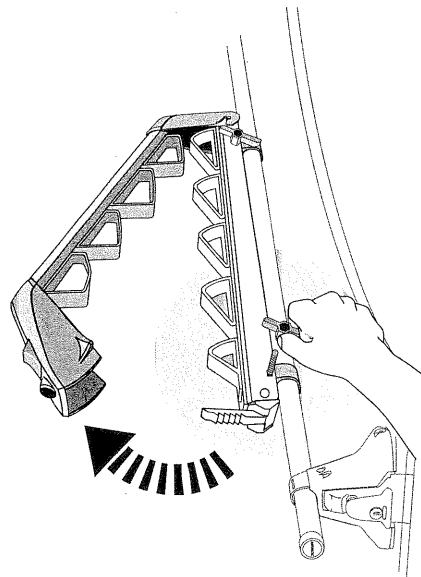
**3**



To open the SkiSlope, push the red button.

**4**

Raise the wing to install bolts and Hex Keys to both SnapArounds.



## WARNING

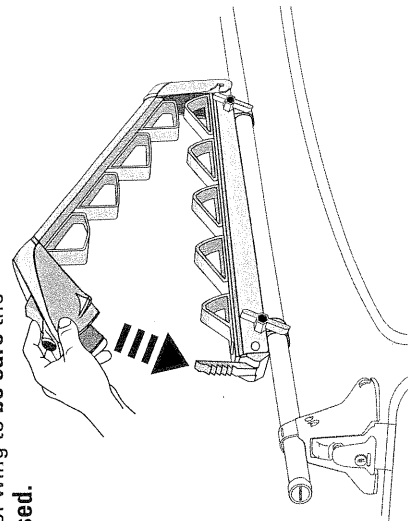
Make sure all 4 Hex Keys are firmly tightened



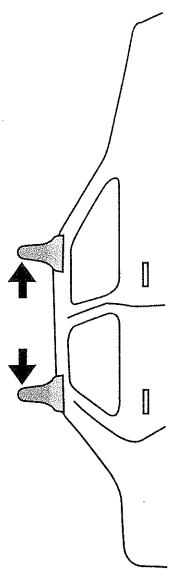
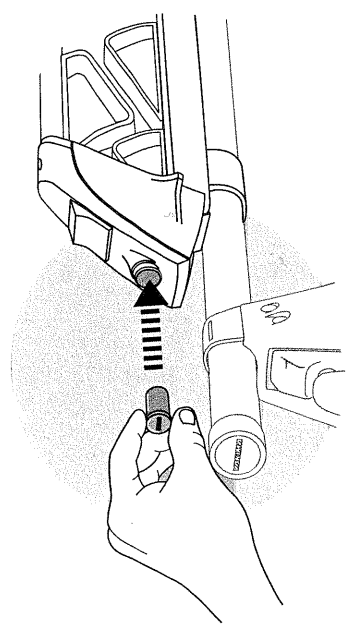
**5**

To close, pull the wing down until the latch clicks securely.

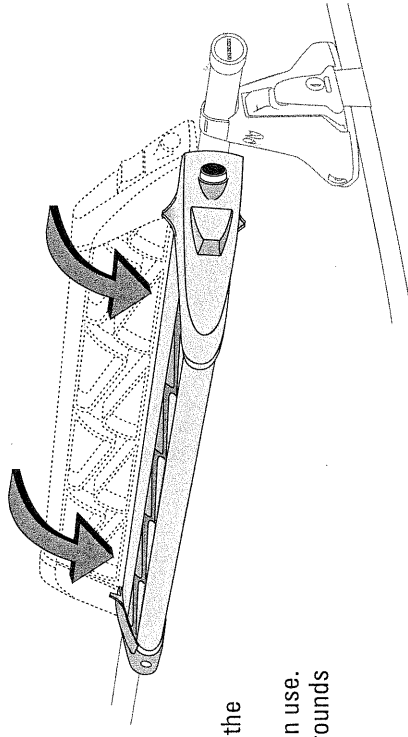
Pull up on end of wing to be sure the SkiSlope is closed.



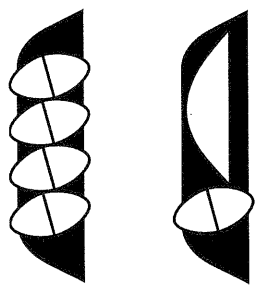
- If you have purchased optional SKS LockCores, follow the instructions that came with the cores and install them in the Lock Housing below the red button.
- For added security, keep SkiSlope locked, with or without skis in place.



- Crossbars must be between 12 and 36 inches apart to install the SkiSlopes.
- With some short skis, crossbars must be close enough to prevent someone from sliding the tail and then the tip of the ski, out of the mount.
- This carrier may be inappropriate for carrying high camber Nordic skis. The ButtonDown 4 or 6, Sport Mount and the SkiWings will carry any ski.



- Installing the SkiSlope inside the towers allows you to rotate it parallel to the roof when not in use. Be sure to loosen the SnapARounds first.
- Retighten SnapARounds.



Up to 4 pairs Alpine

Up to 1 pair Alpine and 1 Snowboard

Listed capacities do not include poles.

Yakima Products ("Yakima") will repair or replace merchandise which proves defective in materials and/or workmanship. The limited warranty is effective for one year from the date of purchase. The limited warranty is applicable only if the Fit List and instructions are followed and the products are used properly. If a customer believes that a Yakima product is defective, the customer must return it to an authorized Yakima dealer with proof of purchase. Yakima will then issue authorization to the dealer for the return of these products. If an article is found to be defective upon inspection by Yakima, Yakima will repair or replace the defective article at its discretion without charge. The customer will pay freight to Yakima, and Yakima will pay any applicable return freight. Unauthorised returns will not be accepted. Normal wear and tear of Yakima products or damage resulting from misuse, accidents, or alterations are not covered by this Limited Warranty. The purchaser acknowledges that Yakima has no control over the attachment of its products to vehicles or the attachment of items to the Yakima products. Accordingly, Yakima cannot assume responsibility for any damage to any property arising out of the improper attachment or use of its products. In addition, this Limited Warranty applies only to Yakima products and not to other products used in conjunction with Yakima products. This Limited Warranty is in lieu of all other warranties, expressed or implied, and does not cover consequential damages of any kind that may arise from the use or misuse of any Yakima product.