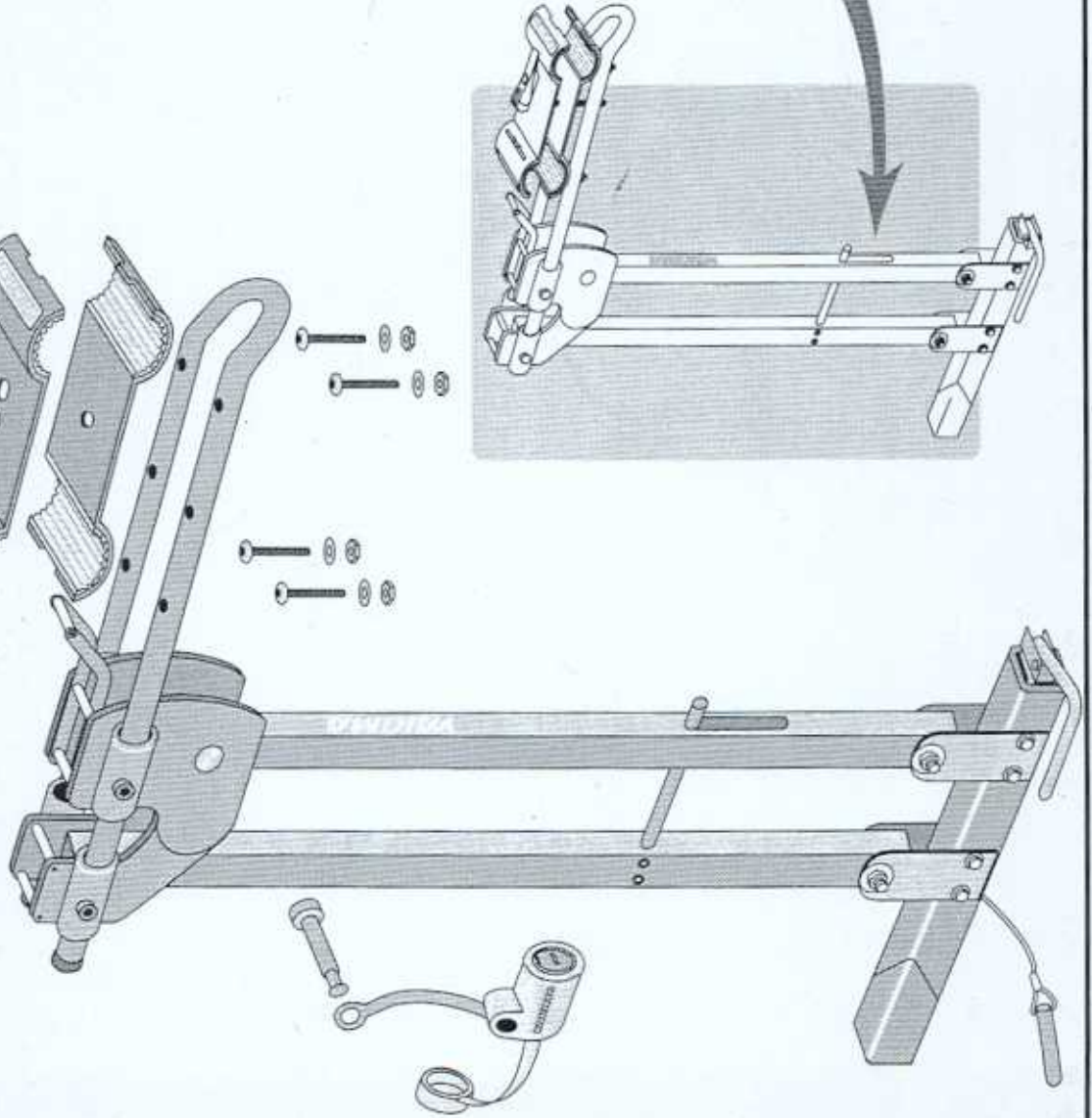


# SUPREME GetAway

# YAKIMA



**TOOLS REQUIRED:**  
1 adjustable-end wrench  
1 Phillips screwdriver



## **! CAUTION:**

**DO NOT USE THE GETAWAY TO CARRY** any carbon frame bicycle. It is possible that the plates could compress and damage the frame.

**BEFORE DRIVING AWAY, TEST** the security of your bikes! You must follow checks (4) after step 21.

**LUBRICATE THE MAIN SPRING OFTEN** using non-water soluble lubricant. Lubricate moving parts often using non-water soluble lubricant.



**1** INSERT base bar into the rear hitch mount.

**DO NOT EXTEND BEYOND THIS LINE**

**BAR MUST BE INSERTED BEYOND THE LINE.**

**SECURE THE INSTALLATION...**

**2** ALIGN HOLES in base and hitch so that safety rod can be inserted from right to left.

**3**

- UNFOLD the crank.
- TURN THE CRANK to tighten the base to the car.

• Close the crank HORIZONTALLY.

**...THEN TEST THE INSTALLATION!**

**IF there is any movement between the hitch receiver and the base bar, tighten the crank EVEN MORE!**

**IF YOU HAVE PURCHASED SKS® LOCK CORES...**

**4** INSTALL SKS® lock core (purchased separately) using core instructions.

**5** With crank HORIZONTAL, insert the Hitch Lock pin through the holes.

**6**

**ATTACH** lock housing to the pin.

**7**

**LOCK** the Hitch Lock to your car.

**8** COVER the lock with the weather resistant cap.

**ASSEMBLE THE UPPER & LOWER BIKE-SUPPORT PLATES.**

**9** ON THE LOWER PLATE, lift the vinyl pads to reveal 4 round holes, insert bolts.

*Note: LOWER PLATE DOES NOT have decal anywhere on it!*

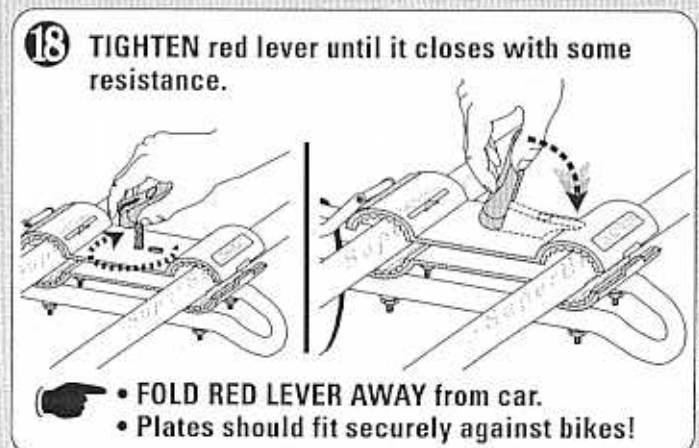
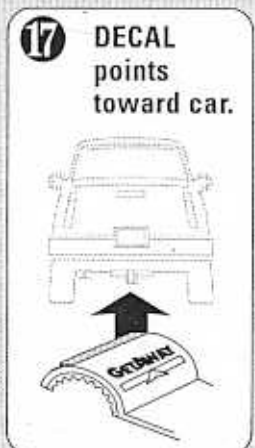
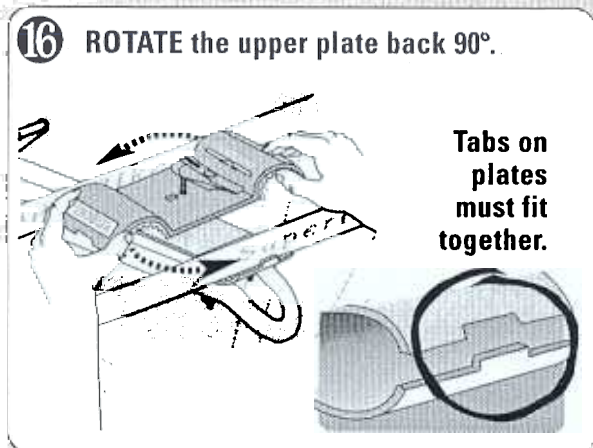
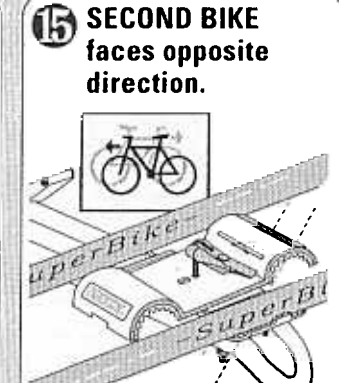
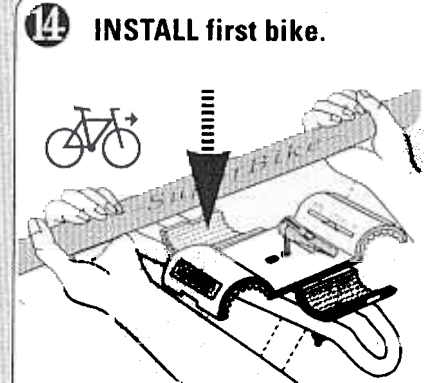
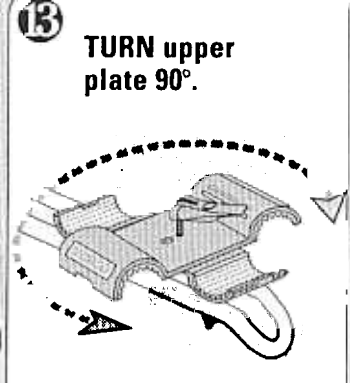
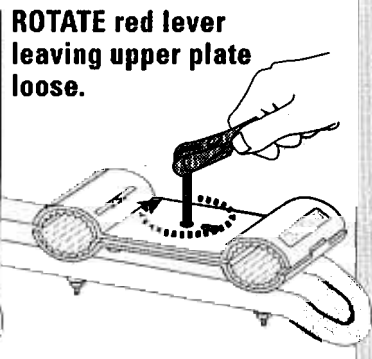
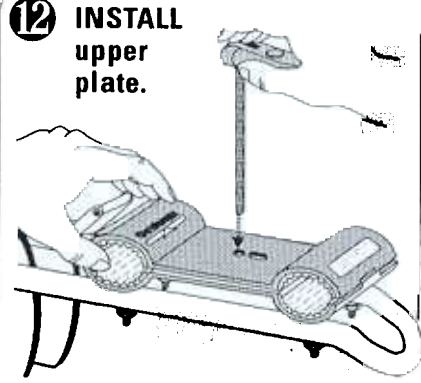
**10** With all four bolts fully inserted under vinyl pads, align bolts with holes in support bar.

**TAB IN LOWER PLATE** must be directed away from car.

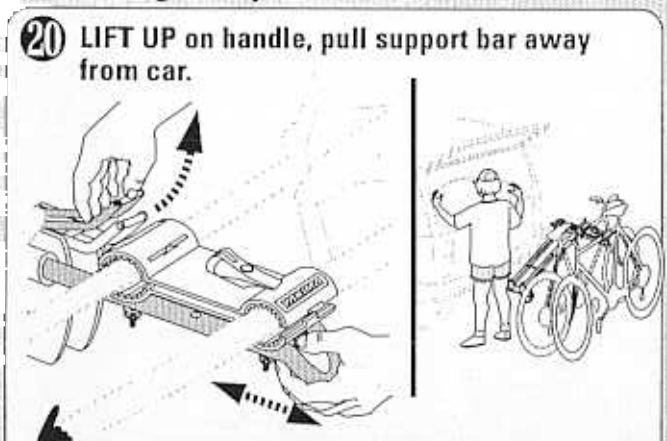
**11** ATTACH WASHERS & NUTS.

Tighten using phillips head screwdriver and an adjustable wrench.





**REAR CARGO ACCESS:**  
➤ KEEP SMALL CHILDREN AWAY during this procedure!



If handle seems stuck... grab the black support bar and push or pull gently until handle releases.



Check for security by tugging on black support bar.

- ! CHECK ALL HARDWARE BEFORE DRIVING AWAY!**
- ✓ Hitch is tight to car? Step 1-3, do test.
  - ✓ Plates secure to bikes? Step 18
  - ✓ Closed red lever? Step 18
  - ✓ Top-release handle is engaged with bikes in vertical position? Step 21, check security.



Faint, illegible text, possibly a list of items or a table of contents.



Faint text, possibly a date or reference number.



**LIMITED WARRANTY:** Yakima Products ("Yakima") will repair or replace merchandise which proves defective in materials and/or workmanship. The limited warranty is effective for one year from the date of purchase. The limited warranty is applicable only if the Fit List and instructions are followed and the products are used properly. If a customer believes that a Yakima product is defective, the customer must return it to an authorized Yakima dealer with proof of purchase. Yakima will then issue authorization to the dealer for the return of these products. If an article is found to be defective upon inspection by Yakima, Yakima will repair or replace the defective article at its discretion without charge. The customer will pay freight to Yakima, and Yakima will pay any applicable return freight. Unauthorized returns will not be accepted. Normal wear and tear of Yakima products or damage resulting from misuse, accidents, or alterations are not covered by this Limited Warranty. The purchaser acknowledges that Yakima has no control over the attachment of its products to vehicles or the attachment of items to the Yakima products. Accordingly, Yakima cannot assume responsibility for any damage to any property arising out of the improper attachment or use of its products. In addition, this Limited Warranty applies only to Yakima products and not to other products used in conjunction with Yakima products. This Limited Warranty is in lieu of all other warranties, expressed or implied, and does not cover consequential damages of any kind that may arise from the use or misuse of any Yakima product.