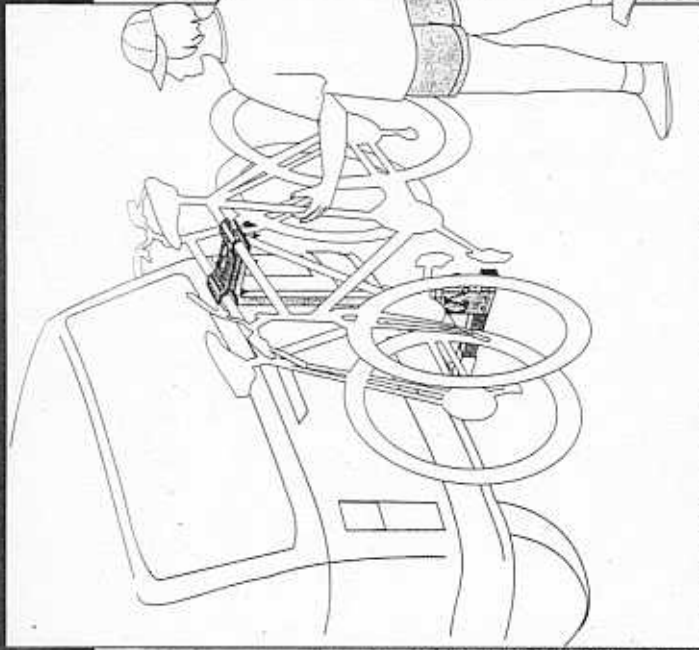


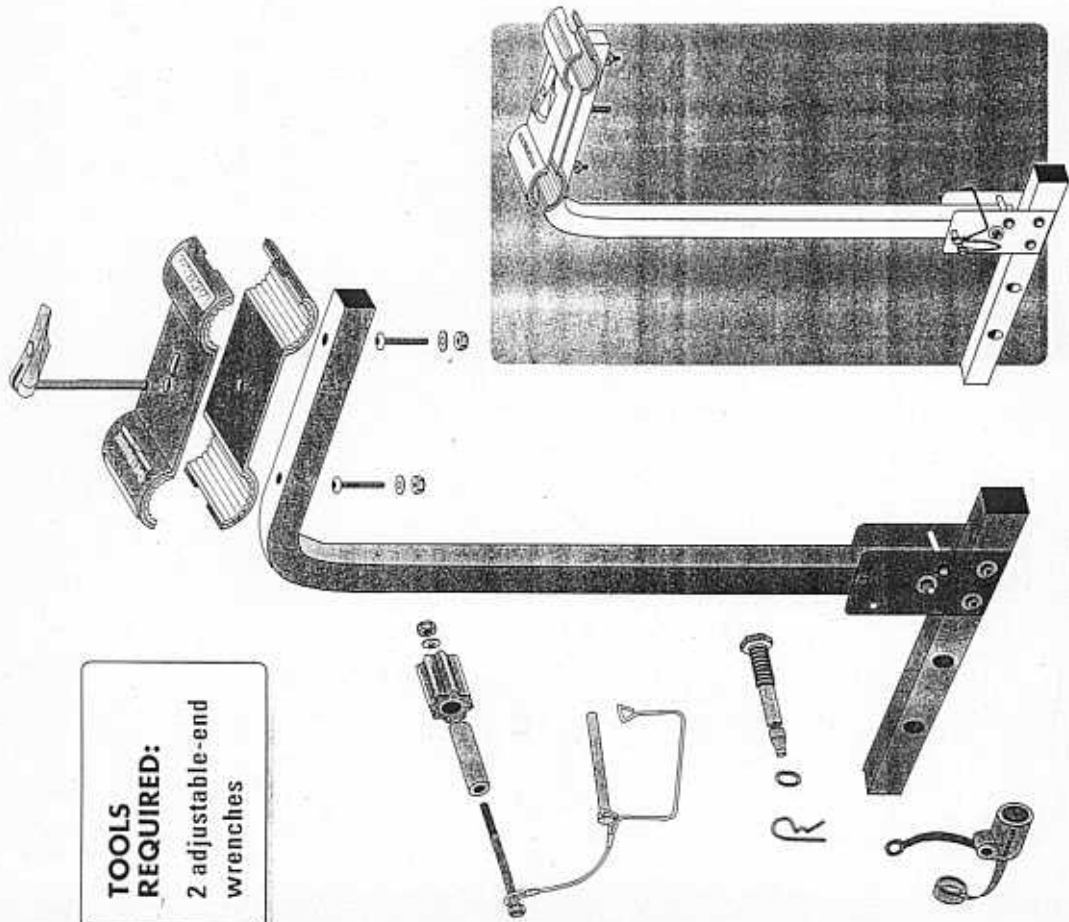


# The GetAway

# YAKIMA



**TOOLS  
REQUIRED:**  
2 adjustable-end  
wrenches



**CAUTION:**  
**BEFORE DRIVING AWAY, TEST the security of your bikes!**  
If there is any play between the bike frames and the plates, open the red lever, retighten, and close.  
**DO NOT USE THE GETAWAY TO CARRY any carbon frame bicycle.**  
It is possible that the plates could compress and damage the frame.

Revised 1/99

Part # Y030332 Rev A

**1** ASSEMBLE stopper & core.

**2** UNFOLD ARM.

INSTALL stopper.

**3** INSERT stopper bolt.

**4** Add washer and nut.

**5** SECURE bolt head, tighten nut.

**6** INSTALL BASE TO HITCH.

**7** INSERT hitch bolt and washer.

TIGHTEN the bolt.

**IMPORTANT NOTE:** If you have purchased SKS® lock cores, you do not need the safety clip in step 8 ...GO TO STEP 9.

**8** SECURE hitch bolt with safety clip.

**9** Use lock instructions to install SKS® Lock.

ATTACH lock to hitch pin and lock it.

COVER lock with weather-resistant cap.

**10** ALIGN HOLES in arm so that safety rod can be inserted.

**11** SECURE rod with safety wire.

**12** LIFT vinyl pads and insert bolts into the SQUARE holes.

Note—**LOWER PLATE DOES NOT have a decal anywhere on it!**

**13** ATTACH plate to arm.

TAB IN LOWER PLATE must be directed away from car.

**14** ATTACH washers and nuts using a wrench.

**15** Install upper plate.

ROTATE RED LEVER leaving upper plate loose.

**16** TURN the upper plate 90°.

**17** INSTALL first bike.

**18** SECOND BIKE faces opposite direction.

**19** Rotate plate 90° again.

Tabs on plates must fit together.

**20** DECAL points toward car.

**21** TIGHTEN red lever, until lever folds with some resistance.

- FOLD RED LEVER AWAY from car.
- Plates should fit securely against bikes.

**22** Install optional SKS® lock using lock instructions.

**REAR CARGO ACCESS: Remove Bikes.**

Release safety rod, arm moves forward.

Secure safety rod before driving away!

**MAINTENANCE:**

Apply non-water soluble lubricant to moving parts often, especially after exposure.

**! CHECK ALL HARDWARE BEFORE DRIVING AWAY!**

- ✓ HITCH BOLT INSTALLED? Step 7
- ✓ SAFETY WIRE IS LATCHED? Step 11
- ✓ PLATES ARE SECURE to bikes? Step 20
- ✓ RED LEVER CLOSED? Step 20

**CONGRATULATIONS!**

... now get away and go have some FUN!

**YAKIMA**

## **L I M I T E D   W A R R A N T Y**

**Yakima Products ("Yakima") will repair or replace merchandise which proves defective in materials and/or workmanship. The limited warranty is effective for one year from the date of purchase. The limited warranty is applicable only if the Fit List and instructions are followed and the products are used properly. If a customer believes that a Yakima product is defective, the customer must return it to an authorized Yakima dealer with proof of purchase. Yakima will then issue authorization to the dealer for the return of these products. If an article is found to be defective upon inspection by Yakima, Yakima will repair or replace the defective article at its discretion without charge. The customer will pay freight to Yakima, and Yakima will pay any applicable return freight. Unauthorized returns will not be accepted. Normal wear and tear of Yakima products or damage resulting from misuse, accidents, or alterations are not covered by this Limited Warranty. The purchaser acknowledges that Yakima has no control over the attachment of its products to vehicles or the attachment of items to the Yakima products. Accordingly, Yakima cannot assume responsibility for any damage to any property arising out of the improper attachment or use of its products. In addition, this Limited Warranty applies only to Yakima products and not to other products used in conjunction with Yakima products. This Limited Warranty is in lieu of all other warranties, expressed or implied, and does not cover consequential damages of any kind that may arise from the use or misuse of any Yakima product.**