

HITCH FIT TIPS

GETTING THE PERFECT FIT

Yakima designs our products with the goal of fitting all vehicles. Our engineers do such a good job at this that Yakima hitch products fit the vast majority of cars with no issues at all.

Just to be certain, we have included this handy guide to ensure that Yakima hitch products will fit your car. If you have any questions or concerns, visit your local dealer to “try on” a Yakima rack.

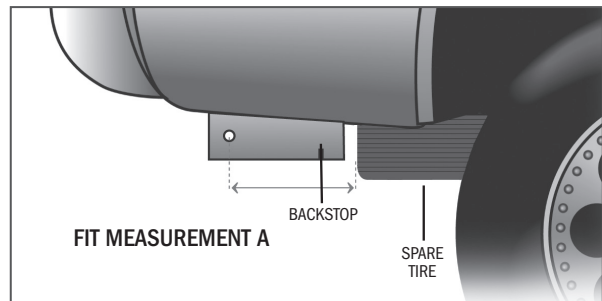
CHECK YOUR DEPTH

To ensure proper fit, it's important to know the depth of your receiver. Determine this by doing the following:

- With a ruler inserted in the receiver, measure from the center of the hitch mounting hole to the point where you make contact with an obstacle. This is **Fit Measurement A**.
- If you do not contact a back-stop or your hitch receiver does not have a backstop, another potential point of contact could be an undercarriage-mounted spare tire or the undercarriage itself.
- Using the table below, compare your measurement to see which hitch racks will work with your vehicle. **Your Fit Measurement A must be equal to or greater than the product measurement listed in the table below for a proper fit.**

↙ GREATER THAN OR EQUAL TO THIS MEASUREMENT FITS

YAKIMA RACK	FIT MEASUREMENT A
BIGHORN 1.25"/ 30 mm	Min. 1.5"/ 38 mm
BIGHORN 2"/ 50 mm	Min. 3"/ 76 mm
DOUBLEDOWN 2/4/5	1.6"/ 41 mm
DOUBLEDOWN ACE 2/4/5	1.6"/ 41 mm
FULLSWING	1.5"/ 38 mm
FULLTILT 4/5	3"/ 76 mm
HIGHLITE	Min. 1.5"/ 38 mm
HOLDUP 1.25"/ 30 mm	Min. 2"/ 51 mm
HOLDUP 2"/ 50 mm	Min. 3"/ 76 mm
KINGPIN 2/4/5	Min. 1.5"/ 38 mm
RIDGEBACK 2/4/5	1.5"/ 38 mm
STICKUP	Min. 2"/ 51 mm
SWINGDADDY	Min. 3"/ 76 mm



HITCH TYPE & COMPATIBILITY

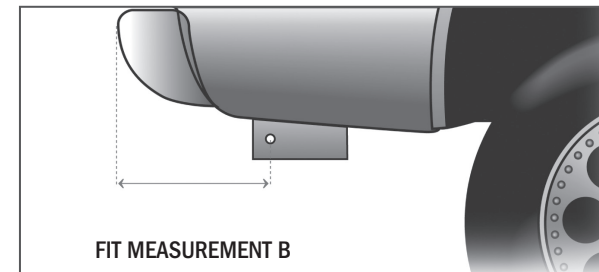
CHECK YOUR BUMPER

Make sure your bumper will not interfere with the Yakima hitch rack. Measure the distance from the center of the mounting hole on your hitch to the end of your bumper. This is **Fit Measurement B**.

Your **Fit Measurement B** must be equal to or less than the product measurement listed in the table below for a proper fit.

YAKIMA RACK	FIT MEASUREMENT B
BIGHORN 1.25"/ 30 mm	Max. 11"/ 279 mm
BIGHORN 2"/ 50mm	Max. 10.5"/ 267 mm
DOUBLEDOWN 2/4/5	Max. 9"/ 229 mm
DOUBLEDOWN ACE 2/4/5	Max. 9"/ 229 mm
FULLSWING	5.5"/ 140 mm
FULLTILT 4/5	9"/ 229 mm
HIGHLITE	Max. 8.5"/ 216 mm
HOLDUP 1.25"/ 30 mm	Max. 10"/ 254 mm
HOLDUP 2"/ 50mm	Max. 9"/ 229 mm
KINGPIN 2/4/5	Max. 6"/ 152 mm
RIDGEBACK 2/4/5	Max. 7.5"/ 191 mm
SWINGDADDY	Max. 5.5"/ 140 mm
STICKUP	Max. 7.5"/ 191 mm

LESS THAN OR EQUAL TO THIS MEASUREMENT FITS



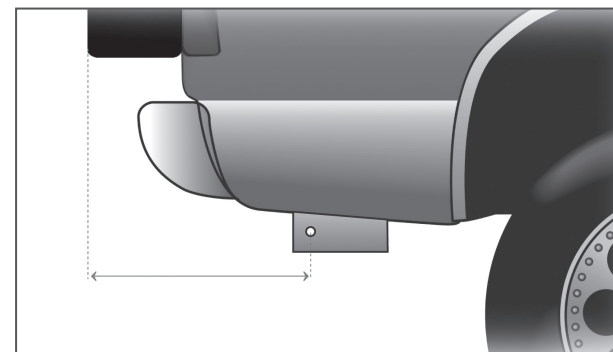
CHECK YOUR SPARE TIRE

If you have a spare tire on the back of your vehicle it may interfere with the installation of your Yakima hitch rack. Measure the distance from the center of the mounting hole on your hitch receiver to the end of your spare tire. This is **Fit Measurement C**.

Your **Fit Measurement C** must be equal to or less than the product measurement listed in the table below for a proper fit.

YAKIMA RACK	FIT MEASUREMENT C
BIGHORN 1.25"/ 30 mm	Max. 11"/ 279 mm
BIGHORN 2"/ 50mm	Max. 10.5"/ 267 mm
DOUBLEDOWN 2/4/5	Max. 8.5"/ 216 mm
DOUBLEDOWN ACE 2/4/5	Max. 8.5"/ 216 mm
FULLSWING	9.5"/ 241 mm
FULLTILT 4/5	10.5"/ 267 mm
HIGHLITE	Max. 8"/ 203 mm
HOLDUP 1.25"/ 30 mm	Max. 9.5"/ 241 mm
HOLDUP 2"/ 50mm	Max. 8.5"/ 216 mm
KINGPIN 2/4/5	Max. 10.5"/ 267 mm
RIDGEBACK 2/4/5	10.5"/ 267 mm
STICKUP	Max. 4.6"/ 117 mm
SWINGDADDY	Max. 9.5"/ 241 mm

LESS THAN OR EQUAL TO THIS MEASUREMENT FITS



HITCH PRODUCT FITS

YAKIMA RACK	HITCH CLASS		
	I 1.25"/ 30 mm HITCH WITH STOP	II 1.25"/ 30 mm HITCH NO STOP	III/IV 2"/ 50 mm HITCH
BigHorn 4 (1.25"/ 30 mm)		✓	
BigHorn 4 (2"/ 50 mm)			✓
DoubleDown 2/4/5	✓	✓	✓
DoubleDown Ace 2/4/5	✓	✓	✓
FlipSide		✓	✓
FullSwing			✓
FullTilt 4/5	✓	✓	✓
Highlite 2, Silver	✓	✓	✓
Highlite 2, White	✓	✓	✓
Highlite 3, Silver	✓	✓	✓
Highlite 3, White	✓	✓	✓
Holdup 1.25"/ 30 mm		✓	
Holdup 2"/ 50 mm			✓
RidgeBack 2/4/5	✓	✓	✓
StickUp		✓	✓
SwingDaddy			✓
KingPin 2/4/5			✓

HITCH SIZE & CLASS INFORMATION

1.25" (30 mm) receivers are class I or II

2" (50 mm) receivers are class III or IV

Class I hitches are rated for a 2000 lb (907 kg) pull weight and a 200 lb (91 kg) tongue weight. (We are concerned with the tongue weight.)

Class II hitches are rated for a 3500 lb (1588 kg) pull weight and 350 lb (159 kg) tongue weight. (We are concerned w/the tongue weight.)

To ensure that class II (heavier) accessories are not used in Class I receivers. Class I receivers are generally built with an internal "stop" to prevent the longer Class II accessories from being used. Not all, but most, common Class I receivers are built with this "stop" feature.

Class I receivers with this stop may not work with some of our racks. DoubleDown (Ace) 2, 4 and 5 typically work fine, as do the recent HighLites. Neither the HoldUp nor StickUp work with Class I receivers.

For more information regarding your hitch, please consult an automotive professional or contact the hitch manufacturer.

*Due to variations in Class I hitch receivers, some Class I receivers may not be able to accept this product.

***NEVER USE YAKIMA
PRODUCTS WITH
A HITCH EXTENDER
OR ON AN RV, CAMPER OR
TRAILER.***

*ONLY use the Yakima adapter that
is included in some products.*