

**MAXIMUM PRODUCT LOAD RATING: 100 kg**



**IMPORTANT:**

- **LOAD = WEIGHT OF PLATFORM or BARS + MOUNTING SYSTEM + ACCESSORIES + CARGO**
- **PLEASE REFER TO VEHICLE MANUFACTURER SPECIFICATIONS FOR MAX ROOF LOAD CAPACITY OF VEHICLE. THE LOWEST LOAD RATING APPLIES.**
- **OFFROAD RATING: SCAN QR CODE FOR LOCKNLOAD LOAD RATING GUIDE. REDUCTIONS MAY APPLY.**



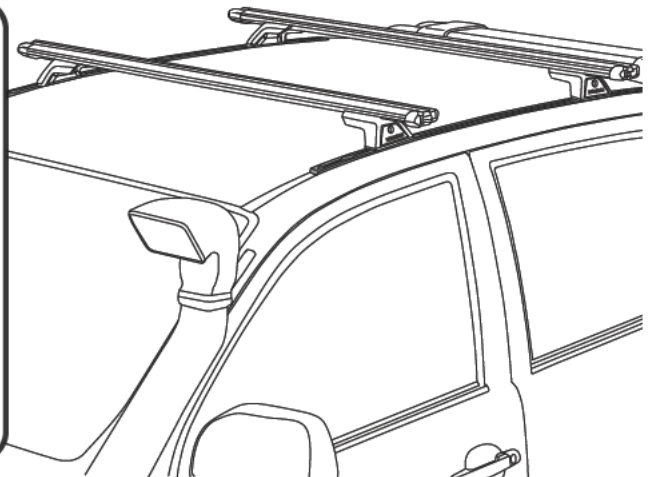
## FIRST TIME INSTALLATION

- Please read instructions carefully before installation.
- Check the contents of kit. Contact your YAKIMA dealer if any parts appear missing or damaged.
- Clean your roof thoroughly prior to fitting the LockNLoad Track Heavy Duty Roof Rack System.
- Place these instructions in the vehicle's glove box after installation is complete.



### TOOLS REQUIRED:

- Marking Pen
- Tape Measure
- Masking Tape
- Drill Bit Stop
- Hammer
- Rivet Gun
- Scissors
- Centre Punch
- Vacuum Cleaner
- Automotive Degreaser
- Automotive Adhesive
- Zinc Rich Cold Galvanising Coating
- Power or Cordless Drill
- Flat Blade Screwdriver
- Mastic Silicone Sealant
- Fine Tooth Hacksaw
- 13 mm Socket or Spanner
- 10 mm Open Ended Spanner
- Rubber Mallet (Optional)
- #2 Phillips Head Screwdriver

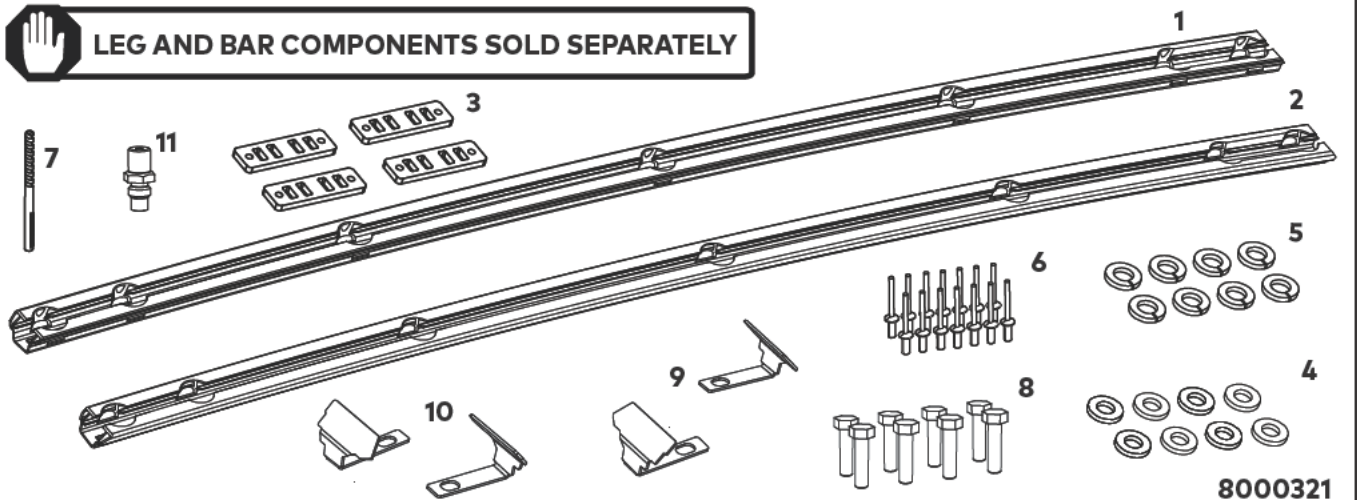


## KIT CONTENTS

ITEM	COMPONENT	QTY	ITEM	COMPONENT	QTY
1.	Track Toyota Hilux Right Hand Side	x1	7.	Drill Bit	x1
2.	Track Toyota Hilux Left Hand Side	x1	8.	M6 Hex Screw	x8
3.	Track Nut Plate	x4	9.	End Cap Front Left & Rear Right	x2
4.	M6 Washer	x8	10.	End Cap Front Right & Rear Left	x2
5.	M6 Spring Washer	x8	11.	Rivet Gun Nozzle	x1
6.	Rivet	x14			



### LEG AND BAR COMPONENTS SOLD SEPARATELY



8000321

# TRACK INSTALLATION

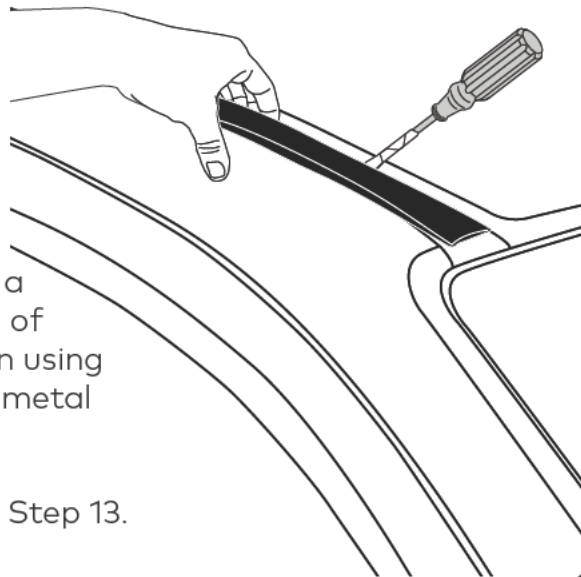
## 1 BEFORE BEGINNING INSTALLATION

Clean roof thoroughly and allow to dry before beginning installation.

### REMOVE ROOF CHANNEL TRIM

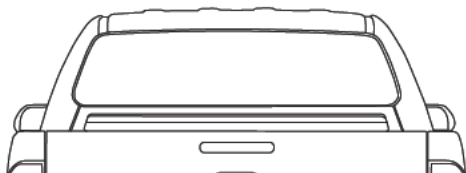
Gently lever the rubber roof channel trim with a Flat Head Screwdriver (wrap tape around end of Screwdriver to prevent paint scratching). Then using fingertips pull upwards and unhook trim from metal clips in roof channel.

Store channel trim in a safe location for use in Step 13.



## 2 TRACK ORIENTATION

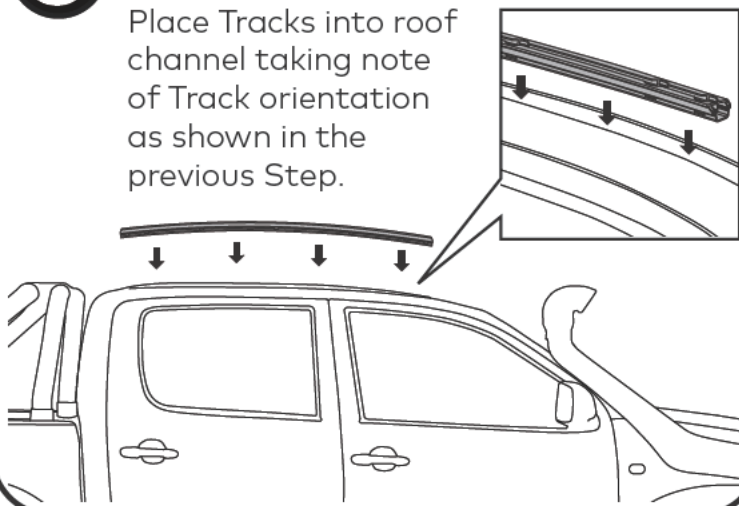
The extrusion on side of Tracks faces **inside of vehicle** as shown, with rectangular cut outs at rear of vehicle.



**NOTE** - image as viewed from rear of vehicle

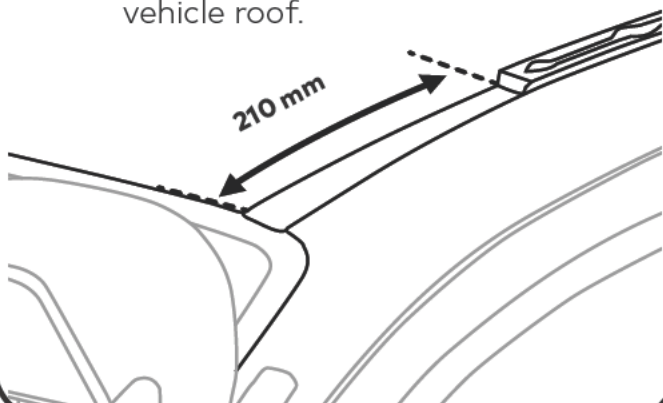
## 3 PLACE TRACKS INTO ROOF CHANNEL

Place Tracks into roof channel taking note of Track orientation as shown in the previous Step.



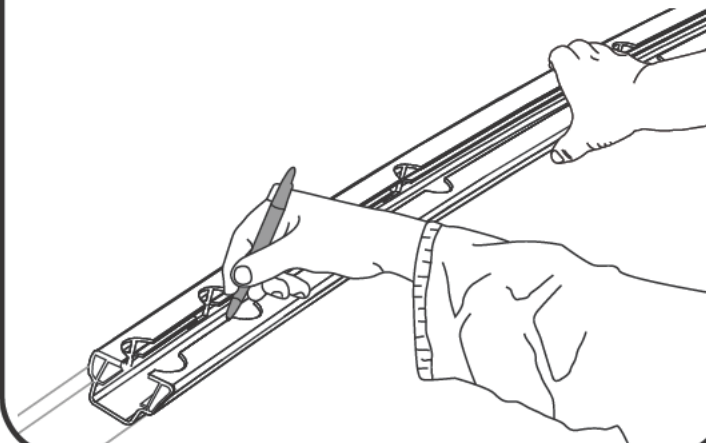
## 4 TRACK MEASUREMENTS

Using a Tape Measure, measure 210 mm from the edge of the windscreen rubber to the start of the Track as shown. Use Masking Tape to mark measurement on vehicle roof.



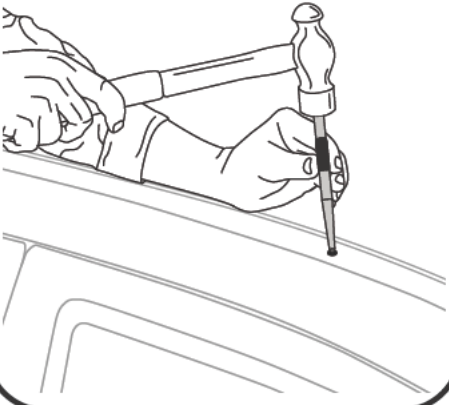
## 5 MARK TRACK HOLES

With the help of an assistant, hold Track down firmly in roof channel and mark all holes using a Marking Pen. Remove Track once complete.



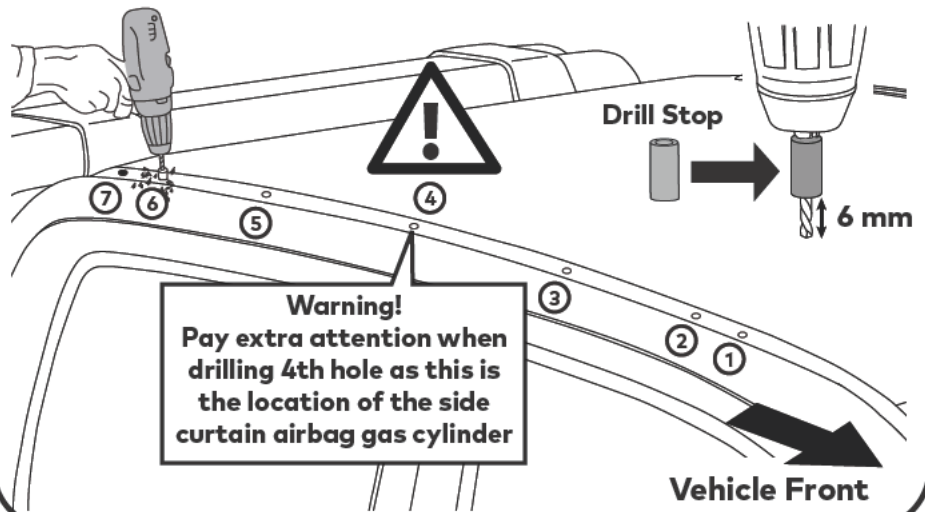
## 6 CENTRE PUNCH HOLES

Using a Centre Punch and Hammer, precisely Centre Punch the holes marked in the previous Step.



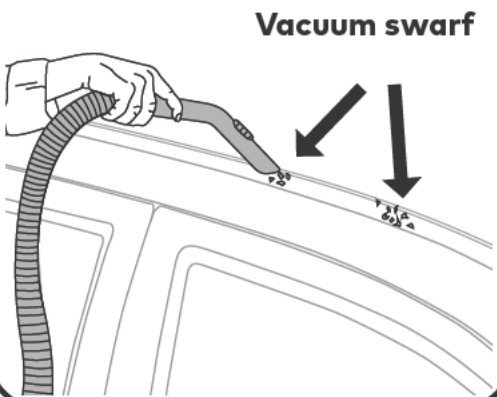
## 7 DRILL ROOF CHANNEL

Using the supplied Drill Bit and a Drill Stop (which allows a maximum drill depth of 6 mm), carefully drill through the marked holes. **Use a Drill Stop to ensure you don't drill through roof lining.**



## 8 REMOVE SWARF

Avoid pushing swarf into the newly drilled holes by removing swarf from roof channel with a Vacuum Cleaner.



## 9 APPLY PROTECTIVE SEALANTS

### Stage 1

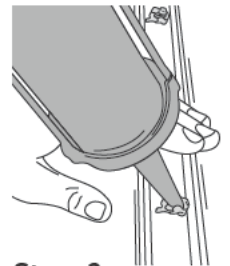
Liberaly apply a Zinc Rich Cold Galvanising Solution to the inside surface and surrounds of each drilled hole. Allow solution to become touch dry before proceeding with Stage 2 (approx. 10 min depending on product used).

### Stage 2

Liberaly apply a Mastic Silicone Sealant to the inside surface and surrounds of each hole.



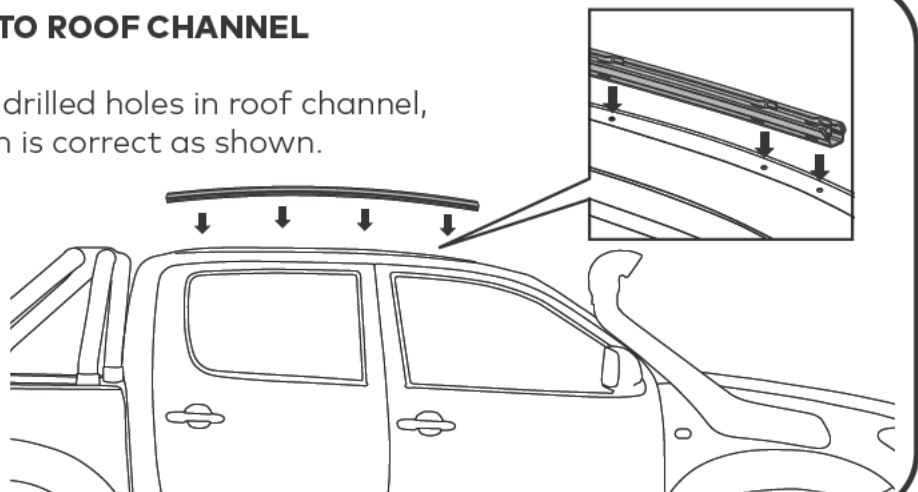
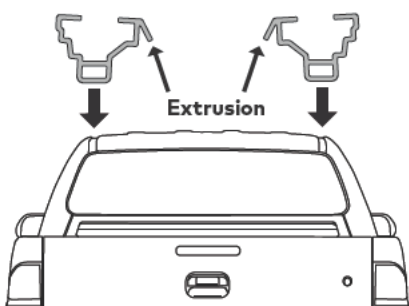
**Stage 1**  
Apply liberaly in and around holes



**Stage 2**  
Apply liberaly in and around holes

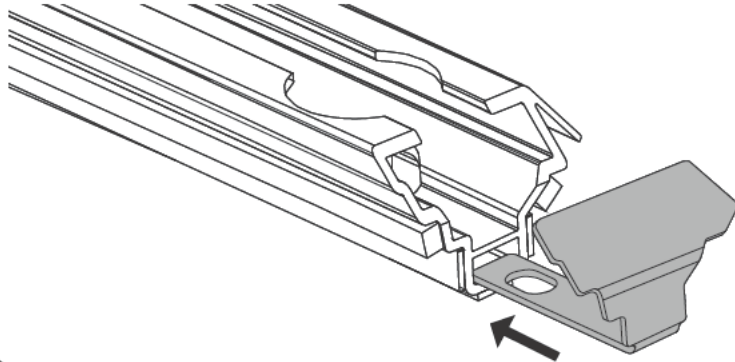
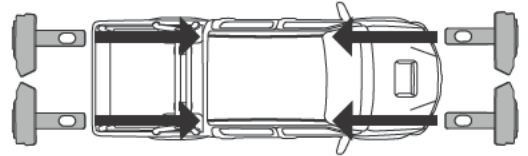
## 10 PLACE TRACKS BACK INTO ROOF CHANNEL

Place Tracks directly over drilled holes in roof channel, ensuring Track orientation is correct as shown.

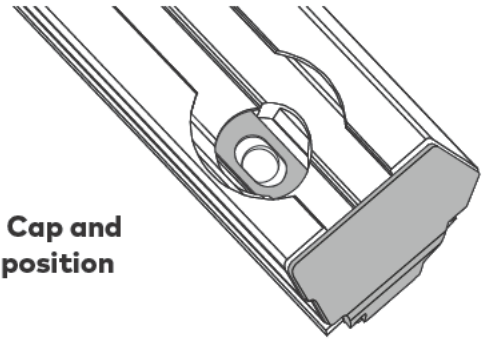


**11****END CAP FITMENT**

Assemble End Caps within Tracks as shown, taking note of End Cap orientation.



**Align End Cap and slide into position**

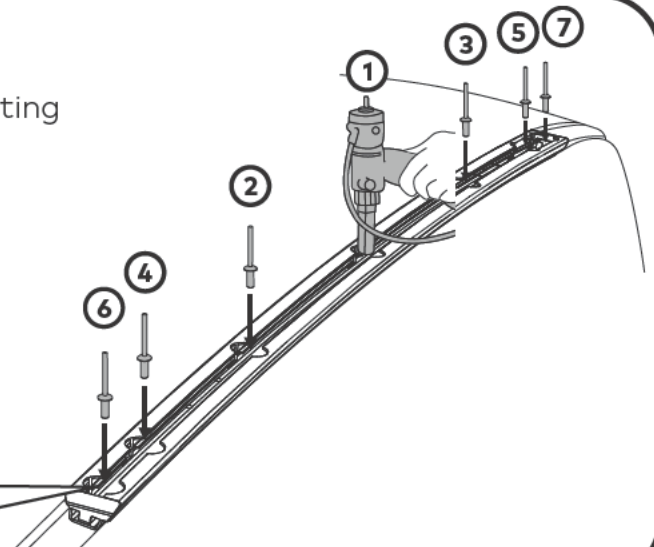
**12****TRACK INSTALLATION**

Align Tracks and secure End Caps by inserting all Rivets through Track into roof channel.

Using a Rivet Gun and the Rivet Nozzle provided, install each Rivet starting from the centre Rivet, then working consecutively outwards as shown.



**To secure End Caps, insert Rivet through End Cap and Track**

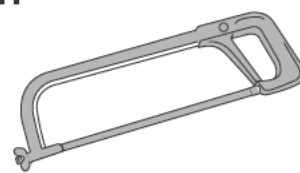
**13****CUT ROOF CHANNEL TRIM TO SIZE AND REFIT**

Thoroughly clean exposed roof channel at front and rear of Tracks using an Automotive Degreaser before refitting roof trim.

To conceal exposed roof channel at front and rear of Tracks, cut to length the original roof trim removed in Step 1.

Measure out the required length by positioning the trim along roof channel. The front needs to be measured so the end of trim sits under windscreen rubber. Use a pencil to mark reference line.

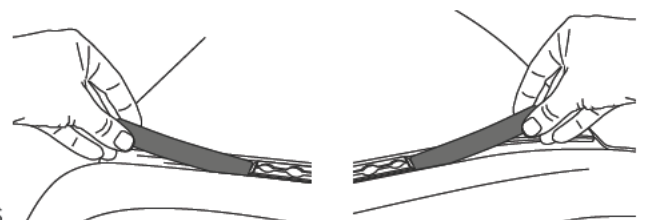
Remove trim from vehicle and cut to length using a Hacksaw. Liberally apply an Automotive Adhesive to roof channel then refit trim pieces. Wipe off any excess adhesive with a damp cloth and allow to dry.



**Use a fine tooth Hacksaw due to metal inside rubber roof trim. Alternatively tin snips can be used**



**Liberally apply an Automotive Adhesive such as Sikaflex**

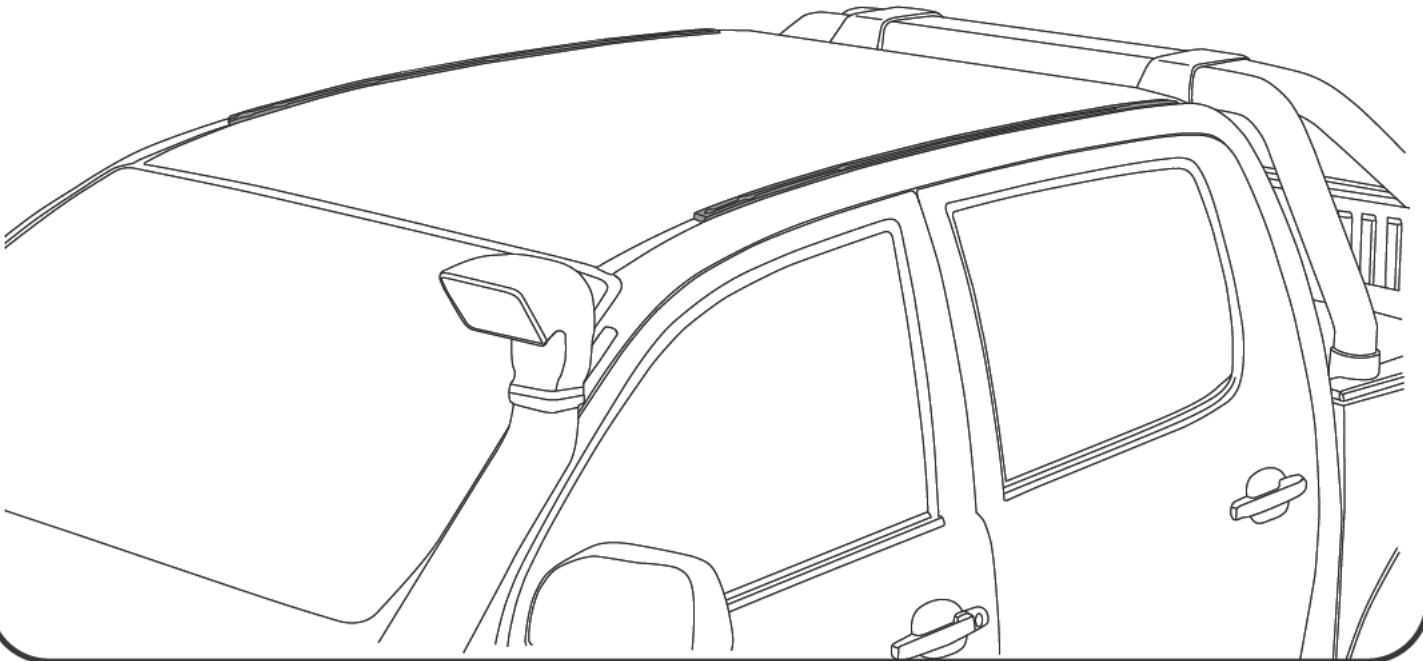


**Rear**

**Front**

**14****TRACK INSTALLATION COMPLETE**

Check both Tracks are secured to the vehicle as per these installation instructions. For assistance contact your local Yakima dealer.



**IF INSTALLING LOCKNLOAD ROOF RACKS, CONTINUE ON TO STEP 15**

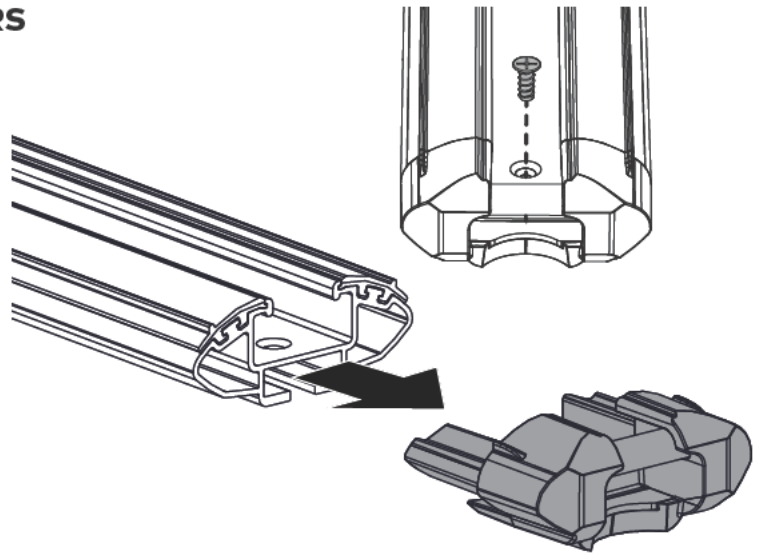
**IF INSTALLING A LOCKNLOAD PLATFORM, SWITCH TO YOUR PLATFORM INSTRUCTIONS**

## BAR INSTALLATION

### 15 REMOVE END CAPS FROM BARS

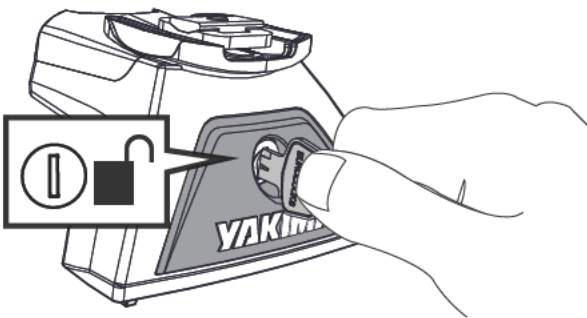
From the LockNLoad Bar Kit (sold separately), remove Plastite Screw from each Bar end using a #2 Phillips Head Screwdriver and pull out End Caps from Bars.

Keep all parts aside for later installation.



### 16 REMOVE LEG COVERS

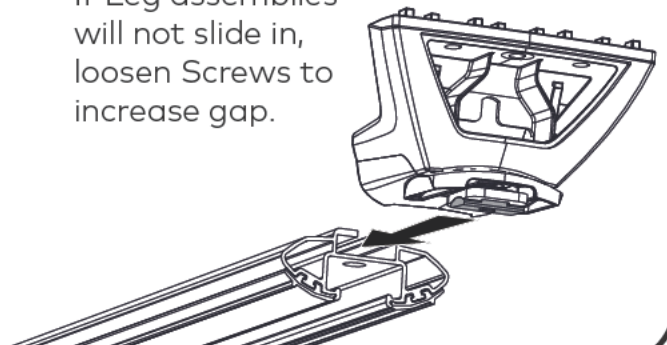
Using the keys supplied in the LockNLoad Leg Kit (sold separately), remove all Leg Covers.



### 17 INSERT LEGS

Slide the pre-assembled Leg assemblies into the underside channel of LockNLoad Bars.

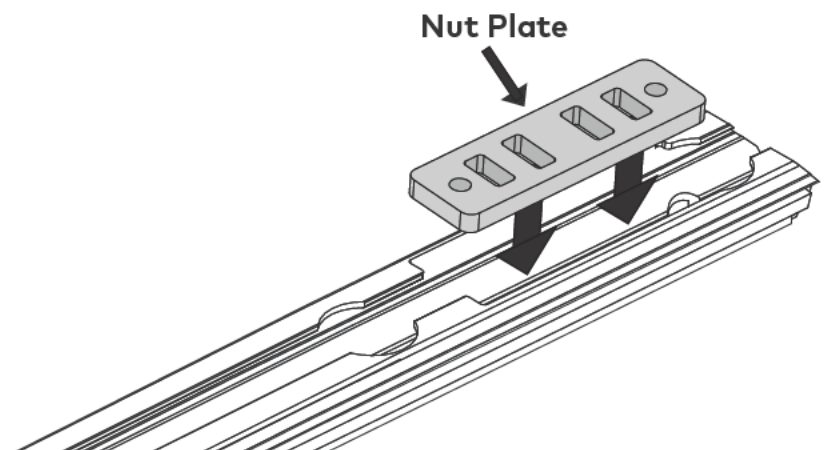
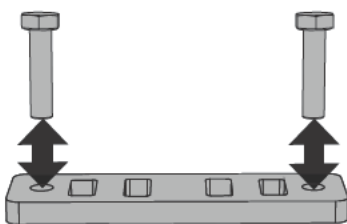
If Leg assemblies will not slide in, loosen Screws to increase gap.



### 18 INSERT NUT PLATES

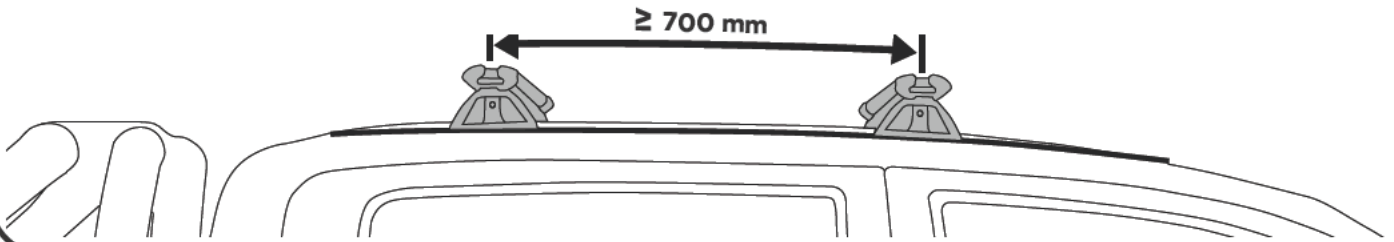
Run all M6 Hex Screws through Nut Plates to remove burrs.

Insert two (2) Nut Plates into each Track as shown.

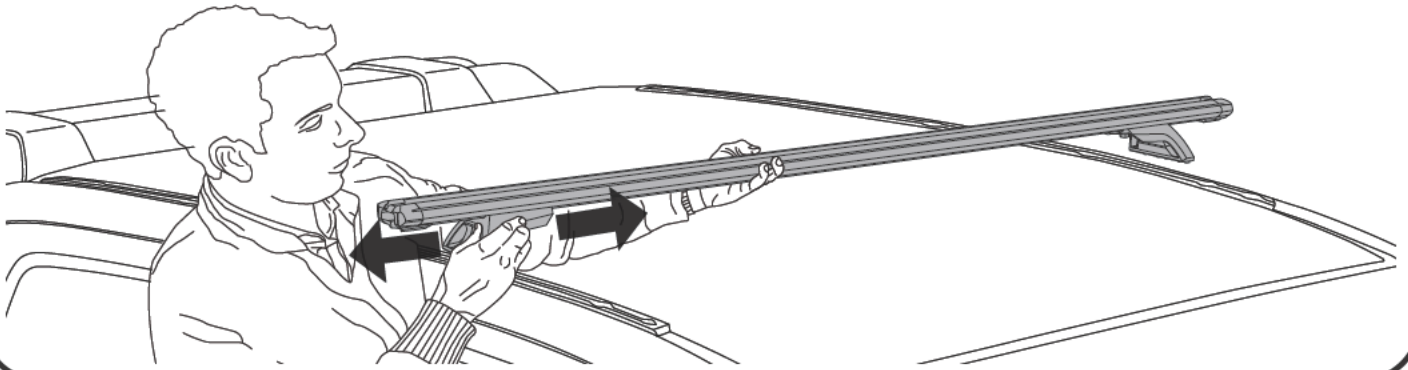


**19****BAR LOCATION**

**IMPORTANT:** Before beginning Bar installation, identify where along the Track you want the Front and Rear Bars fitted. We recommend a minimum of 700 mm between Bars.

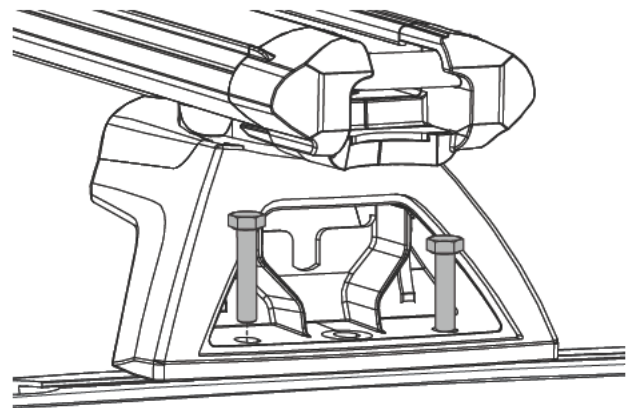
**20****BAR PLACEMENT**

Carefully place a Bar assembly over Nut Plates, ensuring spacing is correct as shown in the previous Step. **Take care not to damage vehicle.** Position Legs along Bar until both legs are securely positioned on Nut Plates within Track.

**21****SECURE BAR ASSEMBLY TO TRACKS**

From the LockNLoad Track Kit, insert 1 x M6 Hex Screw through the two outer holes on Legs into Nut Plate as shown.

Loosely secure Screws using a 5 mm ball end Allen Key.

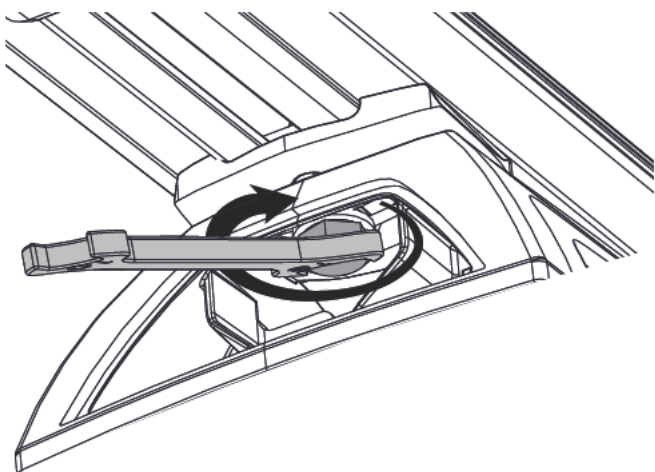
**22****ADJUST BAR OVER HANG**

Use a Tape Measure to ensure even Bar overhang on each side, re-adjust if required by sliding bar along legs.



**23****SECURE LEGS TO BARS**

Tighten all M8 Set Screws to 9 Nm using a 13 mm Spanner.

**24****REPEAT AND REMOVE**

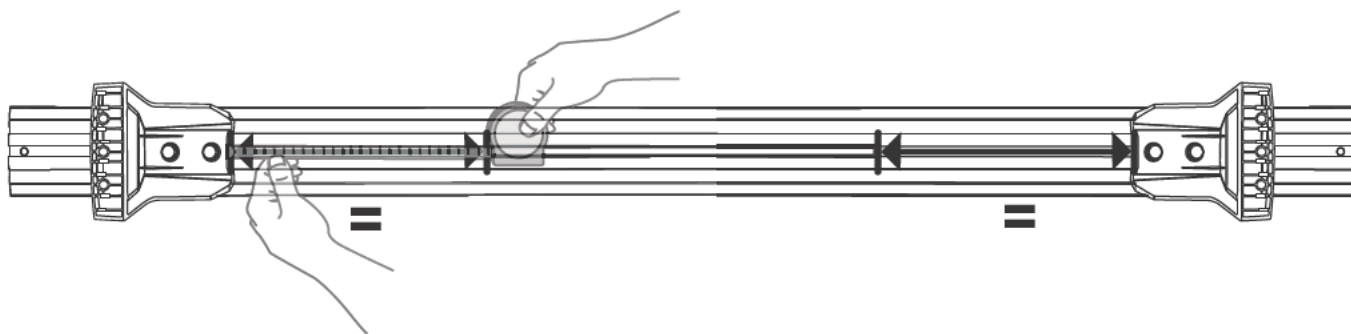
Repeat Steps 20 - 23 for remaining bar assembly.

Carefully remove all Bar and Leg assemblies from vehicle.

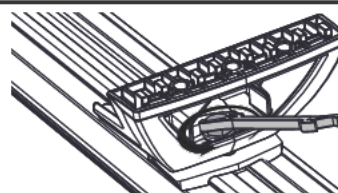
**25****CHECK BAR SLOT MEASUREMENTS**

Place Bar on flat surface with legs facing upwards, as shown. Take appropriate measures to avoid scratching the product and surface.

Identify slot on each Bar end. Using a Tape Measure record Leg to underside slot distance from the Bar used in the previous Step. Ensure measurement is taken from the centre of the Legs as shown.



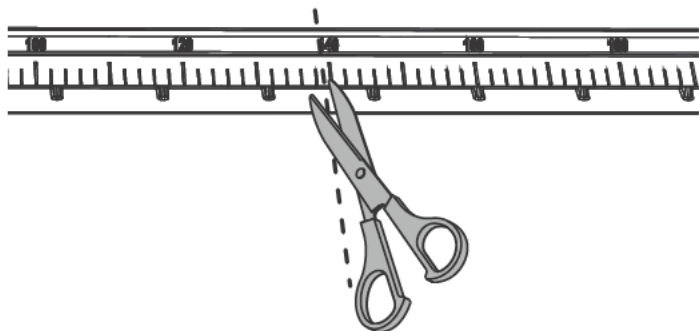
Both ends should be the same measurement, if not, loosen M8 Set Screws and repeat Steps 20-25.



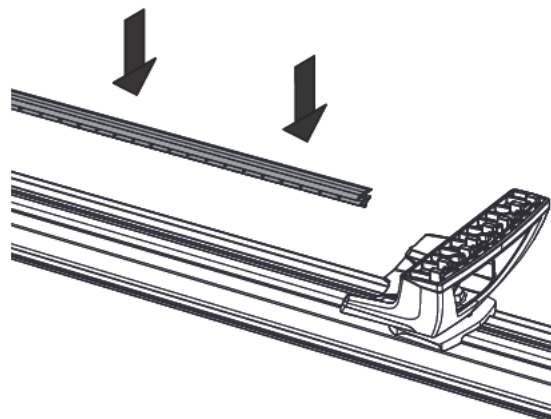


**26****BAR SLOT COVERS (INSIDE LEG)**

From the LockNLoad Bar Kit, cut Bar Slot Covers into four pieces according to the measurement taken in Step 25. Insert into underside channel of front and rear Bar ends as shown.

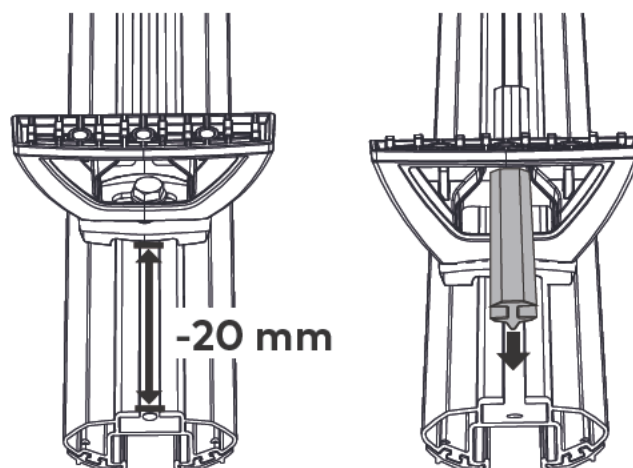


**NOTE** - Bar Slot Covers to be inserted with flat side visible

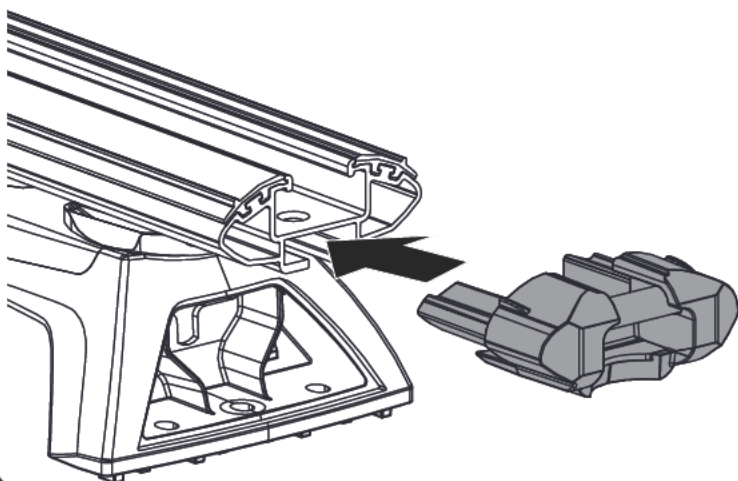
**27****BAR SLOT COVERS (OUTSIDE LEG)**

Measure the Bar channel outside of the Legs and subtract 20 mm from this measurement.

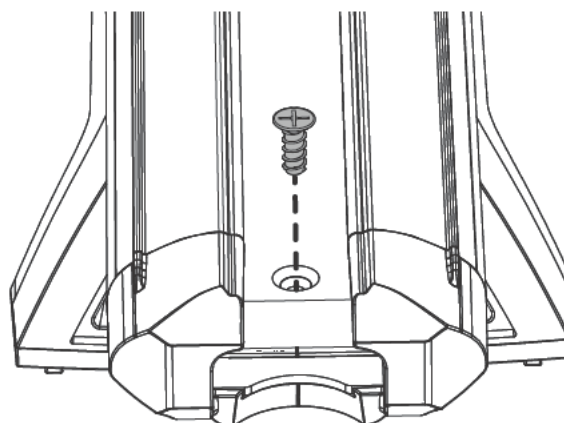
Using the remaining pieces of Slot Cover from the previous Step, cut to this length and press into the underside channel of each Bar end as shown.

**28****SECURE END CAPS TO BARS**

Insert the End Caps as shown. A Rubber Mallet can be used to assist installation.

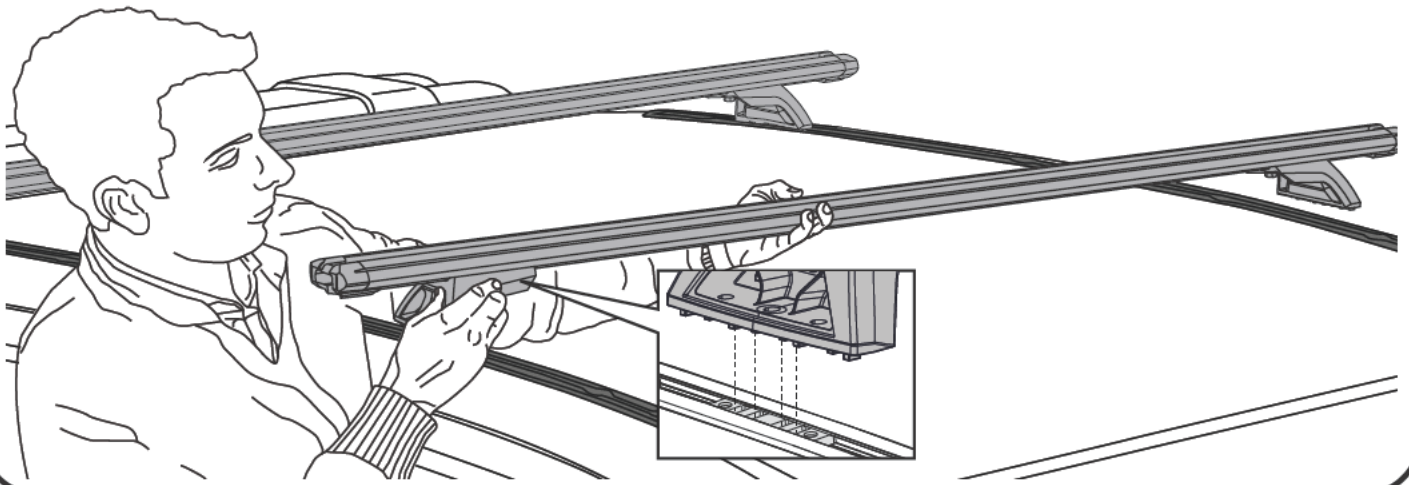
**29**

Secure using Plastite Screw (from LockNLoad Bar Kit). Tighten using a #2 Phillips Head Screwdriver.



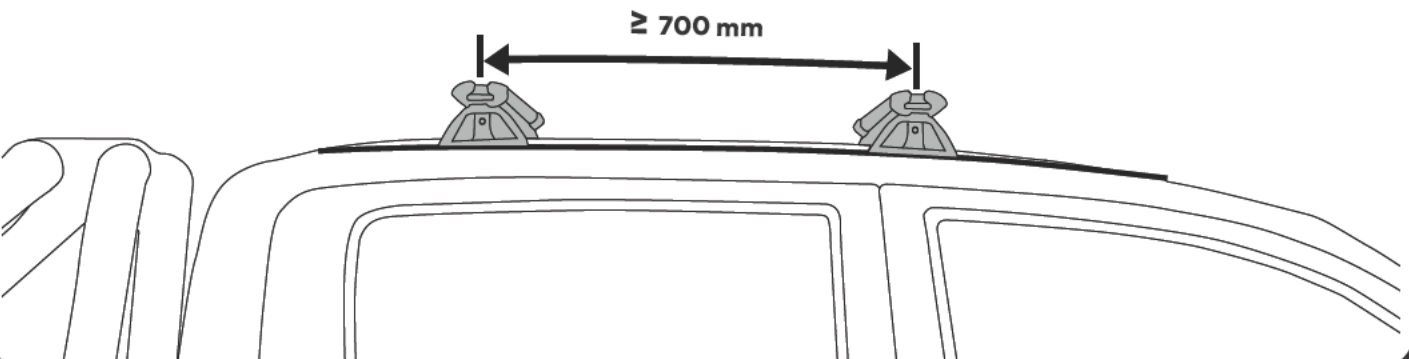
**30****BAR FITMENT**

Slide Nut Plates in Track into position for Bar placement (it doesn't have to be exact). Place Bar assembly onto Tracks, carefully locating the four central raised notches on base of Legs into the cut outs on Nut Plates as shown. **Take care not to damage vehicle.** Repeat for remaining Bar.

**31**

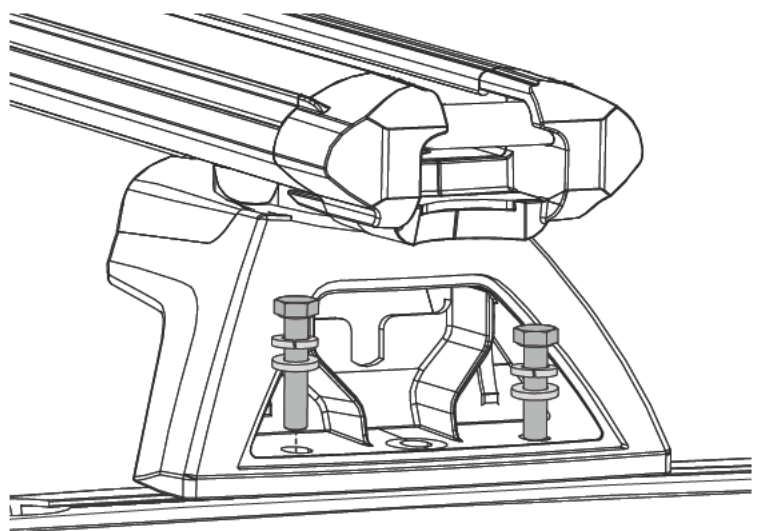
Position front and rear Bars along Tracks as required, ensuring there is a minimum distance of 700 mm between each Bar.

Measure from the centre of each Leg as shown.

**32****M6 HEX SCREW ASSEMBLY**

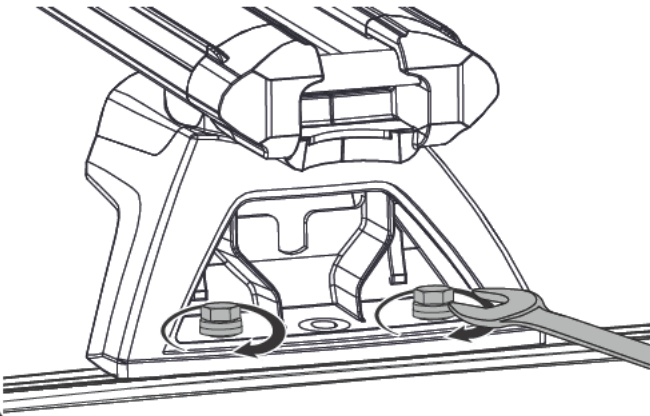
From the LockNLoad Track Kit, assemble 1 x M6 Spring Washer and 1 x M6 Washer onto each M6 Hex Screw.

Insert through the outer holes on Legs into Nut Plates as shown.

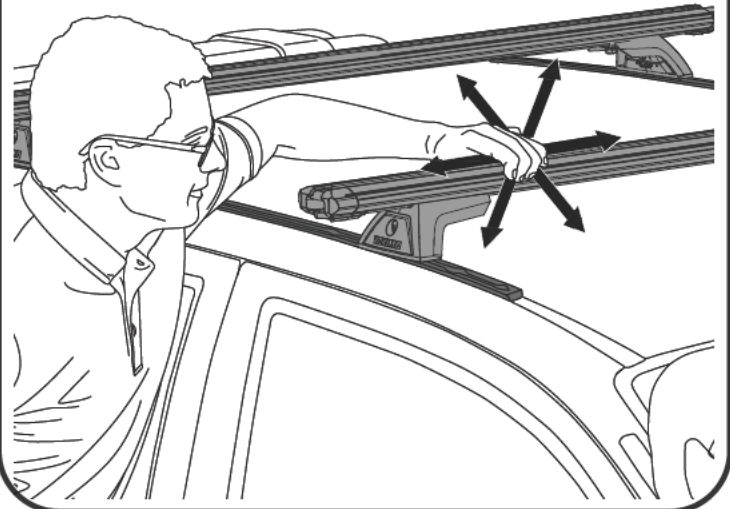


**33****SECURE BARS TO TRACKS**

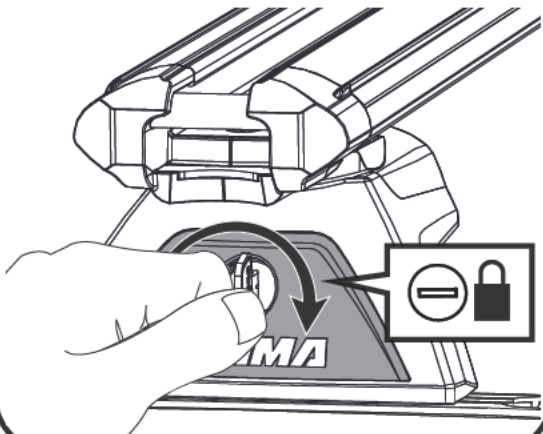
Tighten all M6 Hex Screws to 5 Nm using a 10 mm Open Ended Spanner. **Do not over tighten.**

**34****CHECK BAR LEGS ARE SECURE**

Check all Bar Legs are secure.

**35****FIT LEG COVERS**

Using the keys and Covers supplied in the LockNLoad Leg Kit, fit and lock all Leg Covers.

**36****BAR KEYS**

Place one key on the vehicle key ring and put the other away safely, or store with the spare vehicle key.

Write the key number (which is stamped on the key) in the box provided. Replacement keys are available from Yakima stockists, visit [www.yakima.com.au](http://www.yakima.com.au) or [www.yakima.co.nz](http://www.yakima.co.nz) to find your nearest store or contact us directly on 1800 143 548 (AU) or 0800 4776 722 (NZ).

Key Number:



[www.yakima.com.au](http://www.yakima.com.au)

[www.yakima.co.nz](http://www.yakima.co.nz)

[www.yakima.com](http://www.yakima.com)

[www.yakima.eu](http://www.yakima.eu)

**YAKIMA AUSTRALIA PTY LTD**

17 Hinkler Court  
Brendale, QLD 4500  
Australia  
1800 143 548

**YAKIMA PRODUCTS, INC.**

4101 Kruse Way  
Lake Oswego, OR  
97035-2541  
USA  
888 925 4621

ALL CONTENT SUBJECT TO YAKIMA AUSTRALIA PTY LTD COPYRIGHT © 2016