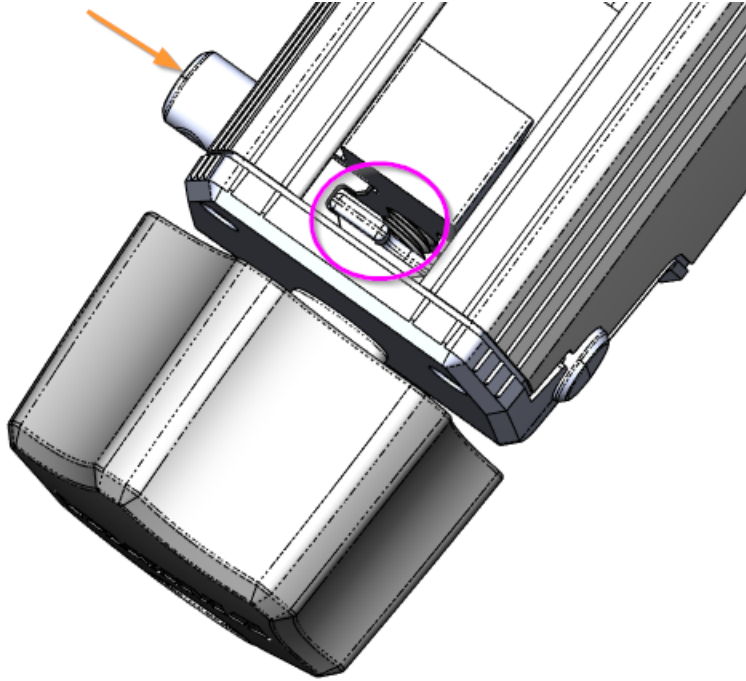
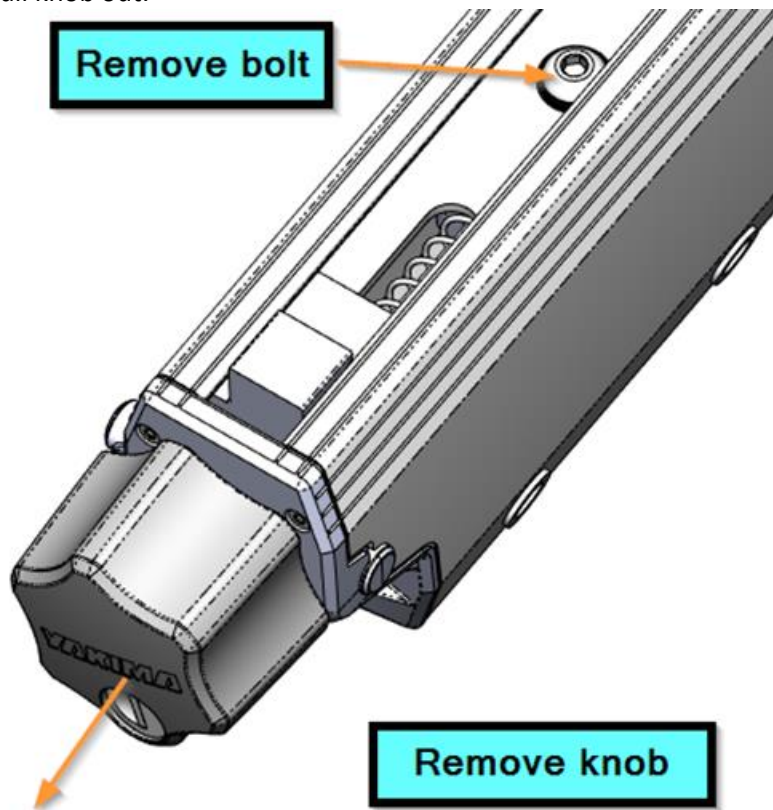


1. Turn knob clockwise all the way in.
2. Place lock button in middle position (not locked or unlocked)



3. Remove bolt in cleat track
4. Pull knob out.



5. Reverse these steps to install.

