

HITCH TYPE & COMPATIBILITY

3. DETERMINE WHAT STYLE HITCH RACK YOU WANT

TILT



Holds bikes by the frame. Tilts down when unloaded to provide rear-of-vehicle access.

Capacity: 2, 3, 4 or 5 bikes

Models: FullTilt, LiteRider, RidgeBack, DoubleDown

SWING

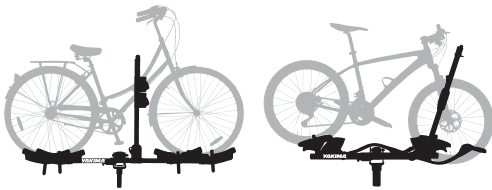


Holds bikes by the frame and swings away with bikes loaded to provide maximum rear-of-vehicle access.

Capacity: 4 bikes

Models: FullSwing, SwingDaddy

TRAY



Tray supports the bike's weight while a soft padded hook holds the bike by the wheels or frame. Tilts down with bikes loaded to provide rear-of-vehicle access.

Capacity: 1, 2, 3 or 4 bikes

Models: Dr.Tray, Dr.Tray with EZ+1, HoldUp EVO, HoldUp EVO with +2, SingleSpeed, TwoTimer, FourTimer, HoldUp, HoldUp with +2

RV-APPROVED



Increased testing, strength and materials to withstand the greater forces seen on the back of RVs and travel trailers. Holds bikes by the frame.

Capacity: 4 bikes

Models: RoadTrip, LongHaul

SWING ADAPTER



Closed



Open

Converts many of our hitch racks, including tray racks, into a swing rack to provide maximum rear-of-vehicle access.

Model: BackSwing

Capacity: 2, 3 or 4 bikes

Weight Limit: 250 lbs

Compatible With: HoldUp EVO, HoldUp EVO with +2, HoldUp, HoldUp with +2, FourTimer, LongHaul, RoadTrip

For the most up to date list of compatible racks, visit www.yakima.com/backswing



Closed



Open

WARNING : Do Not Exceed 250 lb Load Rating For BackSwing

HITCH TYPE & COMPATIBILITY

4. CHOOSE YOUR HITCH RACK

YAKIMA RACK	HITCH CLASS		
	I 1.25" HITCH WITH STOP	II 1.25" HITCH NO STOP	III / IV 2" HITCH
FullTilt 4/5	*	✓	✓
RidgeBack 2/4/5	*	✓	✓
LiteRider 2/3	*	✓	✓
DoubleDown	*	✓	✓
FullSwing			✓
SwingDaddy			✓
Dr.Tray 2"			✓
Dr.Tray 1.25"		✓	
HoldUp EVO 2"			✓
HoldUp EVO 1.25"		✓	
SingleSpeed	*	✓	✓
HoldUp 2"			✓
HoldUp 1.25"		✓	
FourTimer			✓
TwoTimer	*	✓	✓
LongHaul			✓
RoadTrip			✓
BackSwing			✓
LongArm			✓

*Due to variations in Class I hitch receivers, some Class I receivers may not be able to accept this product.

HITCH SIZE & CLASS INFORMATION

1.25" receivers are Class I or II.

2" receivers are Class III or IV.

Class I hitches are rated for a 2,000 lb pull weight and a 200 lb tongue weight.
(We are concerned with the tongue weight.)

Class II hitches are rated for a 3,500 lb pull weight and a 350 lb tongue weight.
(We are concerned with the tongue weight.)

To ensure that Class II (heavier) accessories are not used in Class I receivers, Class I receivers are generally built with an internal "stop" to prevent the longer Class II accessories from being used. Not all, but most, common Class I receivers are built with this "stop" feature.

For more information regarding your hitch, please consult an automotive professional or contact the hitch manufacturer.

HITCH FIT TIPS

GETTING THE PERFECT FIT

5. CHECK THE HITCH FIT

Yakima designs products with the goal of fitting all vehicles. Our engineers do such a good job at this that Yakima hitch products fit the vast majority of cars with no issues at all.

Just to be certain, we have included this handy guide to ensure that Yakima hitch products will fit your car. If you have any questions or concerns, visit your local dealer to “try on” a Yakima rack.

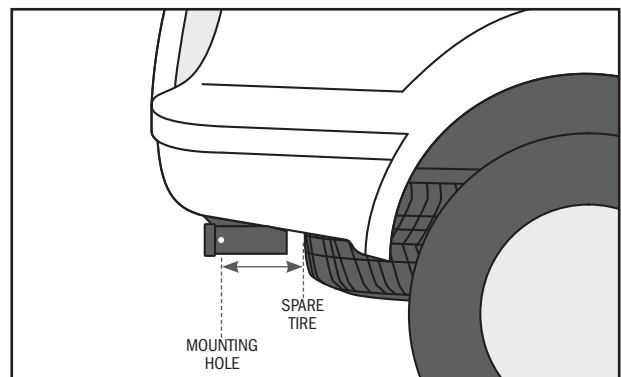
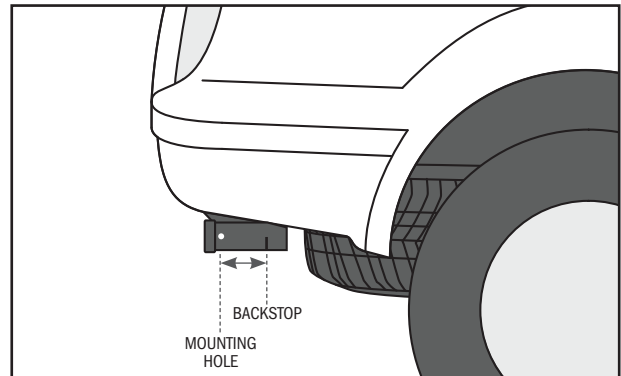
CHECK YOUR DEPTH

To ensure proper fit, it's important to know the depth of your receiver. Determine this by doing the following:

- With a ruler inserted in the receiver, measure from the center of the hitch mounting hole to the point where you make contact with an obstacle. This is Fit Measurement A.
- If you do not contact a backstop or your hitch receiver does not have a backstop, another potential point of contact could be an undercarriage-mounted spare tire or the undercarriage itself.
- Using the table below, compare your measurement to see which hitch racks will work with your vehicle. Your Fit Measurement A must be **equal to or greater than** the product measurement listed in the table below for a proper fit.

YAKIMA RACK	FIT MEASUREMENT A
BACKSWING	3" Min.
DOUBLEDOWN	1.6" Min.
DR.TRAY 1.25"	3" Min.
DR.TRAY 2"	3" Min.
FOURTIMER	2" Min.
FULLSWING	1.5" Min.
FULLTILT 4/5	3" Min.
HOLDUP 1.25"	2" Min.
HOLDUP 2"	3" Min.
HOLDUP EVO 1.25"	3.25" Min.
HOLDUP EVO 2"	3.25" Min.
LITERIDER 2/3	2.5" Min.
LONGHAUL	3" Min.
RIDGEBACK 2/4/5	1.5" Min.
ROADTRIP	3" Min.
SINGLESPEED	2" Min.
SWINGDADDY	3" Min.
TWOTIMER	2" Min.
LONGARM	2.75" Min.

FIT MEASUREMENT A



HITCH FIT TIPS

GETTING THE PERFECT FIT

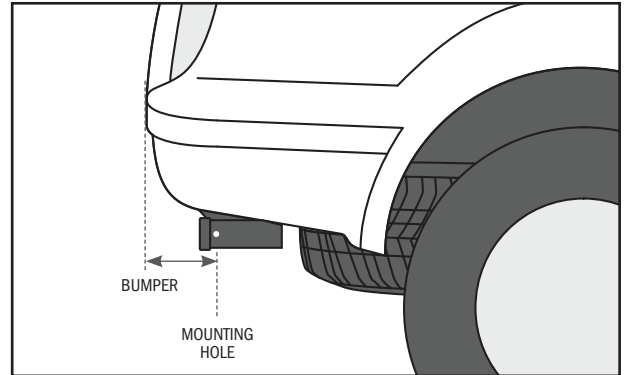
CHECK YOUR BUMPER

Make sure your bumper will not interfere with the Yakima hitch rack. Measure the distance from the center of the mounting hole on your hitch to the end of your bumper. This is Fit Measurement B.

Your Fit Measurement B must be **equal to or less than** the product measurement listed in the table below for a proper fit.

YAKIMA RACK	FIT MEASUREMENT B
BACKSWING	8.5" Max.
DOUBLEDOWN	9" Max.
DR.TRAY 1.25"	6" Max.
DR.TRAY 2"	9" Max.
FOURTIMER	7" Max.
FULLSWING	6.5" Max.
FULLTILT 4/5	9" Max.
HOLDUP 1.25"	10" Max.
HOLDUP 2"	9" Max.
HOLDUP EVO 1.25"	9" Max.
HOLDUP EVO 2"	9" Max.
LITERIDER 2/3	8.5" Max.
LONGHAUL	10" Max.
RIDGEBACK 2/4/5	7.5" Max.
ROADTRIP	10" Max.
SINGLESPEED	11" Max.
SWINGDADDY	6.5" Max.
TWOTIMER	7" Max.
LONGARM	8.5" Max.

FIT MEASUREMENT B



CHECK YOUR SPARE TIRE

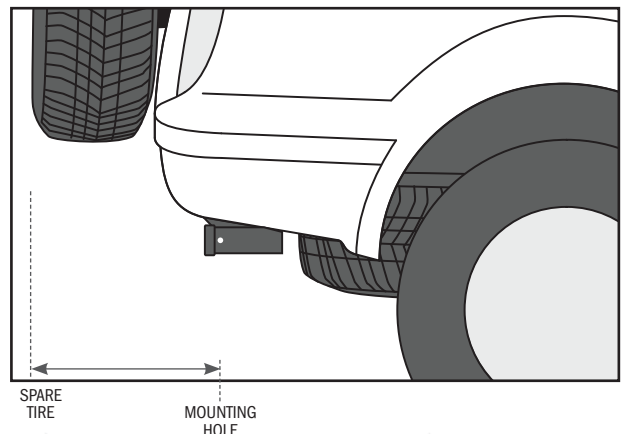
If you have a spare tire on the back of your vehicle, it may interfere with the installation of your Yakima hitch rack. Measure the distance from the center of the mounting hole on your hitch receiver to the end of your spare tire. This is Fit Measurement C.

Your Fit Measurement C must be **equal to or less than** the product measurement listed in the table below for a proper fit.

Interested in using a Tray Rack with a Spare Tire? Check Out the BackSwing Hitch Adapter. See Hitch styles on page 200.

YAKIMA RACK	FIT MEASUREMENT C
BACKSWING	12" Max.
DOUBLEDOWN	8.5" Max.
FULLSWING	9.5" Max.
FULLTILT 4/5	10.5" Max.
LITERIDER 2/3	8" Max.
LONGHAUL	7" Max.
RIDGEBACK 2/4/5	10.5" Max.
ROADTRIP	10" Max.
SWINGDADDY	9.5" Max.
LONGARM	10" Max.

FIT MEASUREMENT C



HITCH FIT TIPS

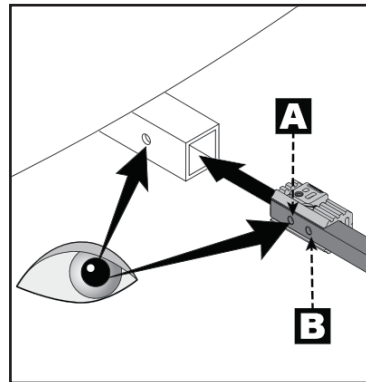
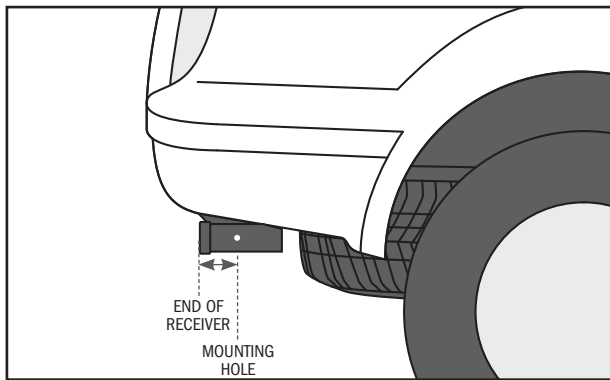
RIDGEBACK PIN HOLE DEPTH

CHECK YOUR PIN HOLE DEPTH

If you have selected a **RidgeBack** bicycle rack, you will need to measure the depth of your receiver's mounting hole to determine which of the pin mounting holes on your RidgeBack's tongue to use.

- If Measurement X is between 1.5" and 2.375" wide, use pin hole B
- If Measurement X is greater than 2.375", use pin hole A
- If Measurement X is less than 1.5", it is considered not to be a fit

FIT MEASUREMENT X



WARNING

Only use Yakima RV-Approved products on the back of RVs and travel trailers. Never use a hitch extender with Yakima products.

SPARE TIRE FITTING INFORMATION



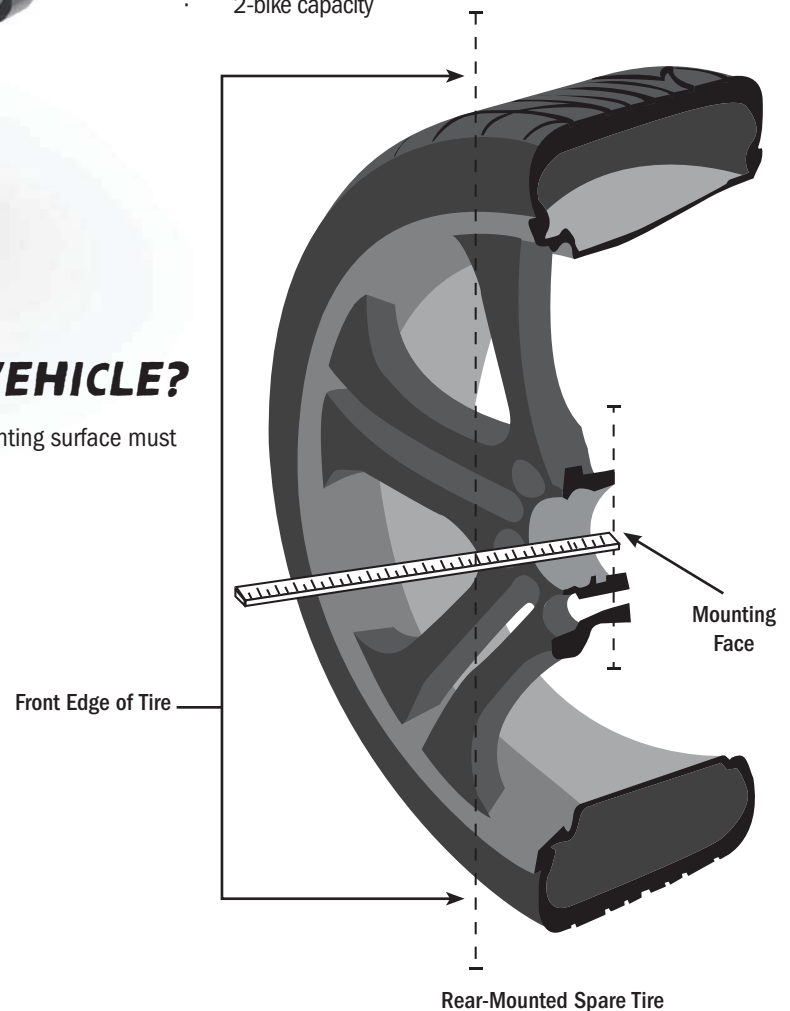
SPARERIDE™

Make that spare tire work for a living—the SpareRide easily attaches to your rear-mounted spare and turns it into a bike rack. Durable, stable and secure, SuperCush™ cradles securely hold and protect your bikes, a bottle opener opens bottles, and integrated SKS locks bum out bike thieves.

- SuperCush ZipStrip™ cradles secure the bikes and make loading and unloading a breeze
- ZipStrips™ secure bikes to the rack and are fully removable
- Anti-sway cradle design minimizes bike-to-bike contact
- Fits nearly any size spare—including oversized truck tires (P195 to P318)
- SKS locking package secures bikes to rack, and rack to vehicle, to help prevent theft
- TireTread™ pads increase wheel clearance, while adding stability and protection
- Steel construction is strong and durable
- Universal mounting plate with extension fits most lug patterns
- Tool-free locking knob for quick installation
- Yakima signature bottle opener lets you enjoy a post-ride cold one
- 2-bike capacity

WILL SPARERIDE™ FIT MY VEHICLE?

- Distance between the front edge of your tire and your mounting surface must be between **1¾" and 6¾"**
- SpareRide fits most factory spare tires and mounts
- Fits most after-market tires up to 12.5" wide
- Works with all common 5- and 6-bolt wheels
- May not work with spare-tire-mounted rear-view cameras



LONGARM TRUCK BED EXTENDER

The LongArm truck bed extender easily extends the length of any truck bed up to 4 feet. Light and strong, the aluminum hitch-mounted rack is the ideal solution for hauling fishing kayaks, boards, lumber, ladders and more. Adjustable to three distinct load-carrying positions and rated to carry up to 300 pounds in lower positions, the LongArm takes your truck bed to the next level.



**Works with 2" hitch receivers only (Class III & up).
Compatible with all mid-size and full-size trucks at all
three load carrying positions.**

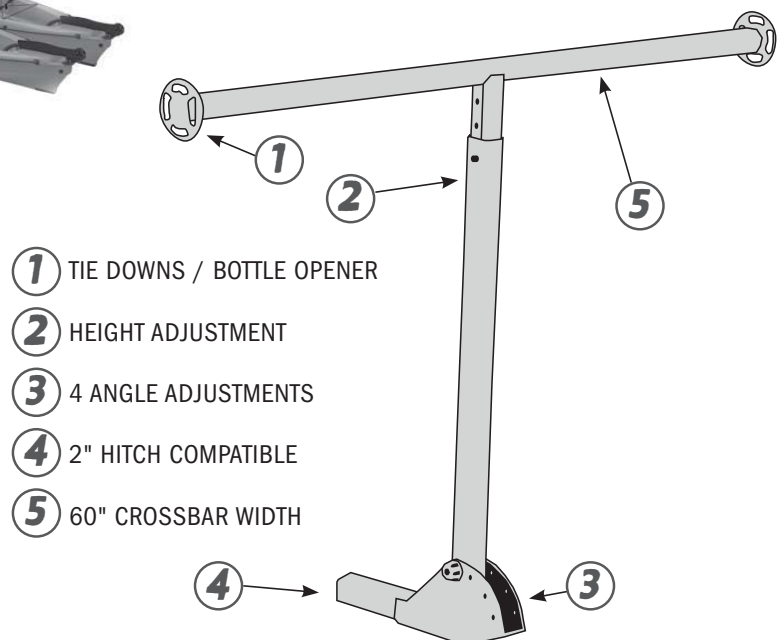


Three positions

1. Bed height (300 lb carrying capacity)
 2. Bed rail height (300 lb carrying capacity)
 3. Truck cab height* (165 lb carrying capacity)
- *with optional LongArm Height Extension



- Use of LongArm at truck cab height position is recommended with a cab mounted roof rack system
- Use of LongArm at bed rail height position is recommended with Yakima BedRock rack system or Tonneau cover
- Reference the Roof, Trunk & Truck Racks section of this Fit List to find what roof rack or BedRock system fits your truck, or check yakima.com/fit for the most up-to-date fit information.



- ① TIE DOWNS / BOTTLE OPENER
- ② HEIGHT ADJUSTMENT
- ③ 4 ANGLE ADJUSTMENTS
- ④ 2" HITCH COMPATIBLE
- ⑤ 60" CROSSBAR WIDTH