



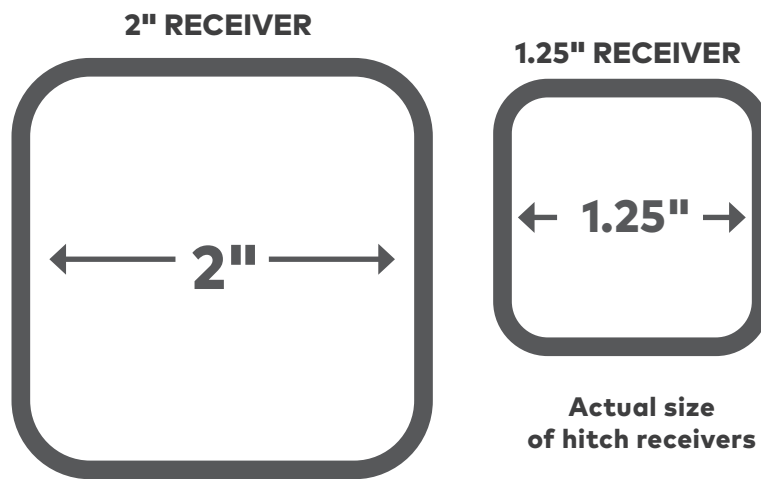
TAKE IT EASY.

Hitch Fit Tips

ENSURING THE PERFECT FIT ON A HITCH RECEIVER

1. Hitch Size Identification

There are two standard sizes of hitch receiver, 2" and 1.25". Your vehicle requires one of these sizes to use any Yakima hitch rack.



2. Hitch Class Identification

Check the sticker on your hitch to determine its class. No Sticker? If your receiver is 1.25" it is either a Class I or II. If it's 2" it is a Class III or IV. Choose a hitch rack that fits your receiver and then double-check the "Hitch Fit Measurements" on the next page (p. 31) to ensure the proper fit.

Class I

- 1.25" receivers
- Class I hitches are rated for a 2,000 lb. pull weight and a 200 lb. tongue weight.

To ensure that Class II (heavier) accessories are not used in Class I receivers, Class I receivers are generally built with an internal "stop" to prevent the longer Class II accessories from being used. Not all, but most, common Class I receivers are built with this "stop" feature.

Class II

- 2" receivers are Class II, III or IV.
- Class II hitches are rated for a 3,500 lb. pull weight and a 350 lb. tongue weight.

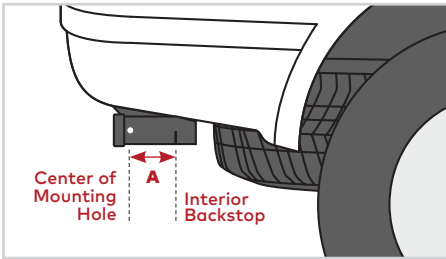
For more information regarding your hitch, please consult an automotive professional or contact the hitch manufacturer.

HITCH RACK FIT MEASUREMENTS

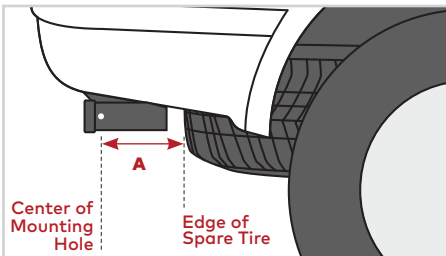
The table below provides the measurements for properly installing specific hitch racks. Measurement must be equal to or greater than the product measurement listed.

FIT MEASUREMENT A

An obstacle inside or behind the hitch can be present. Measure the distance below.

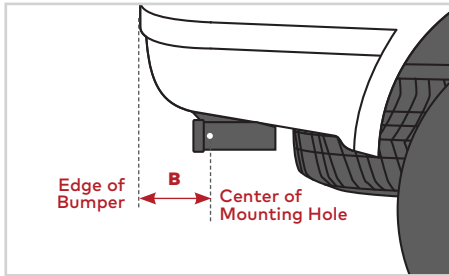


Either scenario is considered an obstacle



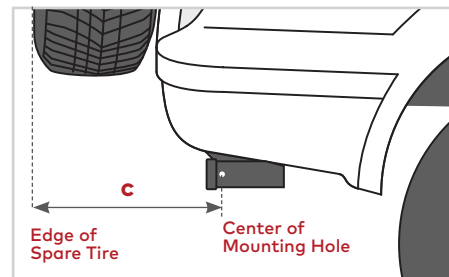
FIT MEASUREMENT B

Make sure the bumper will not interfere with the hitch rack.



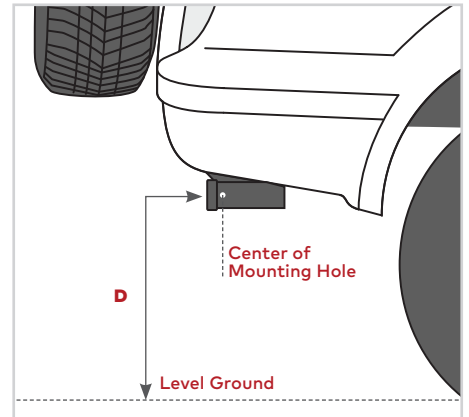
FIT MEASUREMENT C

A spare-tire may interfere with the install of a rack. Measure the distance below.



FIT MEASUREMENT D

Measurement is the distance from the receiver mounting hole to the ground.



HITCH RACK	FIT MEASUREMENT				HITCH SIZE		
	A	B	C	D	1.25" with backstop	1.25" without backstop	2"
BackSwing™	2 7/8" Min.	8 1/4" Max.	6 1/2" Max.				✓
BackRoad™ 2 & 4	2" Min.	8 7/8" Max.	8 7/8" Max.		◆		
DoubleDown™	2" Min.	9 1/8" Max.	9" Max.		◆	✓	✓
Dr.Tray™ 1.25"	3 3/4" Min.	6 1/4" Max.	9" Max.			✓	
Dr.Tray™ 2"	2 7/8" Min.	6 1/2" Max.	9" Max.				✓
FourTimer™	2 3/4" Min.	13 3/8" Max.	14 1/2" Max.				✓
TwoTimer™	1 7/8" Min.	12 1/2" Max.	12 1/2" Max.		◆	✓	✓
FullSwing™	3" Min.	8 3/4" Max.	6 3/4" Max.				✓
FullTilt™ 4/5	1 3/8" Min.	9 1/2" Max.	9 3/4" Max.		◆	✓	✓
HangOver™ 4	3" Min.	8" Max.	13" Max.	10" Min.			✓
HangOver™ 6	3" Min.	8" Max.	13" Max.	12" Min.			✓
HoldUp™ 1.25"	2" Min.	9 1/2" Max.	10 1/2" Max.				
HoldUp™ 2"	2 7/8" Min.	9" Max.	9 3/4" Max.				✓
HoldUp™ EVO 1.25"	3" Min.	5" Max.	8 1/2" Max.			✓	
HoldUp™ EVO 2"	3" Min.	5" Max.	8 1/2" Max.				✓
LiteRider™ 2 & 3	2 3/4" Min.	9" Max.	9" Max.		◆	✓	✓
LongArm™	2 3/4" Min.	8 1/2" Max.	10" Max.				✓
LongHaul™	3 1/8" Min.	4 3/8" Max.	4 1/2" Max.				✓
RidgeBack™ 2, 4 & 5	1 3/8, 2 3/4" Min.	9 1/4, 8" Max.	10" Max.		◆	✓	✓
RoadTrip™	2 7/8" Min.	4 3/8" Max.	10 1/4" Max.				✓
SingleSpeed™	1 5/8" Min.	7 3/4" Max.	12" Max.		◆	✓	✓
SwingDaddy™	3" Min.	6 1/2" Max.	6 3/4" Max.				✓

◆ Due to variations in Class I hitch receivers, some Class I receivers may not be able to accept this product.



Yakima is a registered trademark of Yakima Products, Inc.